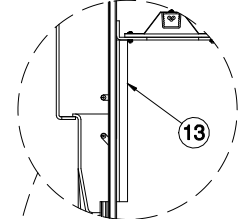


PART NUMBER	BYPASS	DIM "A"	DIM "B"	DIM "C"
45521	CAV	30	32	24
45531	CAV	36	38	30
45522	VAV	30	32	24
45532	VAV	36	38	30

INTERNATIONAL 220V/50Hz AC

45524	CAV	30	32	24
45534	CAV	36	38	30

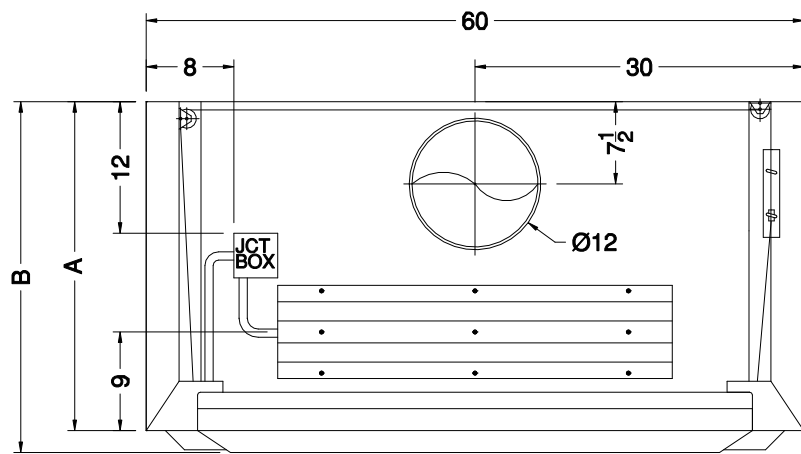
ALL OF THE ABOVE HAVE VAPOR PROOF LIGHT FIXTURES



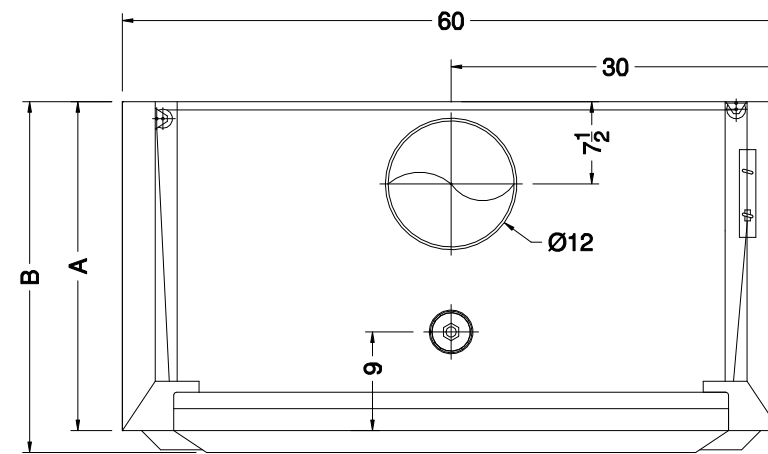
DETAIL B
VAV RESTRICTED
PANEL

PART NUMBER	BYPASS	DIM "A"	DIM "B"	DIM "C"
45523	CAV	30	32	24
45533	CAV	36	38	30

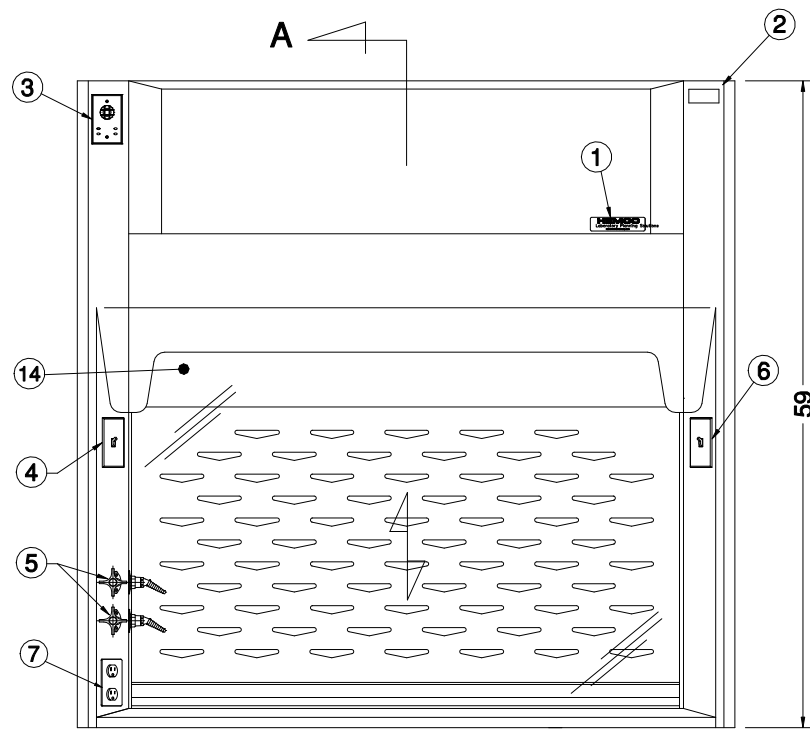
ALL OF THE ABOVE HAVE EXPLOSION PROOF LIGHT FIXTURES



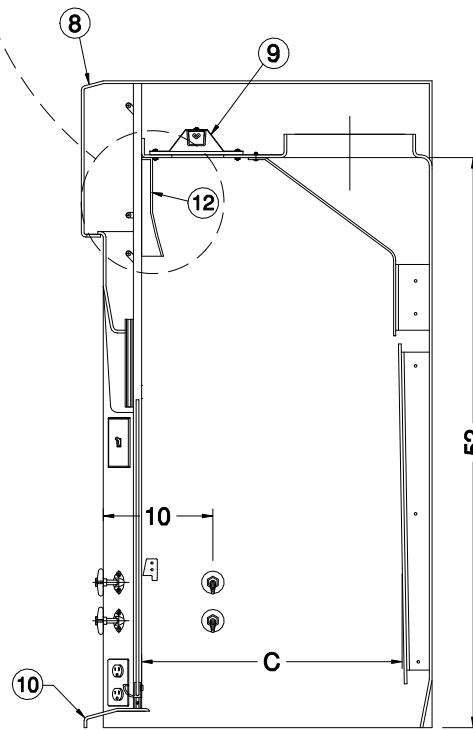
TOP VIEW



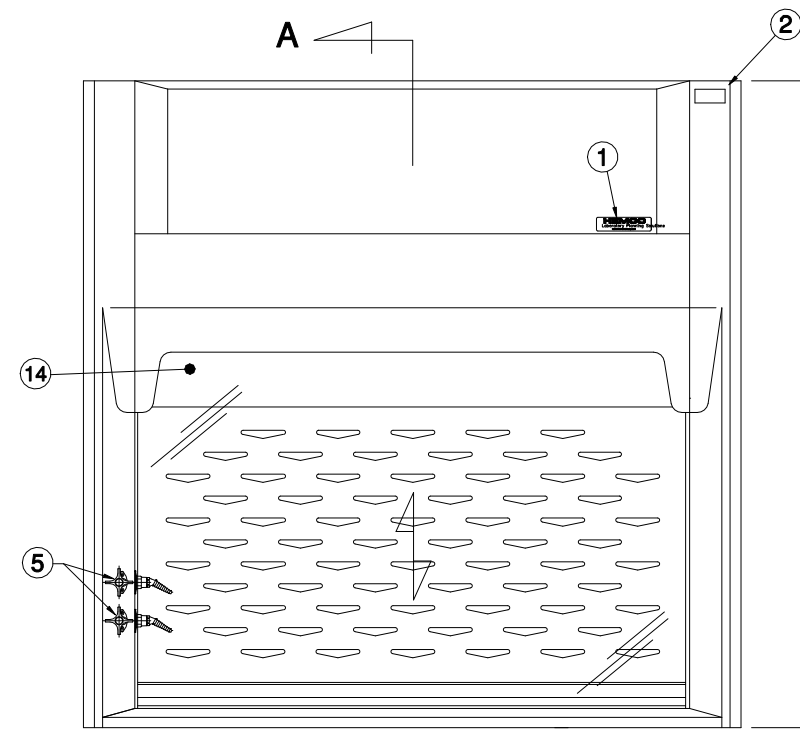
TOP VIEW



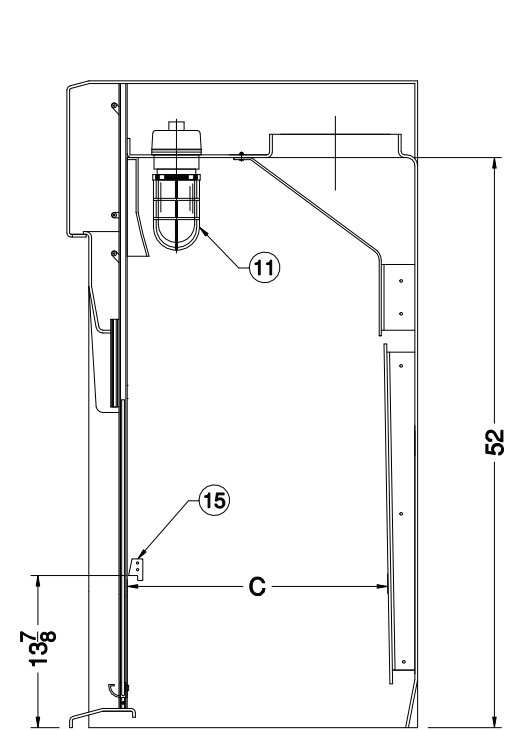
FRONT VIEW



SECTION A-A



FRONT VIEW



SECTION A-A

- | | |
|---|--|
| 1. NAME PLATE | 9. LED LIGHT FIXTURE 115V UL LISTED |
| 2. SERIAL # & I.D. PLATE | 10. AIR FOIL |
| 3. AIR FLOW MONITOR 12V 115VAC (OPT) | 11. EXPLOSION PROOF LIGHT FIXTURE CLASS I DIV II |
| 4. LIGHT SWITCH LEFT OR RIGHT (OPT) | 12. CAV BAFFLE SYSTEM |
| 5. SERVICE FIXTURES LEFT OR RIGHT (OPT) | 13. VAV RESTRICTED PANEL |
| 6. BLOWER SWITCH (OPT) | 14. FIXED GLASS PANEL |
| 7. DUPLEX RECEPT. 115-230 15A 20A GFI (OPT) | 15. SASH STOP |
| 8. REMOVABLE ACCESS PANEL | |

NOTE: ALL ELECTRICAL COMPONENTS UL AND CSA LISTED

UNIFLOW 60" SE AIRE STREAM FUME HOOD
HEMCO Corporation

DRAWN BY: **HDK** DATE: **05/11/19** DWG. NO. **STD-45500**

PROPRIETARY AND CONFIDENTIAL
THE INFORMATION CONTAINED IN THIS DRAWING IS THE SOLE PROPERTY OF HEMCO CORPORATION. ANY REPRODUCTION IN PART OR AS A WHOLE WITHOUT THE WRITTEN PERMISSION OF HEMCO CORPORATION IS PROHIBITED.
PLANS & DRAWINGS ARE COPYRIGHTED BY *R. E. Hill* DATE **02/11/19**
SCALE: **1" = 1'-0"**
MODEL NO.:
SHEET **1** OF **1**

HEMCO
Laboratory Planning Solutions
711 S. Powell Rd.
Independence, MO 64056
PH: 816-796-2900
FAX: 816-796-3333
www.HEMCOcorp.com

REV: **A**