

PART NUMBER	BYPASS	DIM "A"	DIM "B"	DIM "C"
45621	CAV	30	32	24
45631	CAV	36	38	30
45622	VAV	30	32	24
45632	VAV	36	38	30

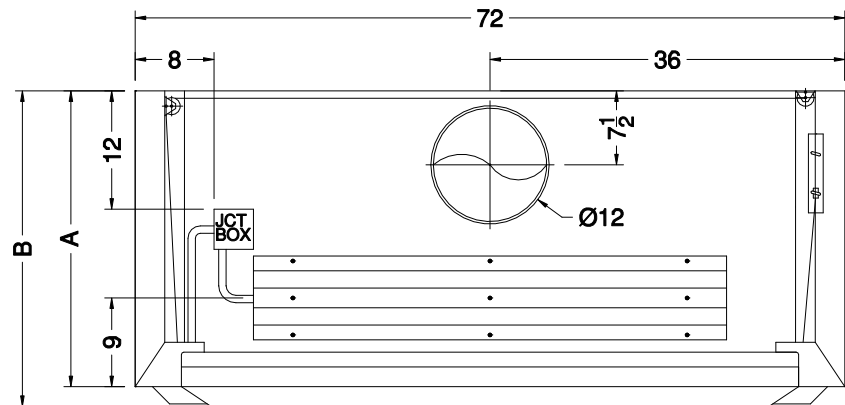
INTERNATIONAL 220V/50Hz AC

45624	CAV	30	32	24
45634	CAV	36	38	30

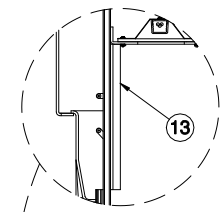
ALL OF THE ABOVE HAVE VAPOR PROOF LIGHT FIXTURES

PART NUMBER	BYPASS	DIM "A"	DIM "B"	DIM "C"
45623	CAV	30	32	24
45633	CAV	36	38	30

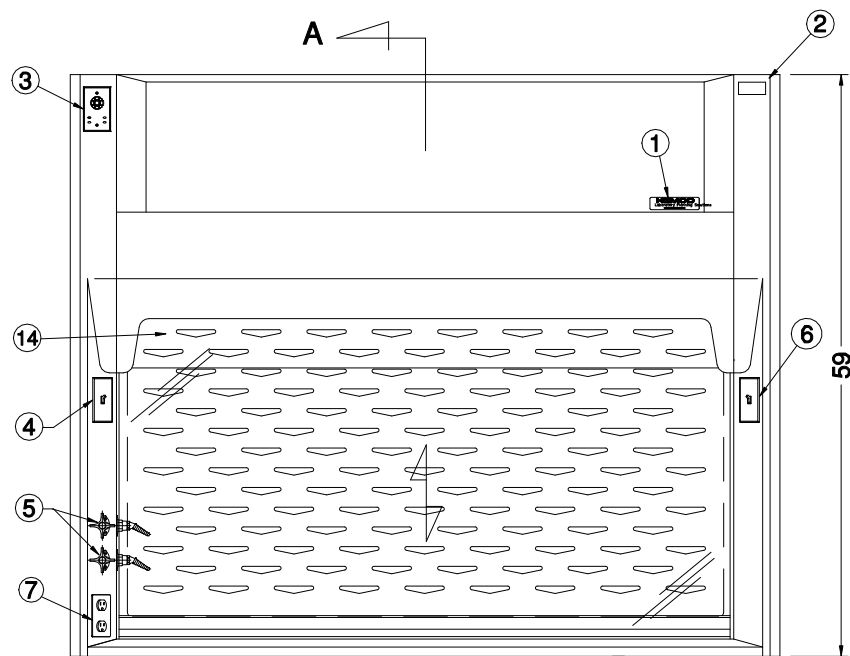
ALL OF THE ABOVE HAVE EXPLOSION PROOF LIGHT FIXTURES



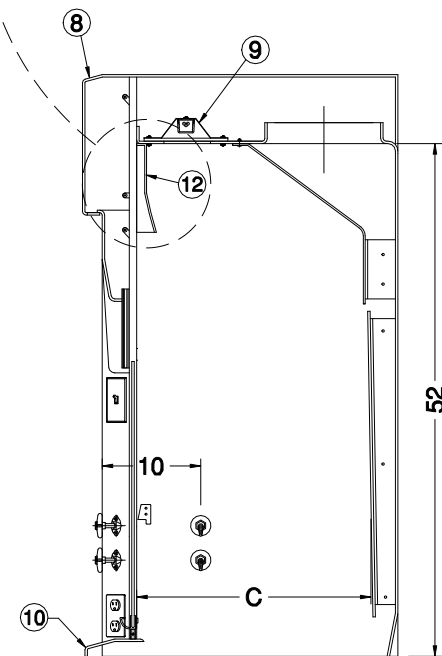
TOP VIEW



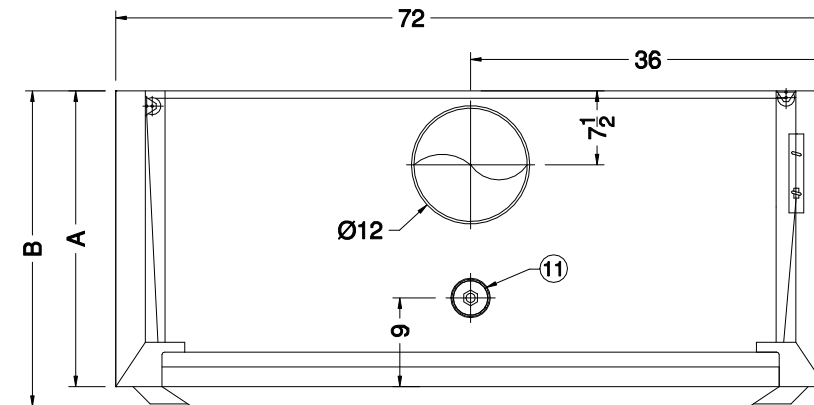
DETAIL B
VAV RESTRICTED
PANEL



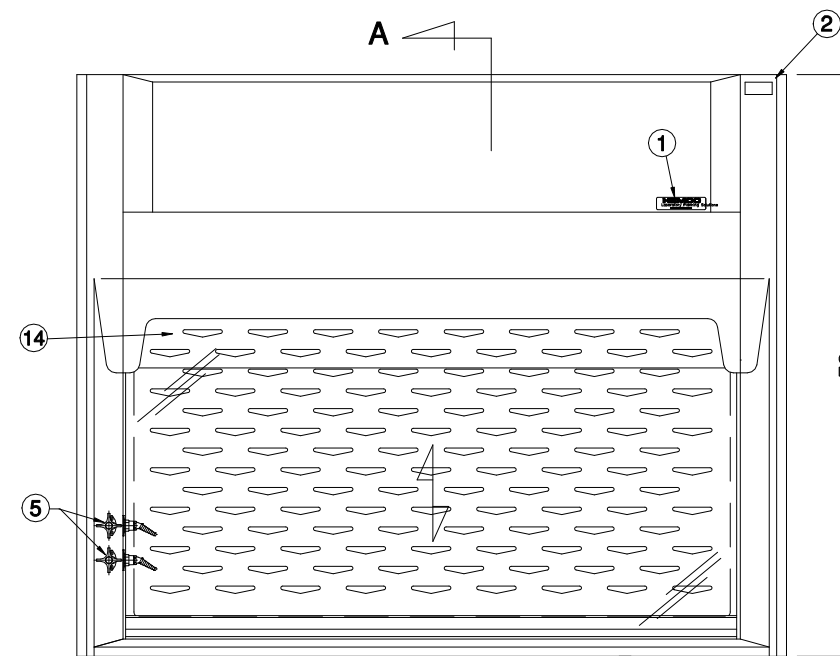
FRONT VIEW



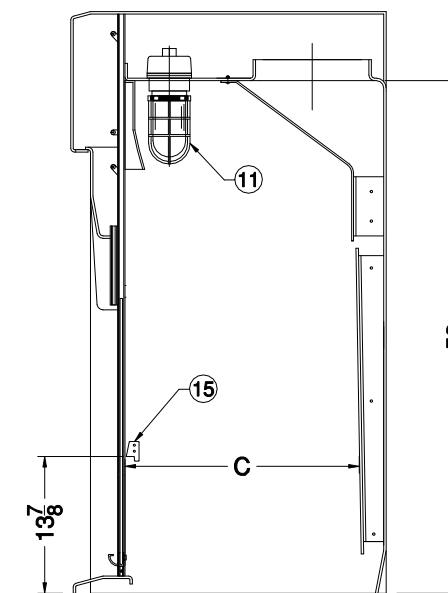
SECTION A-A



TOP VIEW



FRONT VIEW



SECTION A-A

- | | |
|---|--|
| 1. NAME PLATE | 9. LED LIGHT FIXTURE 115V UL LISTED |
| 2. SERIAL # & I.D. PLATE | 10. AIR FOIL |
| 3. AIR FLOW MONITOR 12V 115VAC (OPT) | 11. EXPLOSION PROOF LIGHT FIXTURE CLASS I DIV II |
| 4. LIGHT SWITCH LEFT OR RIGHT (OPT) | 12. CAV BAFFLE SYSTEM |
| 5. SERVICE FIXTURES LEFT OR RIGHT (OPT) | 13. VAV RESTRICTED PANEL |
| 6. BLOWER SWITCH (OPT) | 14. FIXED GLASS PANEL |
| 7. DUPLEX RECEPT. 115-230 15A 20A GFI (OPT) | 15. SASH STOP |
| 8. REMOVABLE ACCESS PANEL | |

NOTE: ALL ELECTRICAL COMPONENTS UL AND CSA LISTED

UNIFLOW 72" SE AIRE STREAM FUME HOOD

HEMCO Corporation

DRAWN BY: HDK DATE: 05/11/19 DWG. NO. STD-45600

PROPRIETARY AND CONFIDENTIAL

MODEL NO:

THE INFORMATION CONTAINED IN THIS DRAWING IS THE SOLE PROPERTY OF HEMCO CORPORATION. ANY REPRODUCTION IN PART OR AS A WHOLE WITHOUT THE WRITTEN PERMISSION OF HEMCO CORPORATION IS PROHIBITED.

SCALE: 1" = 1'-0"

PLANS & DRAWINGS ARE COPYRIGHTED BY R. E. Hill DATE 02/11/19

SHEET 1 OF 1

HEMCO

711 S. Powell Rd.
Independence, MO 64056
PH: 816-796-2900
FAX: 816-796-3333

Laboratory Planning Solutions www.HEMCOcorp.com

REV:

A