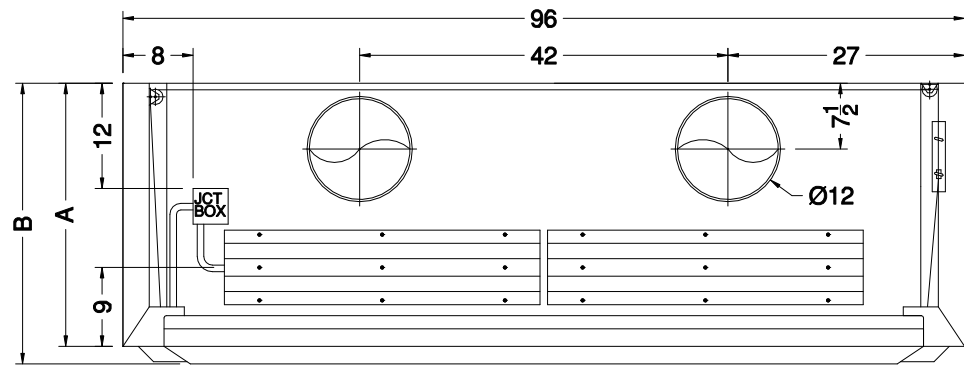


PART NUMBER	BYPASS	DIM "A"	DIM "B"	DIM "C"
45821	CAV	30	32	24
45831	CAV	36	38	30
45822	VAV	30	32	24
45832	VAV	36	38	30

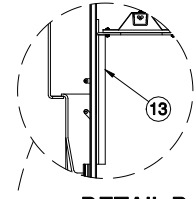
INTERNATIONAL 220V/50Hz AC

45824	CAV	30	32	24
45834	CAV	36	38	30

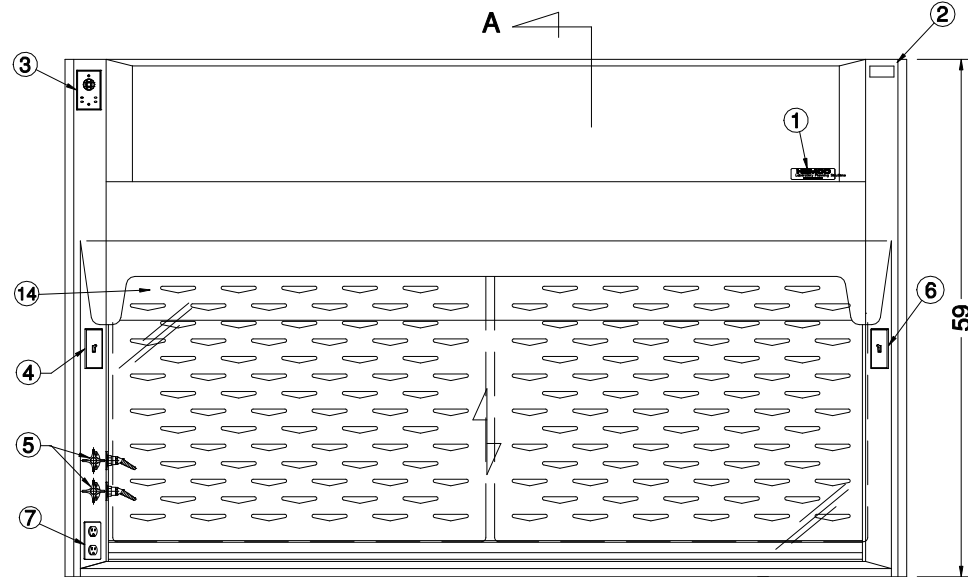
ALL OF THE ABOVE HAVE VAPOR PROOF LIGHT FIXTURES



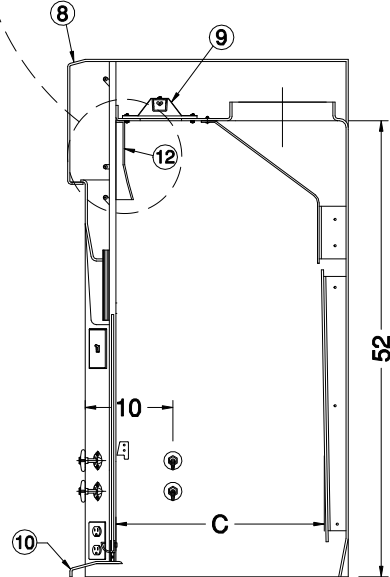
TOP VIEW



DETAIL B  
VAV RESTRICTED  
PANEL



FRONT VIEW



SECTION A-A

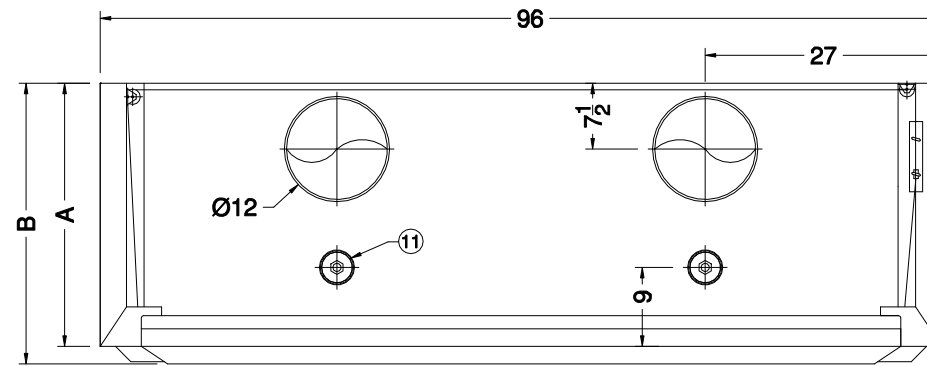
1. NAME PLATE
2. SERIAL # & I.D. PLATE
3. AIR FLOW MONITOR 12V 115VAC (OPT)
4. LIGHT SWITCH LEFT OR RIGHT (OPT)
5. SERVICE FIXTURES LEFT OR RIGHT (OPT)
6. BLOWER SWITCH (OPT)
7. DUPLEX RECEPT. 115-230 15A 20A GFI (OPT)
8. REMOVABLE ACCESS PANEL

9. LED LIGHT FIXTURE 115V UL LISTED
10. AIR FOIL
11. EXPLOSION PROOF LIGHT FIXTURE CLASS I DIV II
12. CAV BAFFLE SYSTEM
13. VAV RESTRICTED PANEL
14. FIXED GLASS PANEL
15. SASH STOP

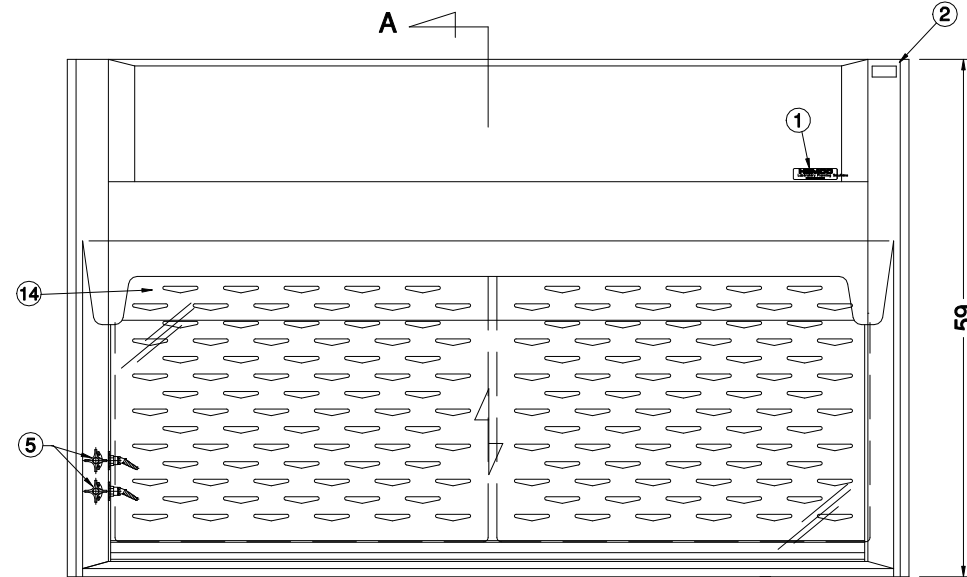
NOTE: ALL ELECTRICAL COMPONENTS UL AND CSA LISTED

PART NUMBER	BYPASS	DIM "A"	DIM "B"	DIM "C"
45823	CAV	30	32	24
45833	CAV	36	38	30

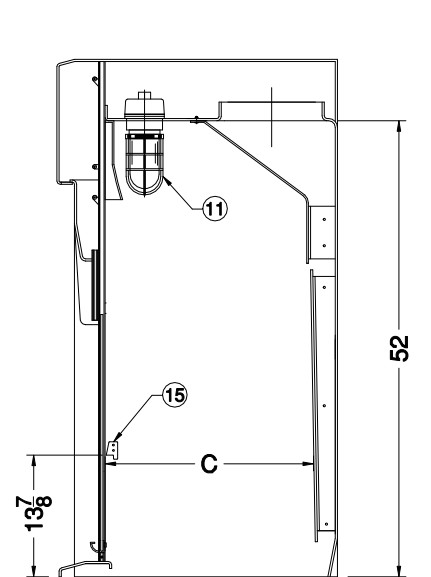
ALL OF THE ABOVE HAVE EXPLOSION PROOF LIGHT FIXTURES



TOP VIEW



FRONT VIEW



SECTION A-A

## UNIFLOW 96" SE AIRE STREAM FUME HOOD

HEMCO Corporation

DRAWN BY: HDK DATE: 05/11/19 DWG. NO. STD-45800

PROPRIETARY AND CONFIDENTIAL

MODEL NO:

THE INFORMATION CONTAINED IN THIS DRAWING IS THE SOLE PROPERTY OF HEMCO CORPORATION. ANY REPRODUCTION IN PART OR AS A WHOLE WITHOUT THE WRITTEN PERMISSION OF HEMCO CORPORATION IS PROHIBITED.

SCALE: 1" = 1'-0"

PLANS & DRAWINGS ARE COPYRIGHTED BY R. E. Hill DATE 02/11/19

SHEET 1 OF 1

**HEMCO**

711 S. Powell Rd.  
Independence, MO 64056  
PH: 816-796-2900  
FAX: 816-796-3333

Laboratory Planning Solutions www.HEMCOcorp.com

REV:

**A**