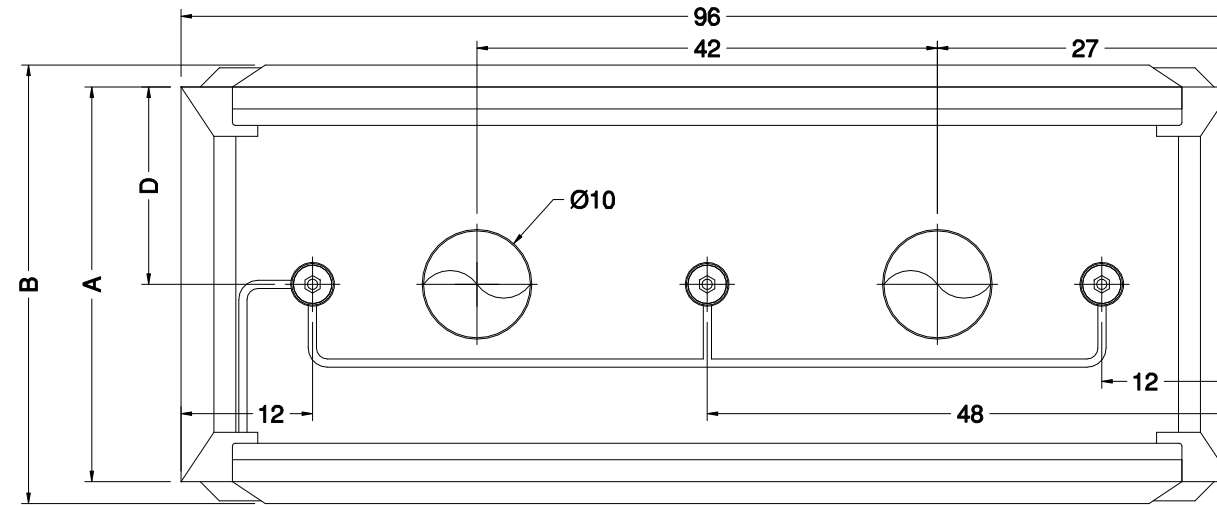


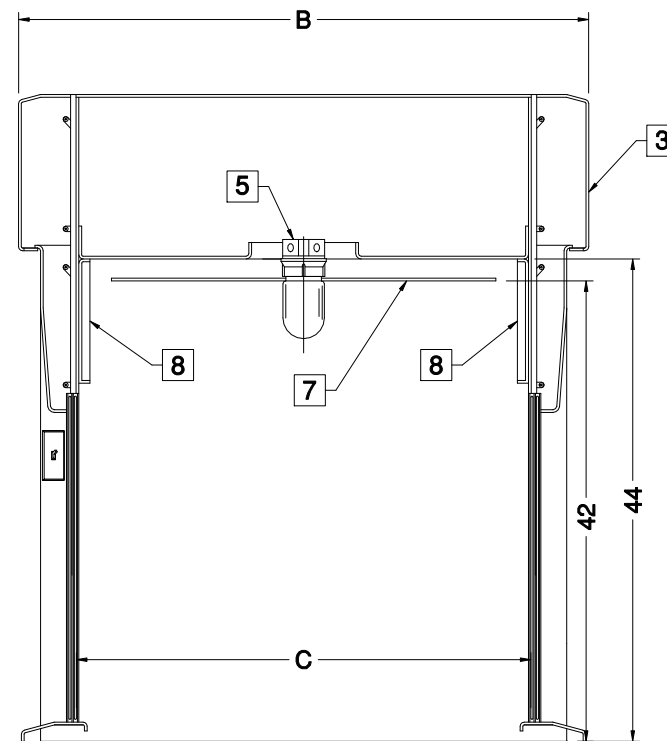
1. NAME PLATE
2. SERIAL # & I.D. PLATE
3. REMOVABLE ACCESS PANEL
4. LIGHT SWITCH LEFT OR RIGHT (OPT)
5. LED LIGHT FIXTURE 115V UL LISTED
6. AIR FOIL
7. BAFFLE SYSTEM
8. RESTRICTED BYPASS

PART NUMBER	DIM "A"	DIM "B"	DIM "C"
12180	30	34	15
12380	36	40	18
12280	48	52	24

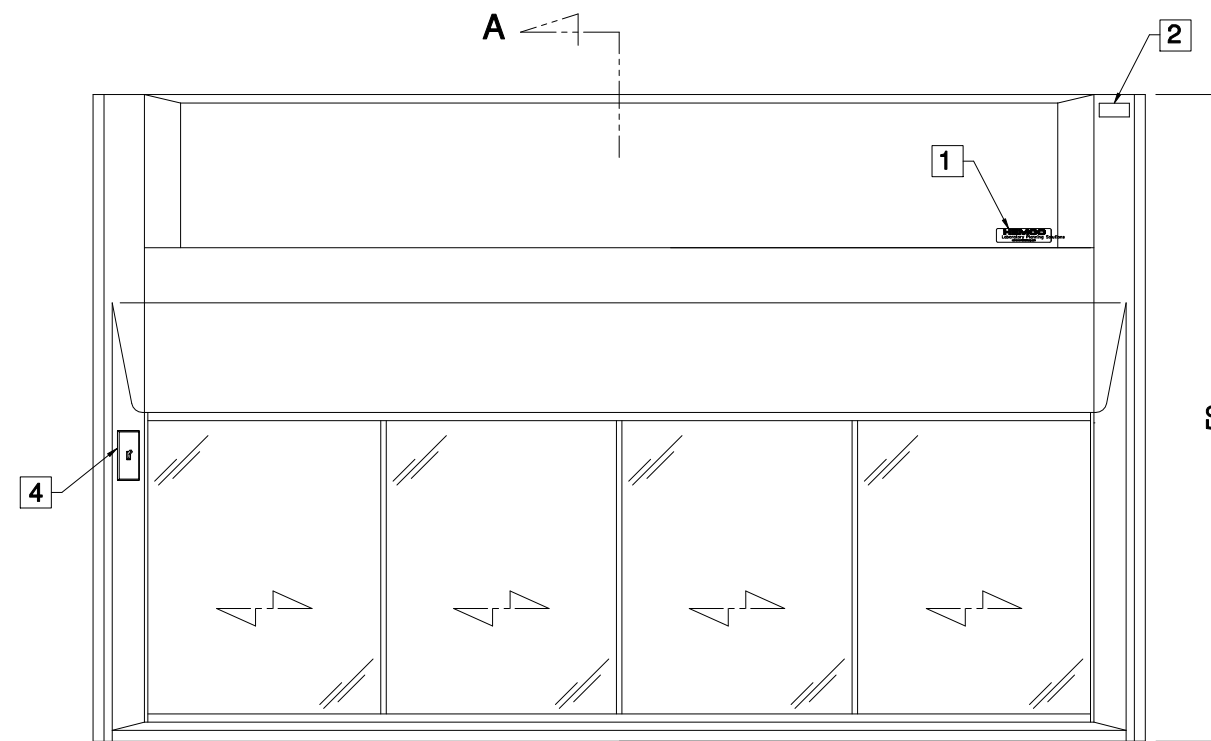
NOTE:  
ALL ELECTRICAL COMPONENTS  
UL AND CSA LISTED



TOP VIEW



SECTION A-A



FRONT VIEW

**UNIFLOW 96" SE DUAL ENTRY FUME HOOD  
WITH VAPOR PROOF LIGHT**

DRAWN BY: **HDK** DATE: **05/11/19** DWG. NO. **LE-DE 96W**

PROPRIETARY AND CONFIDENTIAL  
THE INFORMATION CONTAINED IN THIS DRAWING IS THE SOLE PROPERTY OF HEMCO CORPORATION. ANY REPRODUCTION IN PART OR AS A WHOLE WITHOUT THE WRITTEN PERMISSION OF HEMCO CORPORATION IS PROHIBITED.  
PLANS & DRAWINGS ARE COPYRIGHTED BY *R. E. Hill* DATE **02/11/19**

MODEL NO:  
SCALE: **1" = 1'-0"**  
SHEET **1** OF **1**  
REV: **A**  
**HEMCO**  
Laboratory Planning Solutions  
711 S. Powell Rd.  
Independence, MO 64056  
PH: 816-796-2900  
FAX: 816-796-3333  
www.HEMCOcorp.com