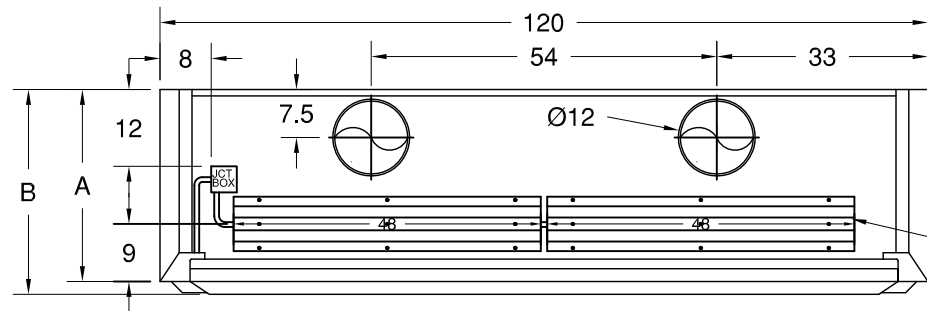


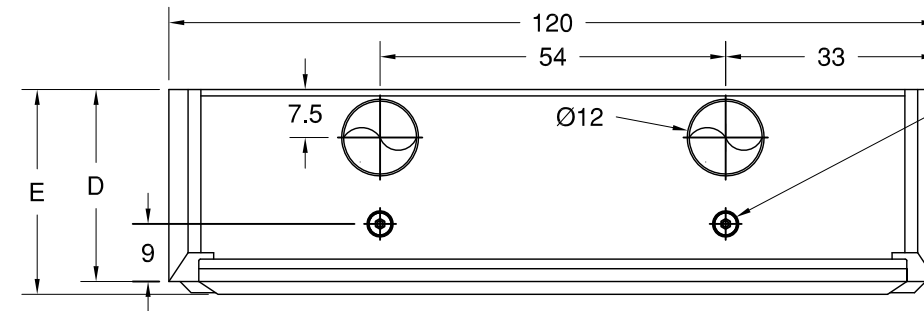
PART NUMBER	DIM "A"	DIM "B"	DIM "C"
11100	30	32	22
11102	36	38	28
11103	48	50	40
INTERNATIONAL 220V/50Hz AC			
11102	30	32	22
11103	36	38	28
11104	48	50	40



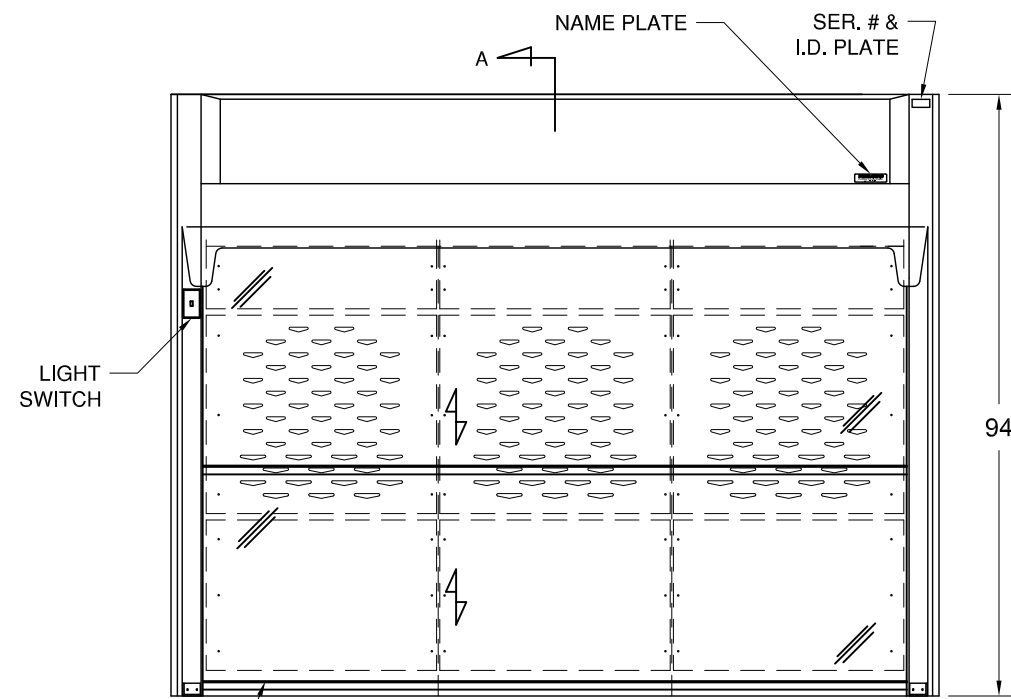
SEE VAPOR PROOF LED LIGHT FIXTURE DETAIL

PART NUMBER	DIM "D"	DIM "E"	DIM "F"
11101	30	32	22
11104	36	38	28
11105	48	50	40

ALL OF THE ABOVE HAVE EXPLOSION PROOF LIGHT FIXTURES

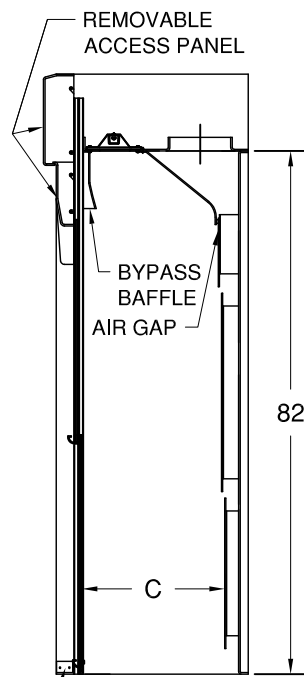


EXPLOSION PROOF LIGHT FIXTURE
115V, 300W, UL LISTED
CLASS I DIV II
INSTALLED BUT NOT WIRED
SWITCH NOT INCLUDED

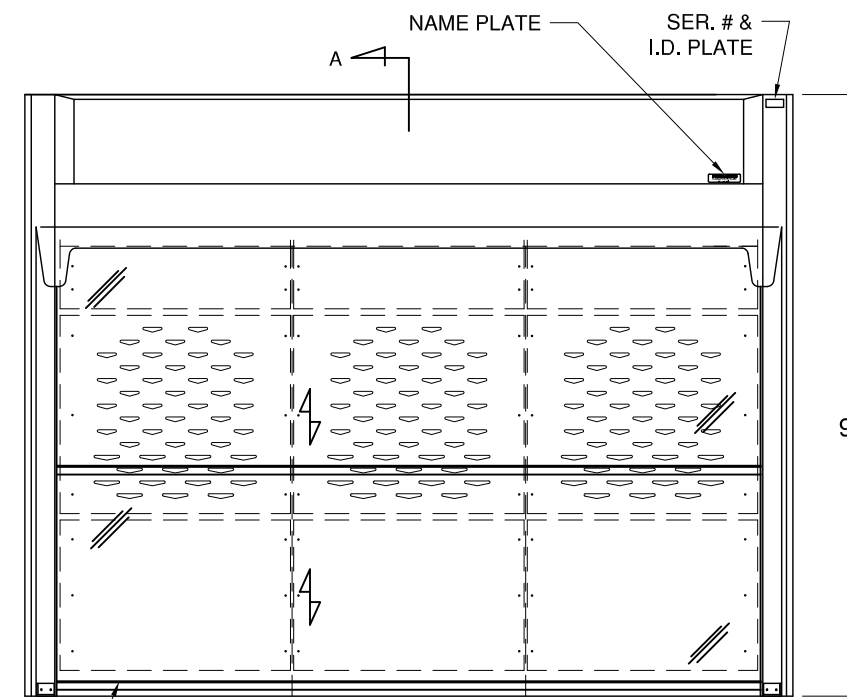


FRONT VIEW

SASH ASSEMBLY
SEE DRAWING
2X 35" SASH HT
70" VIEW HT
109" VIEW WD

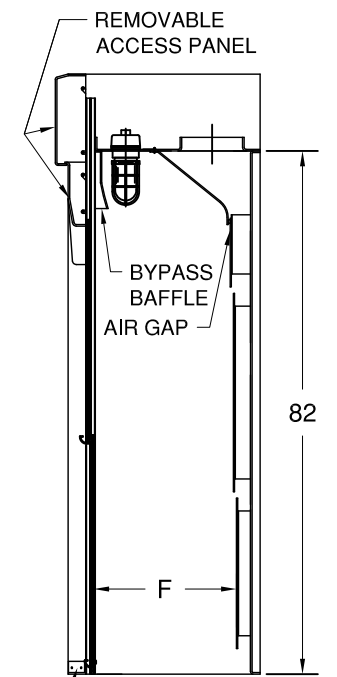


FLOOR MOUNT SECTION A-A



FRONT VIEW

SASH ASSEMBLY
SEE DRAWING
2X 35" SASH HT
70" VIEW HT
109" VIEW WD



FLOOR MOUNT SECTION A-A

UNIFLOW FM SE FLOOR MOUNT FUME HOOD 120" W/ STANDARD VERTICAL SASH				
SCALE: 1" = 30"	APPROVED BY:	DATE:	REVISION:	DATE:
DRAWN BY: MEF	REP:	QUOTE No:		
DATE: 10/6/17	PROJECT MGR:	DATE:		
HEMCO Corporation www.HEMCOcorp.com		© PLANS AND DRAWINGS ARE COPYRIGHTED		DWG. NO. SE-FM-120W-VS ARCAT
711 S. POWELL RD INDEPENDENCE, MO 64056 PH:816-796-2900 FAX:816-796-3333		BY <i>R. E. Hill</i> DATE 10/9/17		SHEET. 1 OF 1

NOTE: ALL ELECTRICAL COMPONENTS
UL AND CSA LISTED