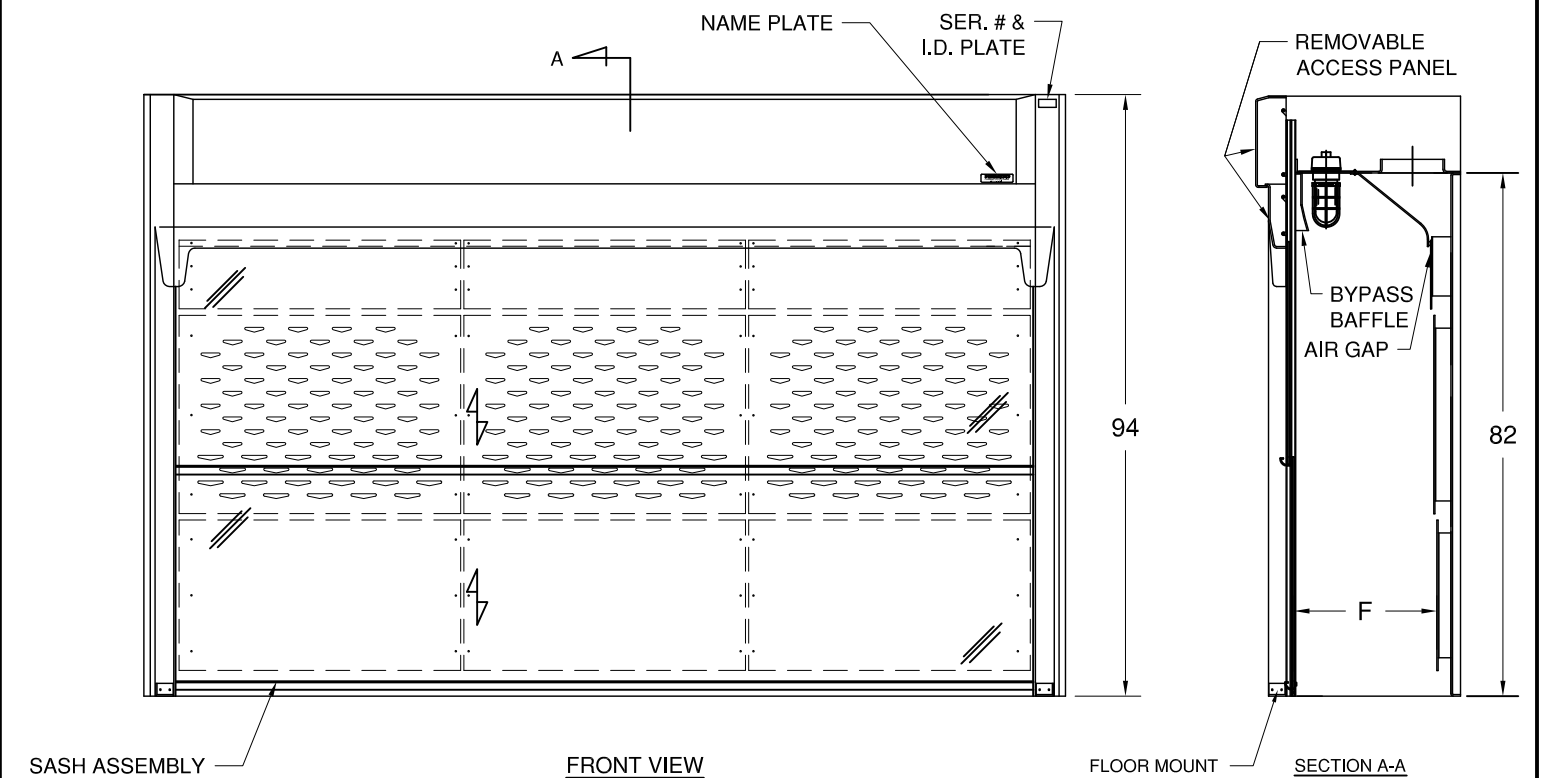
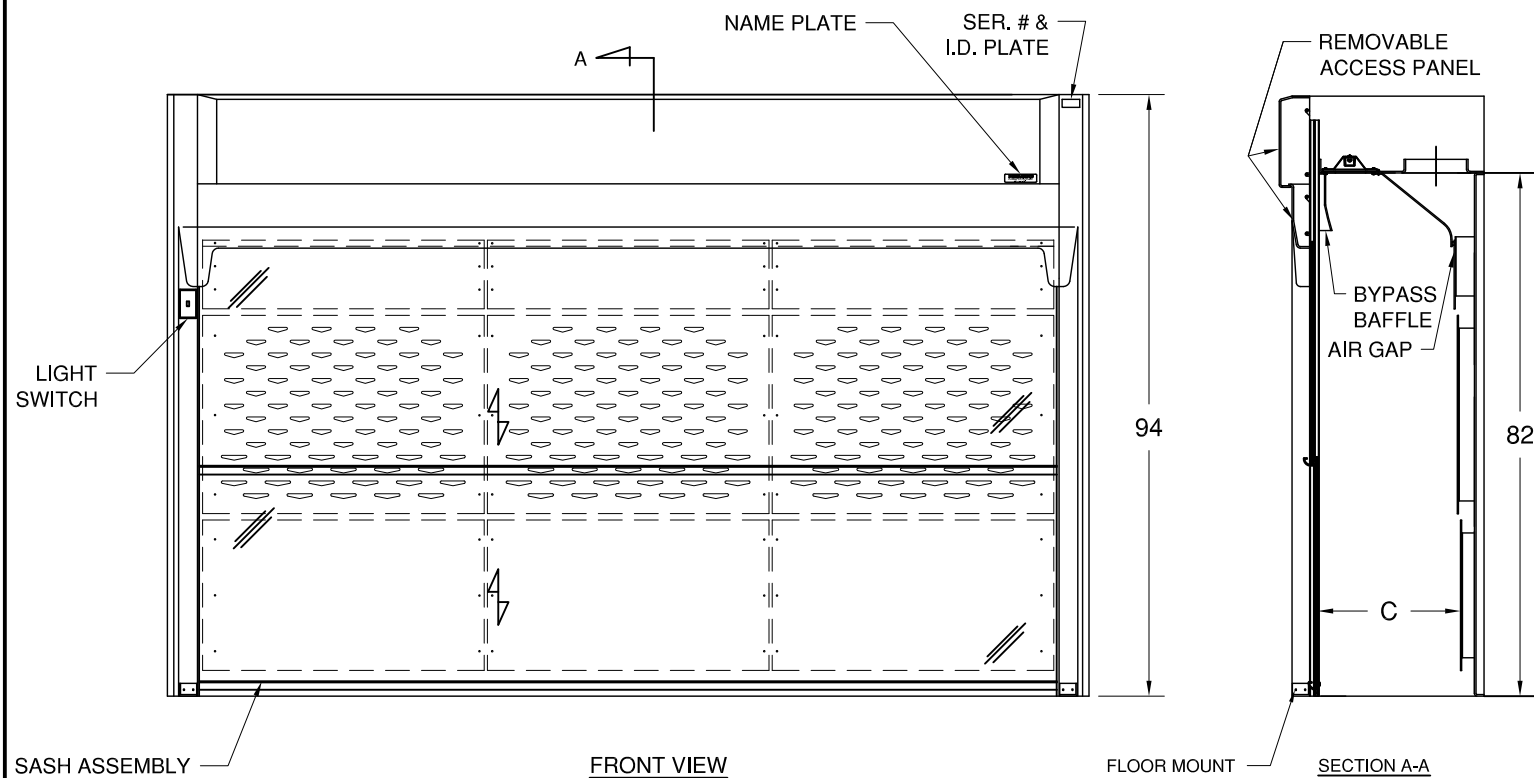
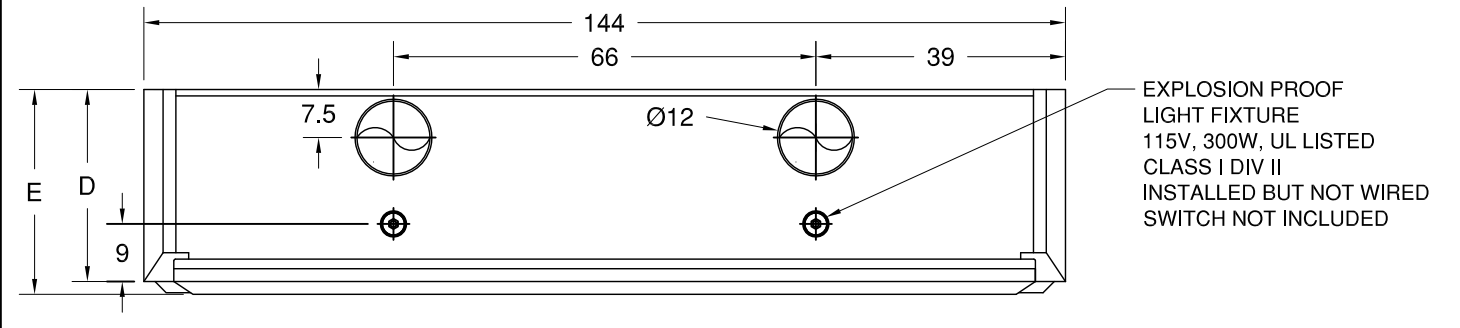
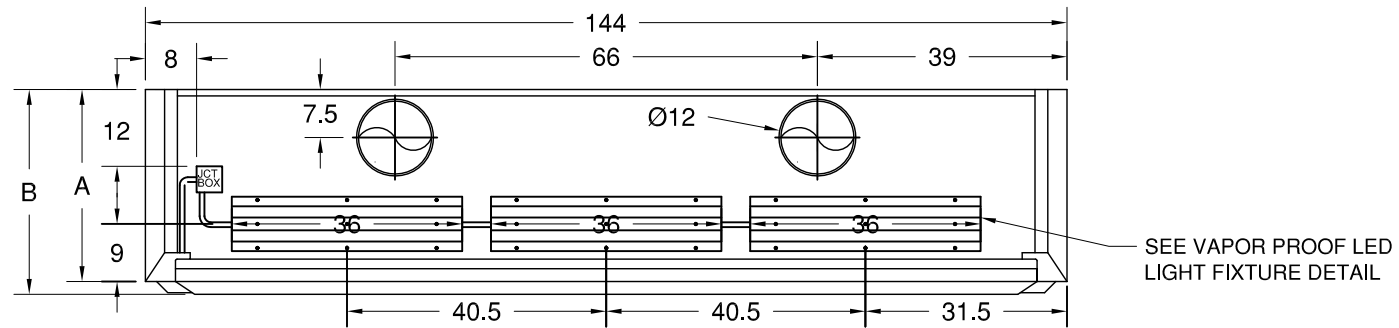


PART NUMBER	DIM "A"	DIM "B"	DIM "C"
11120	30	32	22
11122	36	38	28
11125	48	50	40
INTERNATIONAL 220V/50Hz AC			
11128	30	32	22
11129	36	38	28
11130	48	50	40

PART NUMBER	DIM "D"	DIM "E"	DIM "F"
11121	30	32	22
11126	36	38	28
11127	48	50	40

ALL OF THE ABOVE HAVE EXPLOSION PROOF LIGHT FIXTURES



SASH ASSEMBLY  
SEE DRAWING  
2X 35" SASH HT  
70" VIEW HT  
134" VIEW WD

SASH ASSEMBLY  
SEE DRAWING  
2X 35" SASH HT  
70" VIEW HT  
134" VIEW WD

UNIFLOW FM SE FLOOR MOUNT FUME HOOD 144" W/ STANDARD VERTICAL SASH				
SCALE: 1" = 30"	APPROVED BY:	DATE:	REVISION:	DATE:
DRAWN BY: MEF	REP:	QUOTE No:		
DATE: 10/09/17	PROJECT MGR:	DATE:		
<b>HEMCO Corporation</b> www.HEMCOcorp.com		© PLANS AND DRAWINGS ARE COPYRIGHTED	DWG. NO. SE-FM-144W-VS ARCAT	
711 S. POWELL RD INDEPENDENCE, MO 64056 PH:816-796-2900 FAX:816-796-3333		BY: <i>R. E. Hill</i> DATE: 10/9/17	SHEET. 1 OF 1	

NOTE: ALL ELECTRICAL COMPONENTS  
UL AND CSA LISTED