

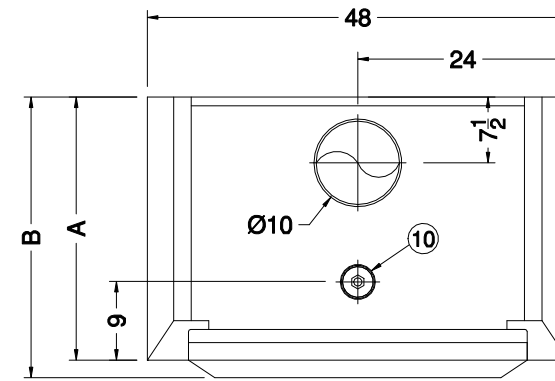
TOP VIEW

PART NUMBER	DIM "A"	DIM "B"
11048	30	22
11042	36	28
11043	48	40

INTERNATIONAL 220V/50Hz AC

11142	30	22
11143	36	28
11144	48	40

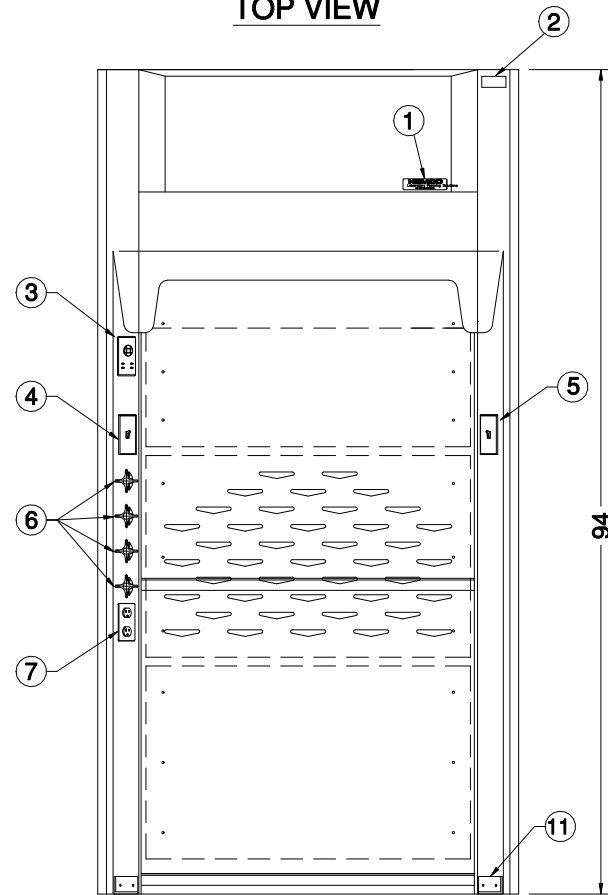
ALL OF THE ABOVE HAVE VAPOR PROOF LIGHT FIXTURES



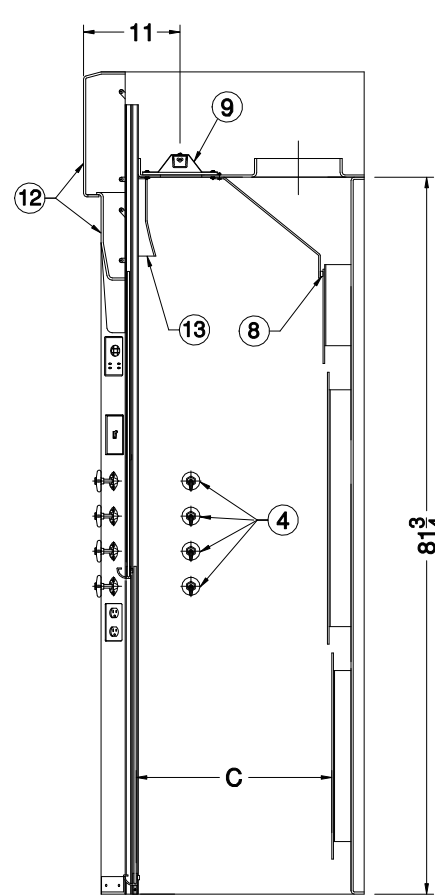
TOP VIEW

PART NUMBER	DIM "C"	DIM "D"
11041	30	22
11044	36	28
11045	48	40

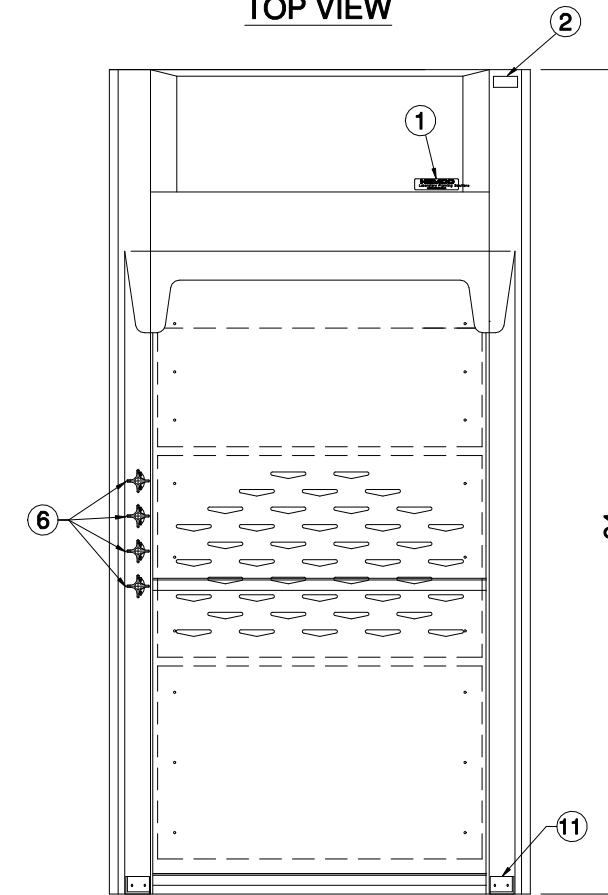
ALL OF THE ABOVE HAVE EXPLOSION PROOF LIGHT FIXTURES



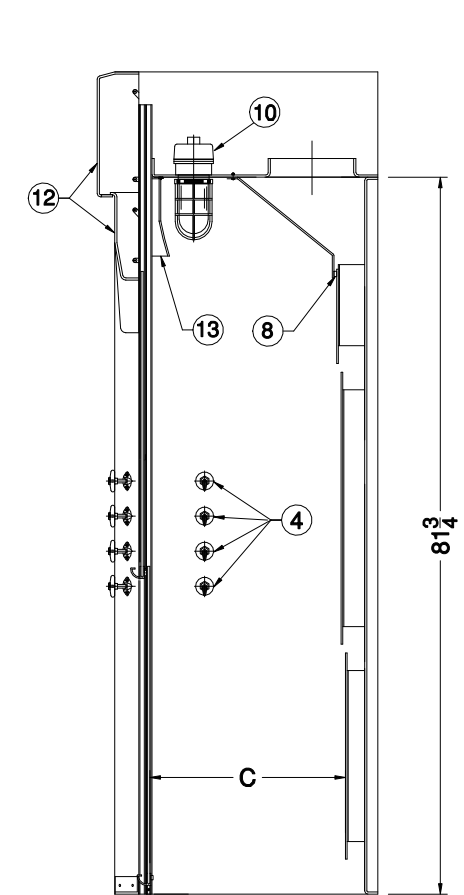
FRONT VIEW



SECTION A-A



FRONT VIEW



SECTION A-A

NOTES:

1. NAME PLATE
2. SER. # & I.D. PLATE
3. AIR FLOW MONITOR 12V 115VAC (OPT)
4. LIGHT SWITCH
5. BLOWER SWITCH (OPT)
6. SERVICE FIXTURES LEFT OR RIGHT (OPT)
7. DUPLEX RECEPTACLE 115-230 15A 20A GFI (OPT)
8. AIR GAP
9. VAPOR PROOF LED LIGHT FIXTURE
10. EXPLOSION PROOF LIGHT FIXTURE
11. FLOOR MOUNT
12. REMOVABLE ACCESS PANEL
13. BYPASS BAFFLE

UNIFLOW SE FM 48" FLOOR MOUNT FUME HOOD  
HEMCO Corporation

DRAWN BY: HDK DATE: 05/11/19 DWG. NO. SE-FM-48W

PROPRIETARY AND CONFIDENTIAL  
THE INFORMATION CONTAINED IN THIS DRAWING IS THE SOLE PROPERTY OF HEMCO CORPORATION. ANY REPRODUCTION IN PART OR AS A WHOLE WITHOUT THE WRITTEN PERMISSION OF HEMCO CORPORATION IS PROHIBITED.  
PLANS & DRAWINGS ARE COPYRIGHTED BY R. E. Hill DATE 02/11/19

711 S. Powell Rd.  
Independence, MO 64056  
PH: 816-796-2900  
FAX: 816-796-3333  
www.HEMCOcorp.com

REV: A

Laboratory Planning Solutions

MODEL NO:  
SCALE:  
1" = 1'-0"  
SHEET 1 OF 1