

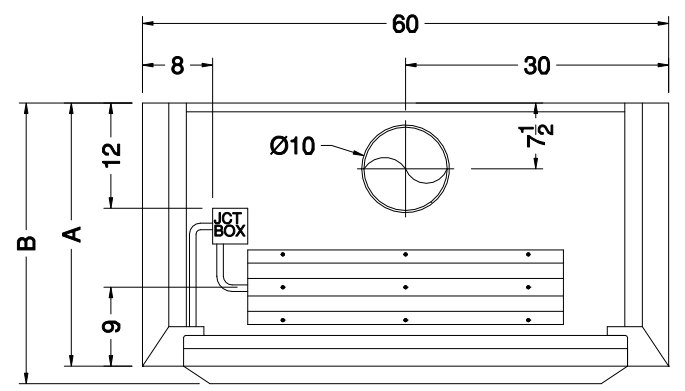
PART NUMBER	DIM "A"	DIM "B"
11050	30	22
11052	36	28
11053	48	40

INTERNATIONAL 220V/50Hz AC  
 11152 30 22  
 11153 36 28  
 11154 48 40

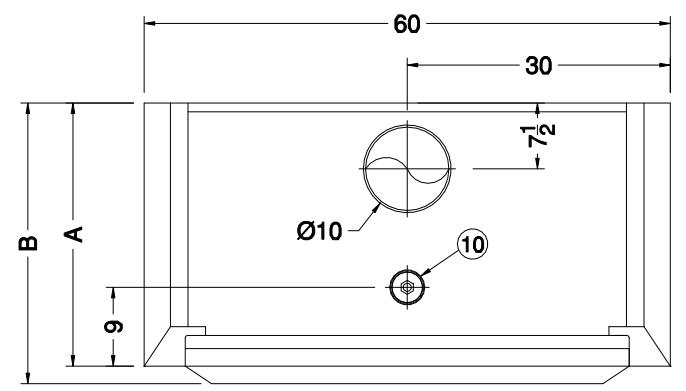
ALL OF THE ABOVE HAVE VAPOR  
 PROOF LIGHT FIXTURES

PART NUMBER	DIM "C"	DIM "D"
11051	30	22
11054	36	28
11055	48	40

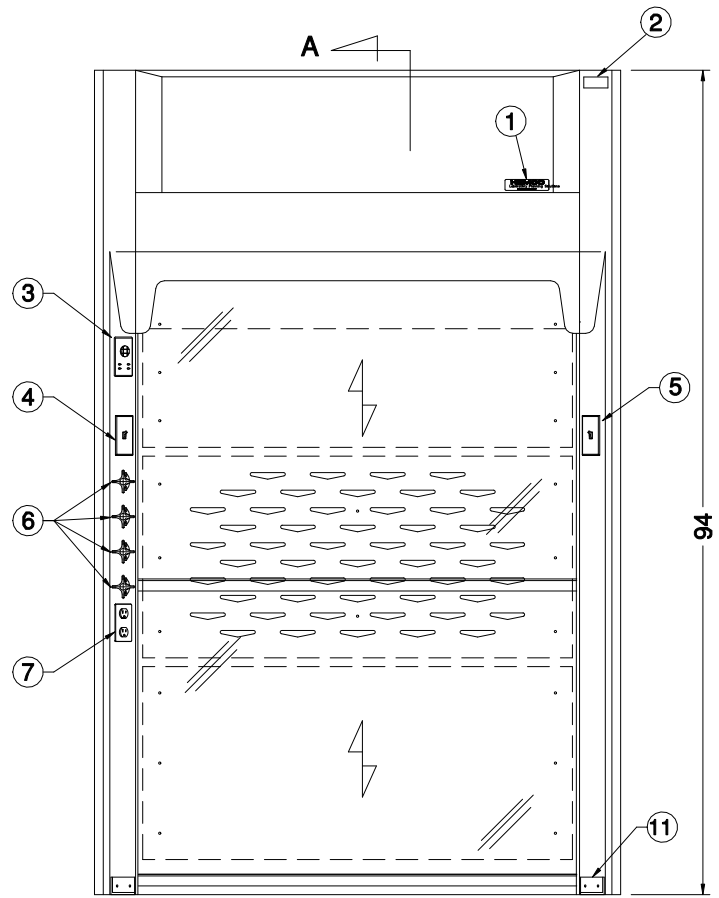
ALL OF THE ABOVE HAVE EXPLOSION  
 PROOF LIGHT FIXTURES



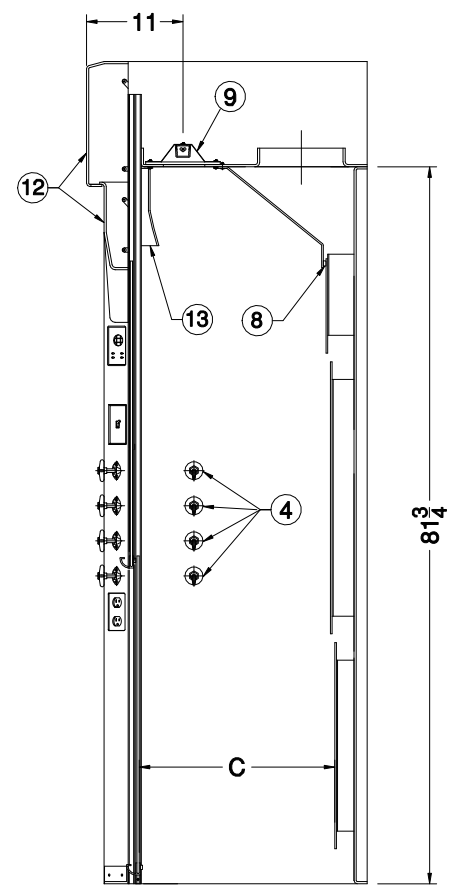
TOP VIEW



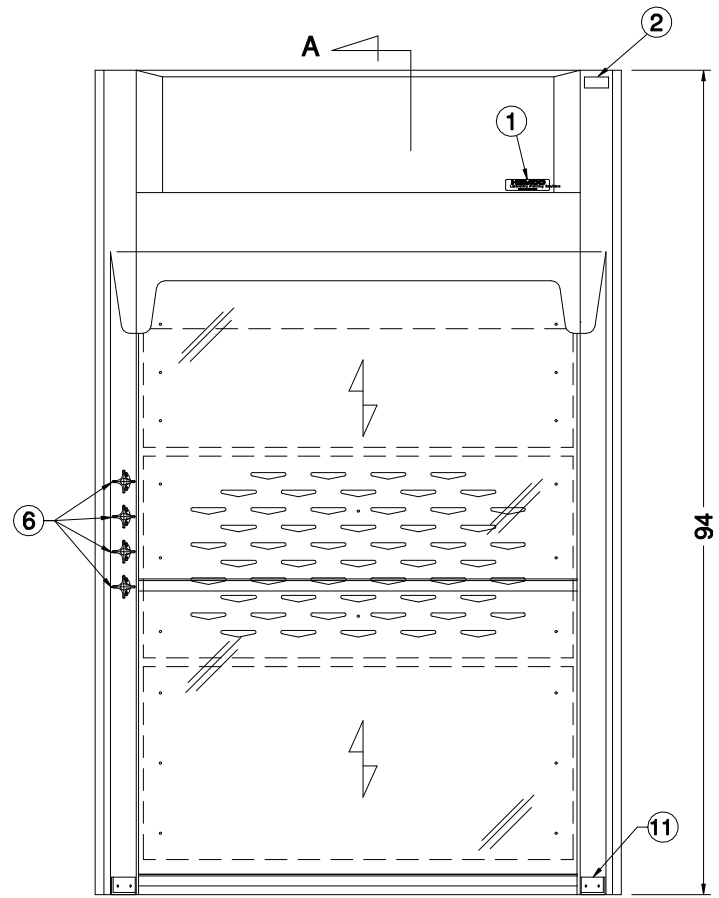
TOP VIEW



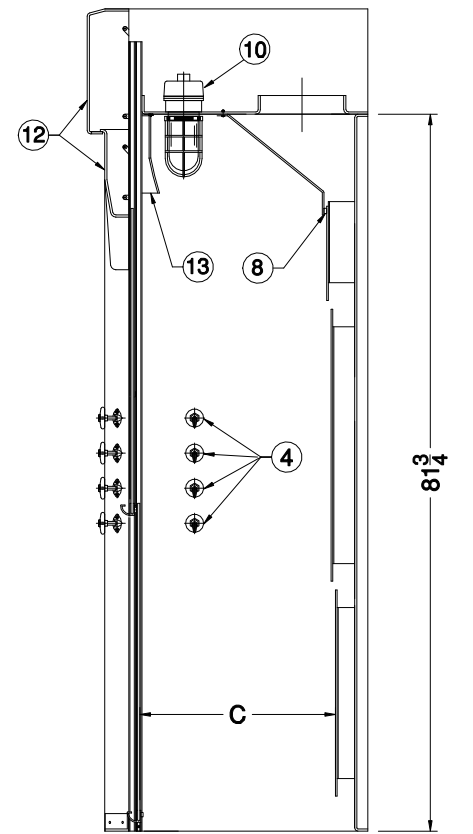
FRONT VIEW



SECTION A-A



FRONT VIEW



SECTION A-A

- NOTES:**
1. NAME PLATE
  2. SER. # & I.D. PLATE
  3. AIR FLOW MONITOR 12V 115VAC (OPT)
  4. LIGHT SWITCH
  5. BLOWER SWITCH (OPT)
  6. SERVICE FIXTURES LEFT OR RIGHT (OPT)
  7. DUPLEX RECEPTACLE 115-230 15A 20A GFI (OPT)
  8. AIR GAP
  9. VAPOR PROOF LED LIGHT FIXTURE
  10. EXPLOSION PROOF LIGHT FIXTURE
  11. FLOOR MOUNT
  12. REMOVABLE ACCESS PANEL
  13. BYPASS BAFFLE

**UNIFLOW SE FM 60" FLOOR MOUNT FUME HOOD**  
**HEMCO Corporation**

DRAWN BY: **HDK** DATE: **05/11/19** DWG. NO. **SE-FM-60W**

PROPRIETARY AND CONFIDENTIAL  
 THE INFORMATION CONTAINED IN THIS DRAWING IS THE SOLE PROPERTY OF HEMCO CORPORATION. ANY REPRODUCTION IN PART OR AS A WHOLE WITHOUT THE WRITTEN PERMISSION OF HEMCO CORPORATION IS PROHIBITED.  
 PLANS & DRAWINGS ARE COPYRIGHTED BY *R. E. Hill* DATE **02/11/19**

**HEMCO** Laboratory Planning Solutions  
 711 S. Powell Rd.  
 Independence, MO 64056  
 PH: 816-796-2900  
 FAX: 816-796-3333  
 www.HEMCOcorp.com

MODEL NO:  
 SCALE: 1" = 1'-0"  
 SHEET 1 OF 1  
 REV: **A**