

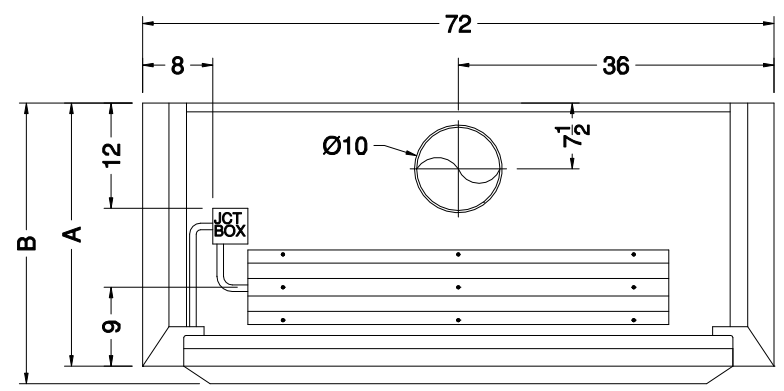
PART NUMBER	DIM "A"	DIM "B"
11060	30	22
11062	36	28
11063	48	40

INTERNATIONAL 220V/50Hz AC  
 11162 30 22  
 11163 36 28  
 11164 48 40

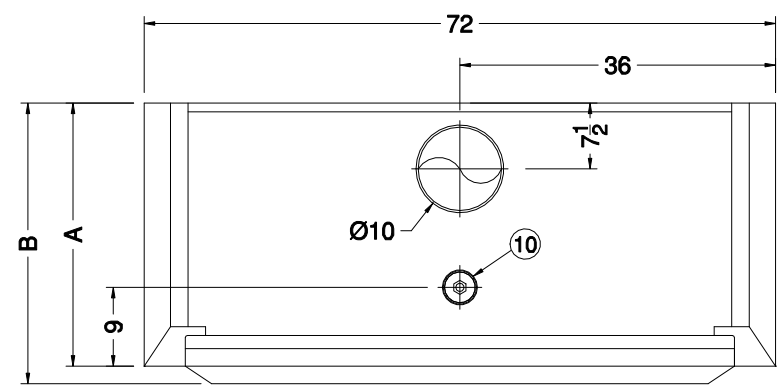
ALL OF THE ABOVE HAVE VAPOR PROOF LIGHT FIXTURES

PART NUMBER	DIM "C"	DIM "D"
11061	30	22
11064	36	28
11065	48	40

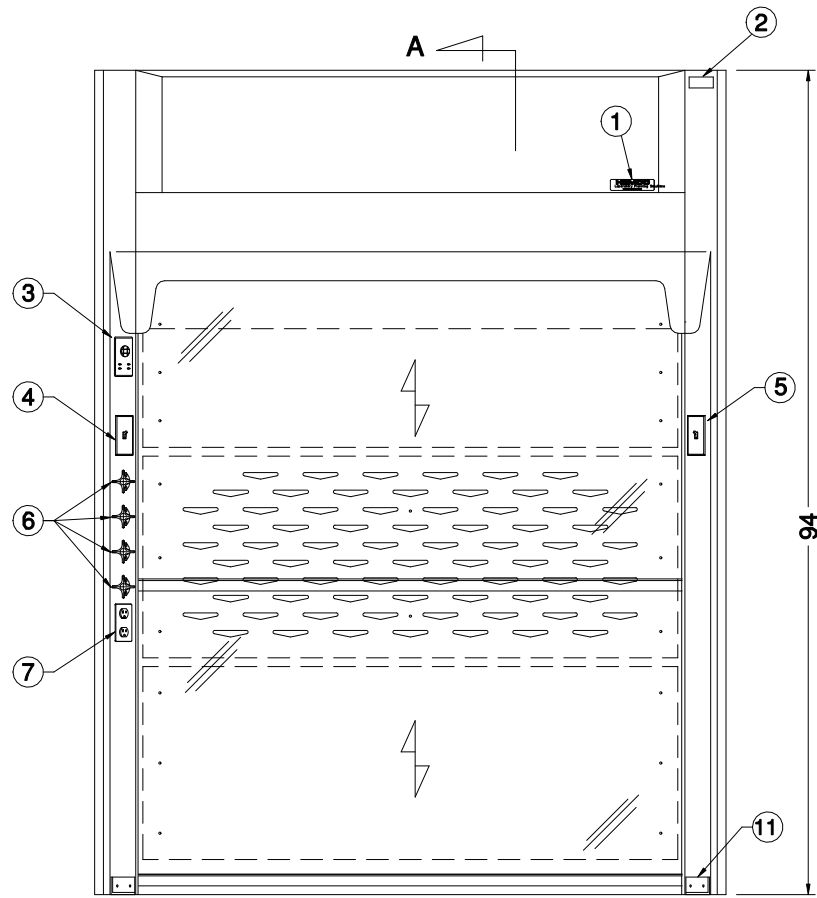
ALL OF THE ABOVE HAVE EXPLOSION PROOF LIGHT FIXTURES



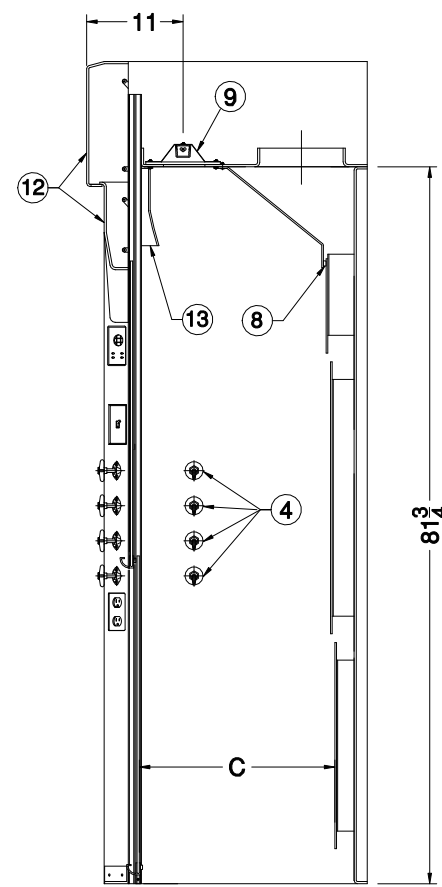
TOP VIEW



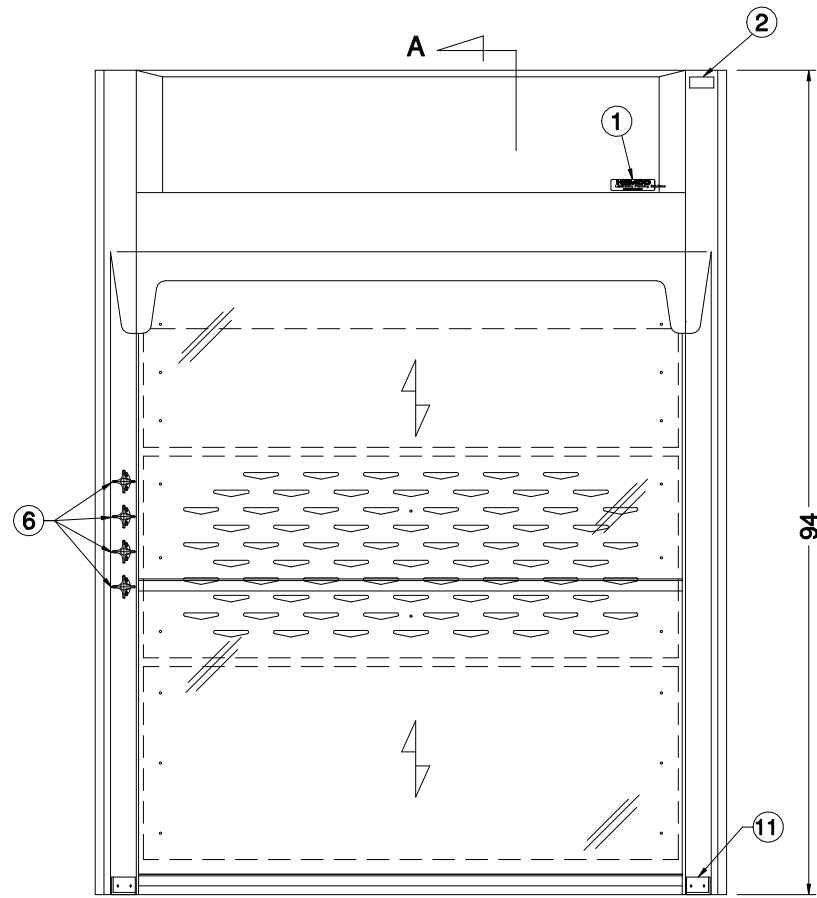
TOP VIEW



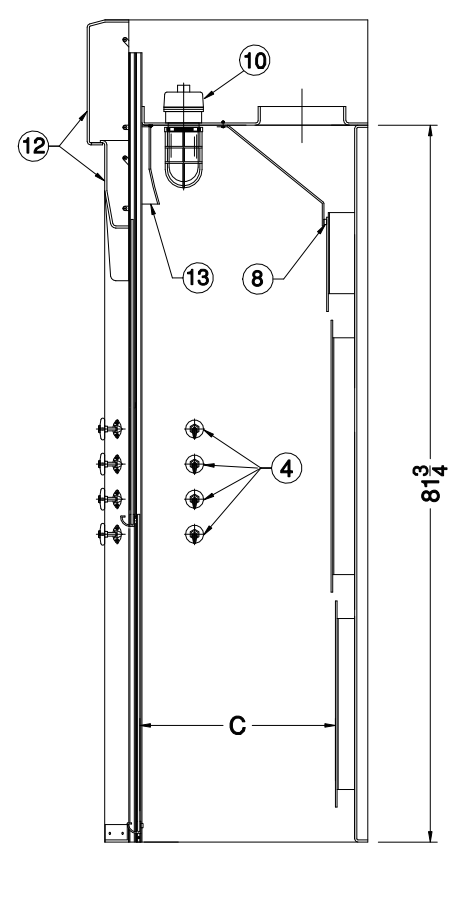
FRONT VIEW



SECTION A-A



FRONT VIEW



SECTION A-A

- NOTES:**
1. NAME PLATE
  2. SER. # & I.D. PLATE
  3. AIR FLOW MONITOR 12V 115VAC (OPT)
  4. LIGHT SWITCH
  5. BLOWER SWITCH (OPT)
  6. SERVICE FIXTURES LEFT OR RIGHT (OPT)
  7. DUPLEX RECEPTACLE 115-230 15A 20A GFI (OPT)
  8. AIR GAP
  9. VAPOR PROOF LED LIGHT FIXTURE
  10. EXPLOSION PROOF LIGHT FIXTURE
  11. FLOOR MOUNT
  12. REMOVABLE ACCESS PANEL
  13. BYPASS BAFFLE

**UNIFLOW SE FM 72" FLOOR MOUNT FUME HOOD**  
**HEMCO Corporation**

DRAWN BY: **HDK** DATE: **05/11/19** DWG. NO. **SE-FM-72W**

PROPRIETARY AND CONFIDENTIAL MODEL NO:

THE INFORMATION CONTAINED IN THIS DRAWING IS THE SOLE PROPERTY OF HEMCO CORPORATION. ANY REPRODUCTION IN PART OR AS A WHOLE WITHOUT THE WRITTEN PERMISSION OF HEMCO CORPORATION IS PROHIBITED. SCALE: **1" = 1'-0"**

PLANS & DRAWINGS ARE COPYRIGHTED BY *R. E. Hill* DATE **02/11/19** SHEET **1** OF **1**

**HEMCO** Laboratory Planning Solutions  
 711 S. Powell Rd.  
 Independence, MO 64056  
 PH: 816-796-2900  
 FAX: 816-796-3333  
 www.HEMCOcorp.com

REV: **A**