

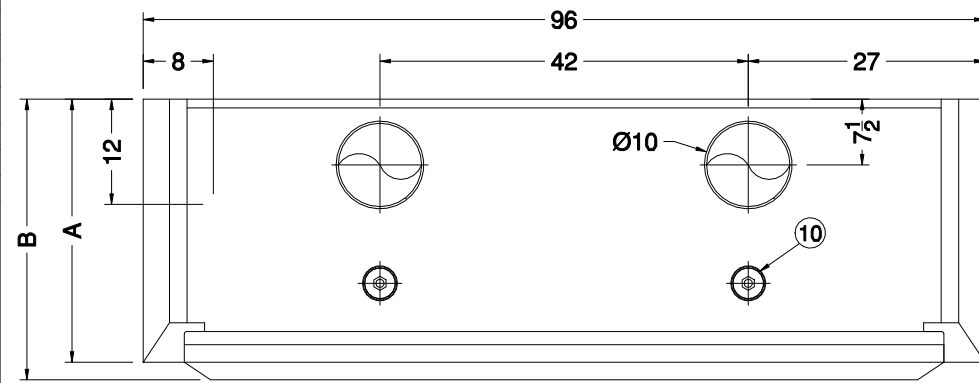
TOP VIEW

PART NUMBER	DIM "A"	DIM "B"
11080	30	22
11082	36	28
11083	48	40

INTERNATIONAL 220V/50Hz AC

11182	30	22
11183	36	28
11184	48	40

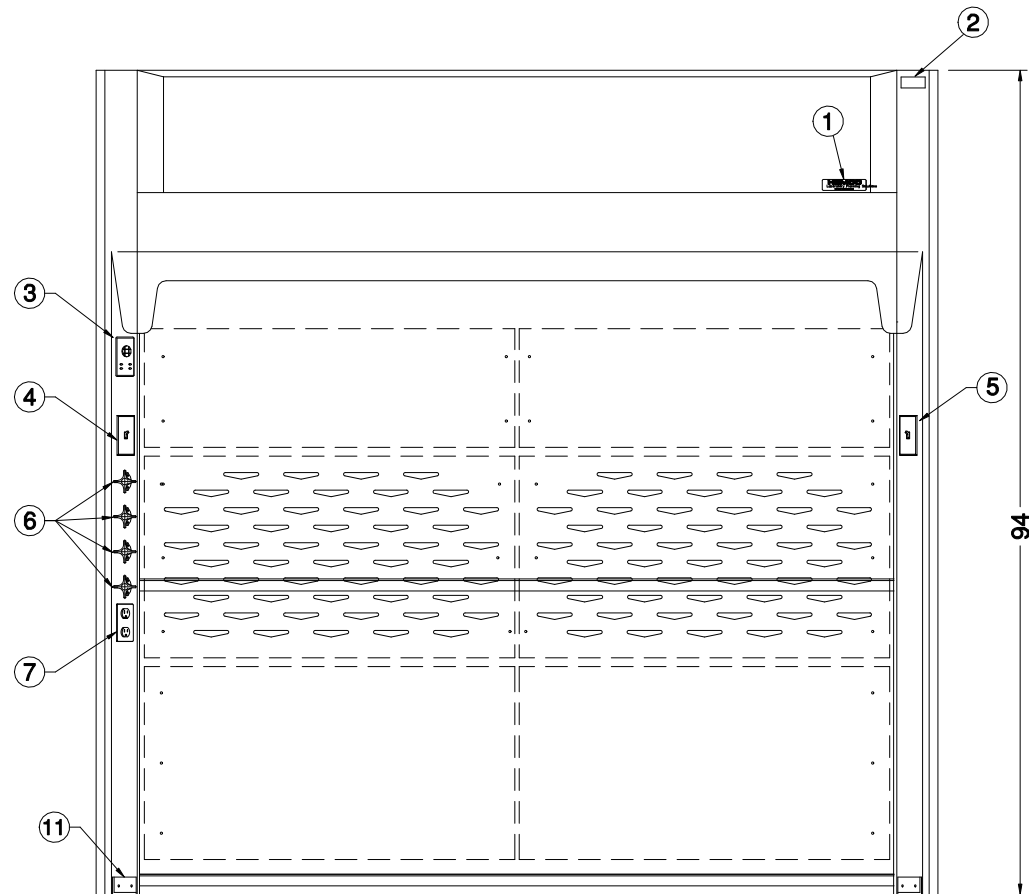
ALL OF THE ABOVE HAVE VAPOR PROOF LIGHT FIXTURES



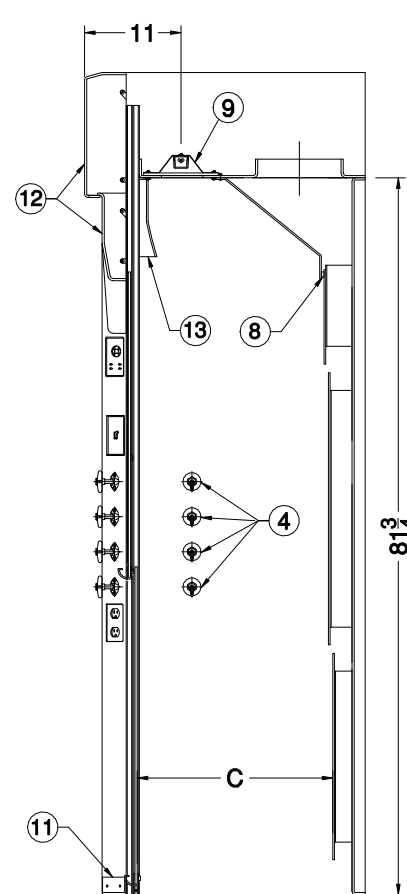
TOP VIEW

PART NUMBER	DIM "C"	DIM "D"
11081	30	22
11084	36	28
11085	48	40

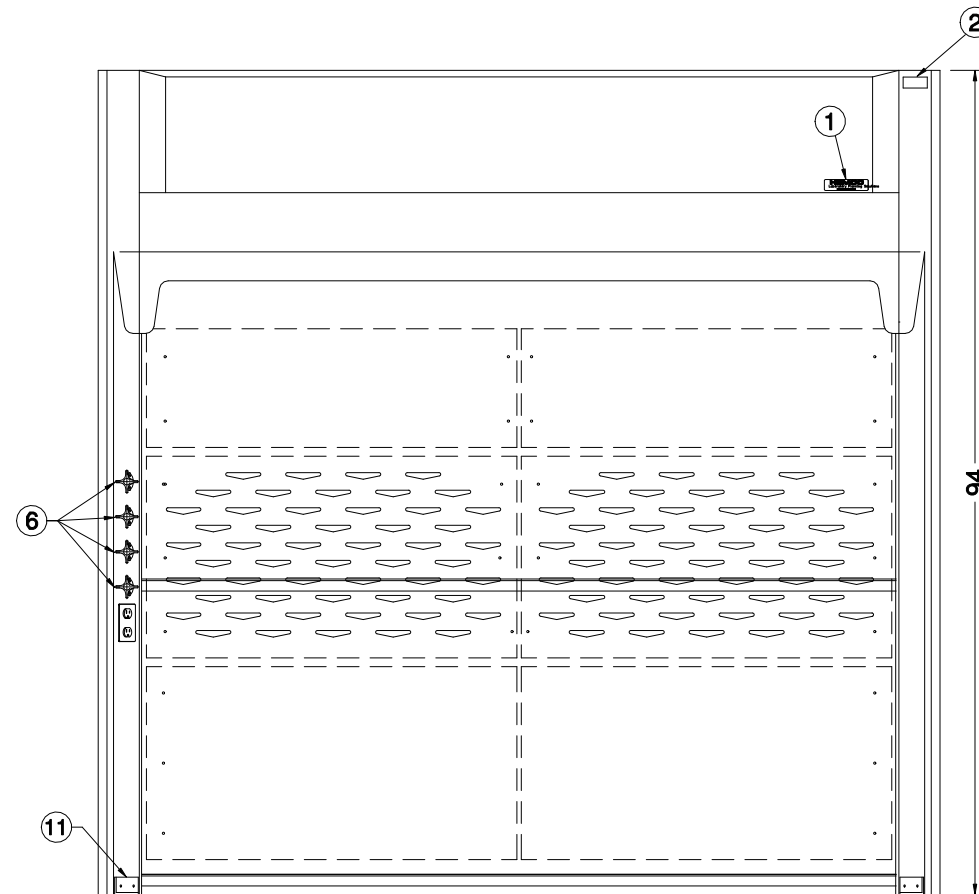
ALL OF THE ABOVE HAVE EXPLOSION PROOF LIGHT FIXTURES



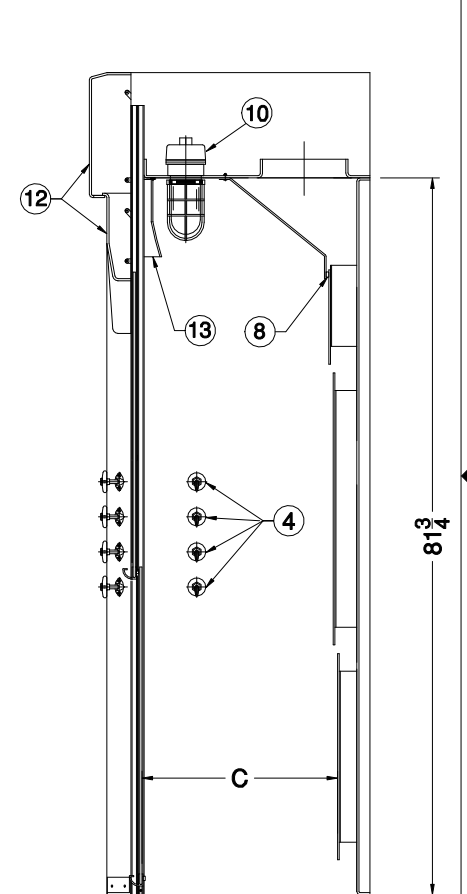
FRONT VIEW



SECTION A-A



FRONT VIEW



SECTION A-A

NOTES:

1. NAME PLATE
2. SER. # & I.D. PLATE
3. AIR FLOW MONITOR 12V 115VAC (OPT)
4. LIGHT SWITCH
5. BLOWER SWITCH (OPT)
6. SERVICE FIXTURES LEFT OR RIGHT (OPT)
7. DUPLEX RECEPTACLE 115-230 15A 20A GFI (OPT)
8. AIR GAP
9. VAPOR PROOF LED LIGHT FIXTURE
10. EXPLOSION PROOF LIGHT FIXTURE
11. FLOOR MOUNT
12. REMOVABLE ACCESS PANEL
13. BYPASS BAFFLE

UNIFLOW SE FM 96" FLOOR MOUNT FUME HOOD

HEMCO Corporation

DRAWN BY: HDK DATE: 05/11/19 DWG. NO. SE-FM-96W

PROPRIETARY AND CONFIDENTIAL

MODEL NO:

THE INFORMATION CONTAINED IN THIS DRAWING IS THE SOLE PROPERTY OF HEMCO CORPORATION. ANY REPRODUCTION IN PART OR AS A WHOLE WITHOUT THE WRITTEN PERMISSION OF HEMCO CORPORATION IS PROHIBITED.

SCALE: 1" = 1'-0"

PLANS & DRAWINGS ARE COPYRIGHTED BY R. E. Hill DATE 02/11/19

SHEET 1 OF 1

HEMCO Laboratory Planning Solutions
 711 S. Powell Rd.
 Independence, MO 64056
 PH: 816-796-2900
 FAX: 816-796-3333
 www.HEMCOcorp.com

REV: A