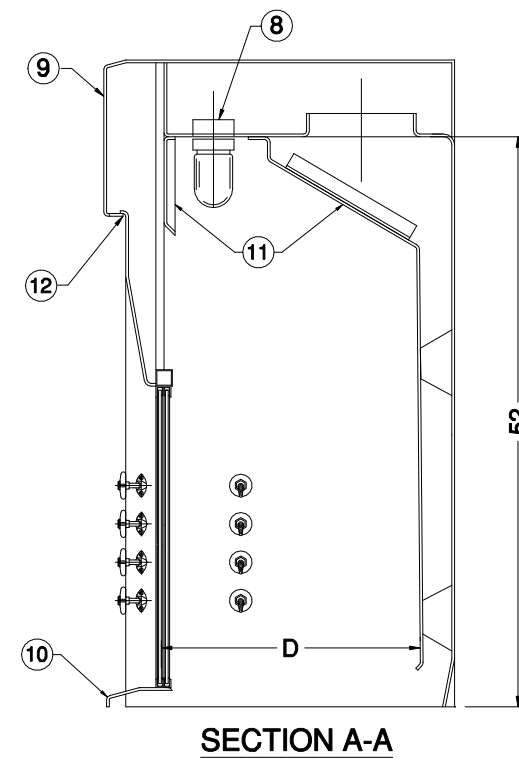
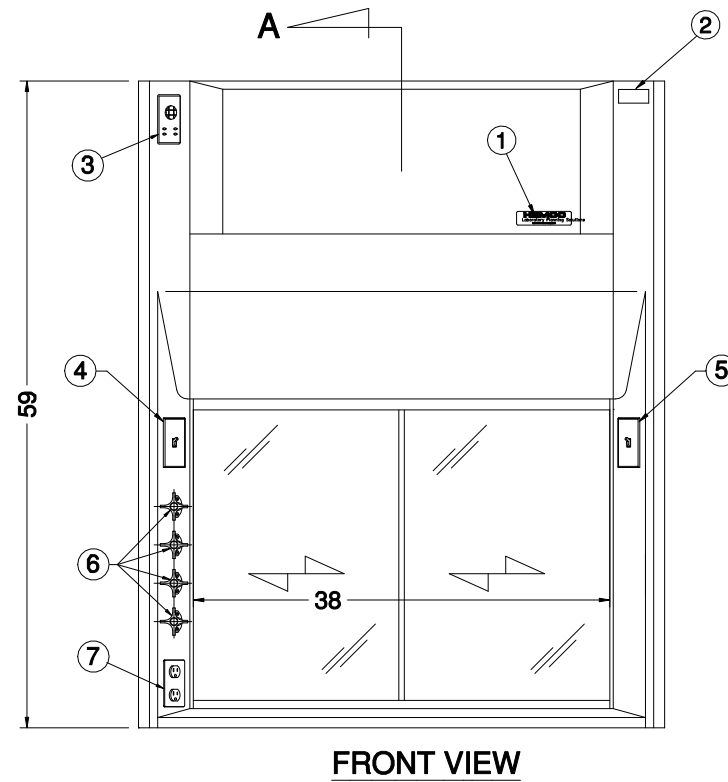
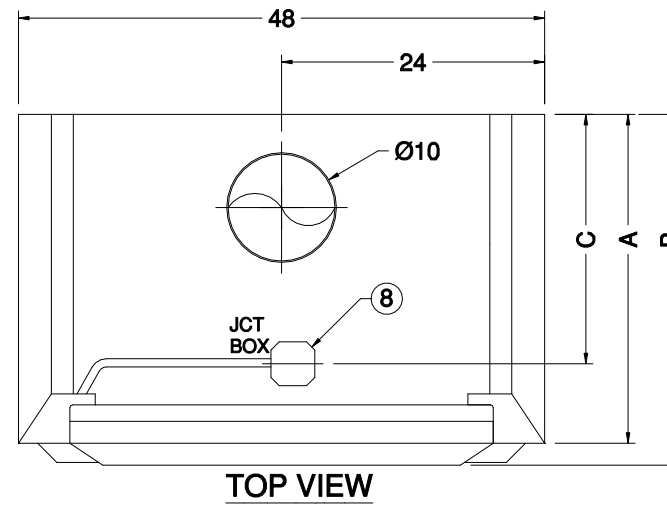


1. NAME PLATE
2. SER. # & I.D. PLATE
3. AIR FLOW MONITOR 12V 115VAC (OPT)
4. LIGHT SWITCH
5. BLOWER SWITCH (OPT)
6. SERVICE FIXTURES LEFT OR RIGHT (OPT)
7. DUPLEX RECEPTACLE 115-230 15A 20A GFI (OPT)
8. VAPOR PROOF FIXTURE 115V/60Hz AC UL LISTED
9. REMOVABLE ACCESS PANEL
10. AIR FOIL
11. VARAFLOW BAFFLE SYSTEM
12. BYPASS AIR

PART NUMBER	DIM "A"	DIM "B"	DIM "C"	DIM "D"
25041	30	32	22 3/4	23 5/8
25141	36	38	28 3/4	29 5/8



**UNIFLOW 48" TRACE METALS FUME HOOD
WITH VAPOR PROOF LIGHT**

DRAWN BY: **HDK** DATE: **05/11/19** DWG. NO. **TM 48W**

PROPRIETARY AND CONFIDENTIAL

THE INFORMATION CONTAINED IN THIS DRAWING IS THE SOLE PROPERTY OF HEMCO CORPORATION. ANY REPRODUCTION IN PART OR AS A WHOLE WITHOUT THE WRITTEN PERMISSION OF HEMCO CORPORATION IS PROHIBITED.

PLANS & DRAWINGS ARE COPYRIGHTED BY *R. E. Hill* DATE **02/11/19**

MODEL NO: **TM 48W**
SCALE: **1" = 1'-0"**
SHEET **1** OF **1**

HEMCO
Laboratory Planning Solutions

711 S. Powell Rd.
Independence, MO 64056
PH: 816-796-2900
FAX: 816-796-3333
www.HEMCOcorp.com

REV: **A**