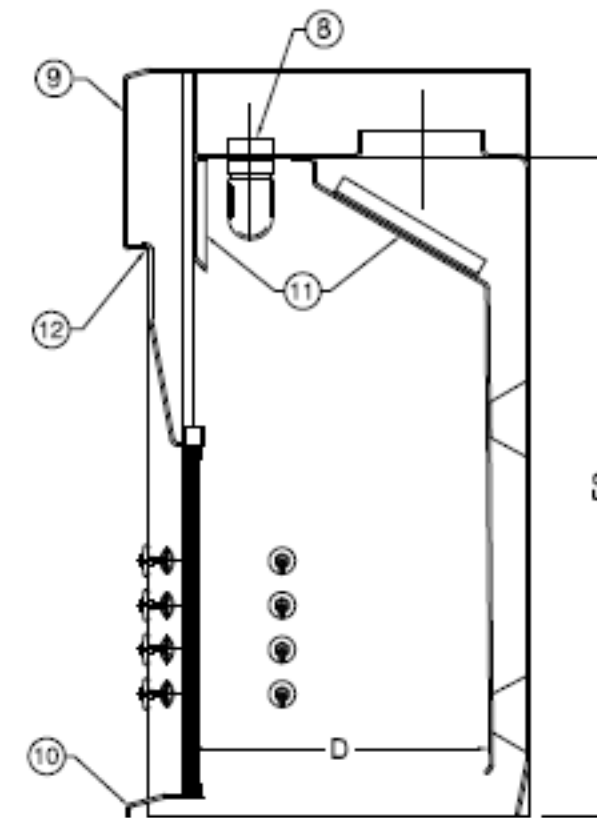
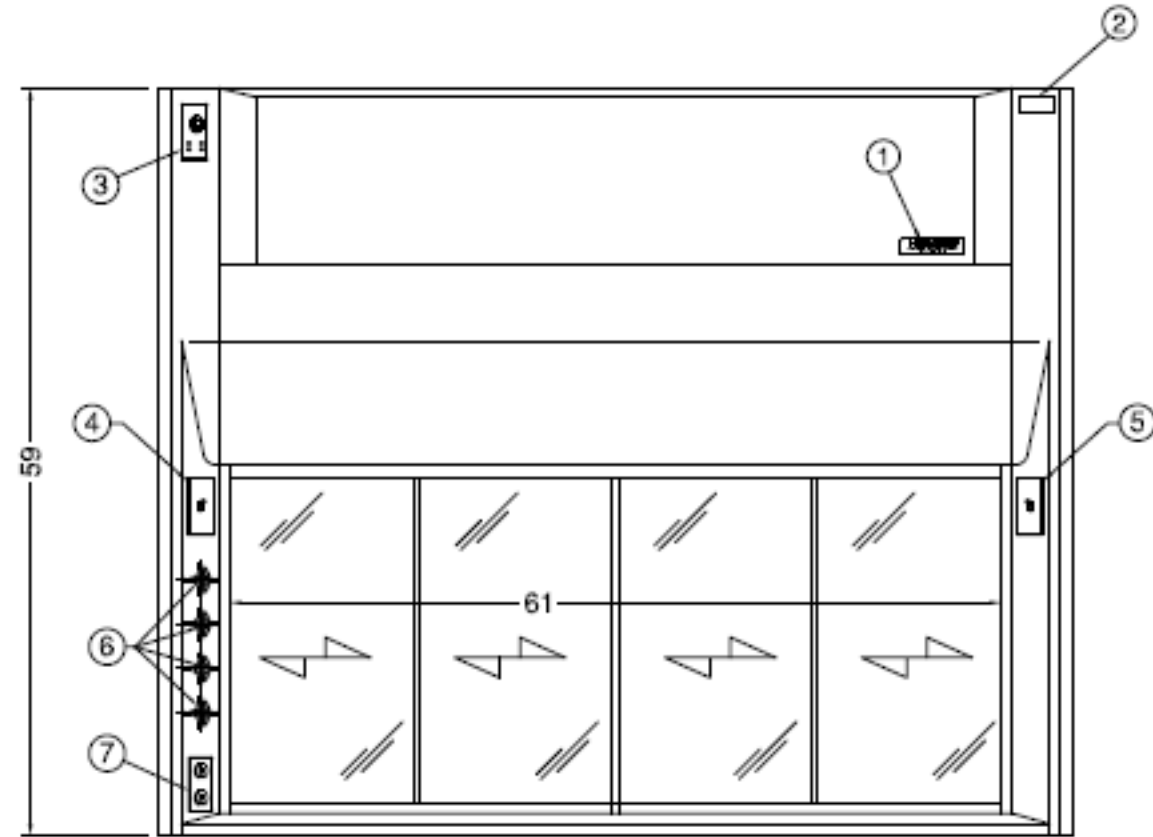
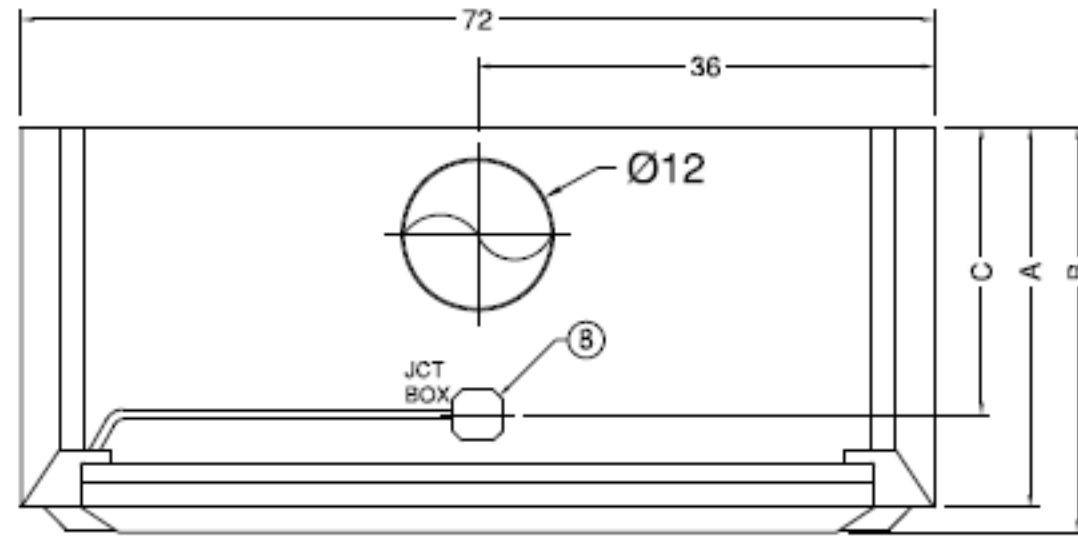


1. NAME PLATE
2. SER. # & I.D. PLATE
3. AIR FLOW MONITOR 12V 115VAC (OPT)
4. LIGHT SWITCH
5. BLOWER SWITCH (OPT)
6. SERVICE FIXTURES LEFT OR RIGHT (OPT)
7. DUPLEX RECEPTACLE 115-230 15A 20A GFI (OPT)
8. VAPOR PROOF FIXTURE 115V/60Hz AC UL LISTED
9. REMOVABLE ACCESS PANEL
10. AIR FOIL
11. VARAFLOW BAFFLE SYSTEM
12. BYPASS AIR

PART NUMBER	DIM "A"	DIM "B"	DIM "C"	DIM "D"
25061	30	32	22 3/4	23 5/8
25161	36	38	28 3/4	29 5/8



FRONT VIEW

SECTION A-A

UNIFLOW 72" TRACE METALS FUME HOOD WITH VAPOR PROOF LIGHT

DRAWN BY: HDK DATE: 05/11/19 DWG. NO. TM 72W

PROPRIETARY AND CONFIDENTIAL

THE INFORMATION CONTAINED IN THIS DRAWING IS THE SOLE PROPERTY OF HEMCO CORPORATION. ANY REPRODUCTION IN PART OR AS A WHOLE WITHOUT THE WRITTEN PERMISSION OF HEMCO CORPORATION IS PROHIBITED.

PLANS & DRAWINGS ARE COPYRIGHTED BY R. E. Hill DATE 02/11/19

HEMCO Laboratory Planning Solutions
 711 S. Powell Rd, Independence, MO 64056
 PH: 816-796-2300 FAX: 816-796-3333 www.HEMCOcorp.com

MODEL NO:
SCALE:
1" = 1'-0"
SHEET 1 OF 1

REV:
A