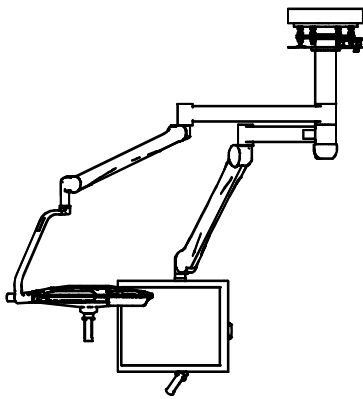
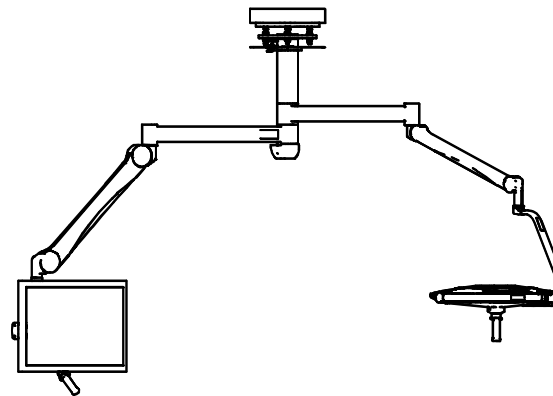


TOP VIEW



SIDE ELEVATION



FRONT ELEVATION

SPECIFICATION

ILLUMINATION LEVEL EC IN 1M (LX): 160,000

PATTERN SIZE (D10) AT 1 M (CM) | (INCH): 16 – 25 | 6.3” – 9.8”

PATTERN SIZE CONSTANT OVER WORKING DISTANCE: STANDARD (31" TO 51")

COLOR TEMPERATURE (K): 3,500 / 4,000 / 4,500 / 5,000

COLOR RENDERING INDEX RA: MAX. 97

MANUFACTURER NOTES:

COPYRIGHT: [[2018]] HILL-ROM SERVICES, INC. ALL RIGHTS RESERVED

NOTES:

1. INSTALLATION TO BE COMPLETED IN ACCORDANCE WITH MANUFACTURER'S SPECIFICATIONS.
2. DO NOT SCALE DRAWING.
3. THIS DRAWING IS INTENDED FOR USE BY ARCHITECTS, ENGINEERS, CONTRACTORS, CONSULTANTS AND DESIGN PROFESSIONALS FOR PLANNING PURPOSES ONLY. THIS DRAWING MAY NOT BE USED FOR CONSTRUCTION.
4. ALL INFORMATION CONTAINED HEREIN WAS CURRENT AT THE TIME OF DEVELOPMENT BUT MUST BE REVIEWED AND APPROVED BY THE PRODUCT MANUFACTURER TO BE CONSIDERED ACCURATE.
5. CONTRACTOR'S NOTE: FOR PRODUCT AND COMPANY INFORMATION VISIT www.CADdetails.com/info AND ENTER REFERENCE NUMBER 5249-003

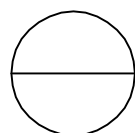
AVERAGE SERVICE LIFE OF THE LEDS (H): 60,000

ADAPTIVE LIGHT CONTROL PLUS (ALC PLUS): STANDARD

STERILE LIGHT CONTROL (SLC): OPTIONAL

ACTIVE LIGHT MANAGEMENT: STANDARD

CAMERA PREPARATION: STANDARD



SURGICAL & EXAMINATION LIGHTS

ILED® 7 SURGICAL LIGHT (SINGLE HEAD)