

FEATURES

- INTENSE LIGHT OUTPUT AND COOL OPERATION DESIGNED TO IMPROVE PATIENT EXAMS.
- IMPROVE STAFF PRODUCTIVITY AND SATISFACTION WITH EASY ASSEMBLY AND CLEANING.
- STANDARDIZE WITH AN AFFORDABLE PRICE THAT OFFERS RUGGED PERFORMANCE.
- HELP REDUCE RISK OF CROSS-CONTAMINATION WITH TOUCHLESS ON/OFF.
- MAXIMIZE FLOOR SPACE WITH MULTIPLE MOUNTING OPTIONS.
- LED LIFE OF 50,000 HOURS TO MAXIMIZE INVESTMENT.

SPECIFICATIONS

ELECTRICAL: INPUT: 100-240V - 50 HZ-60 HZ, 0.35A MAX

OPERATING ENVIRONMENT: TEMPERATURE LIMITS:

HIGH: 95°F (35°C), LOW: 50°F (10°C)

HUMIDITY LIMITATION: HIGH: 90%, LOW: 15%

ATMOSPHERIC PRESSURE LIMITATION: HIGH: 1060 HPA, LOW: 700 HPA

TRANSPORT/STORAGE ENVIRONMENT: TEMPERATURE

LIMITS: HIGH: 95°F (35°C), LOW: 50°F (10°C)

HUMIDITY LIMITATION: HIGH: 90%, LOW: 15%

ATMOSPHERIC PRESSURE LIMITATION: HIGH: 1060 HPA, LOW: 500 HPA

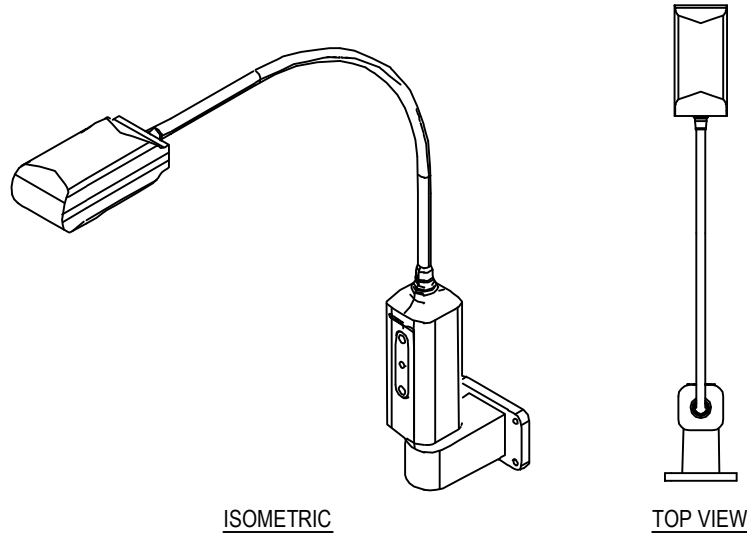
APPROVALS: IEC 60601-1, UL 60601-1, IEC 60601-1-2, CAN/CSA C22.2 NO 601.1-M90, AS/NZS3200

MANUFACTURER NOTES:

COPYRIGHT: [[2018]] HILL-ROM SERVICES, INC. ALL RIGHTS RESERVED

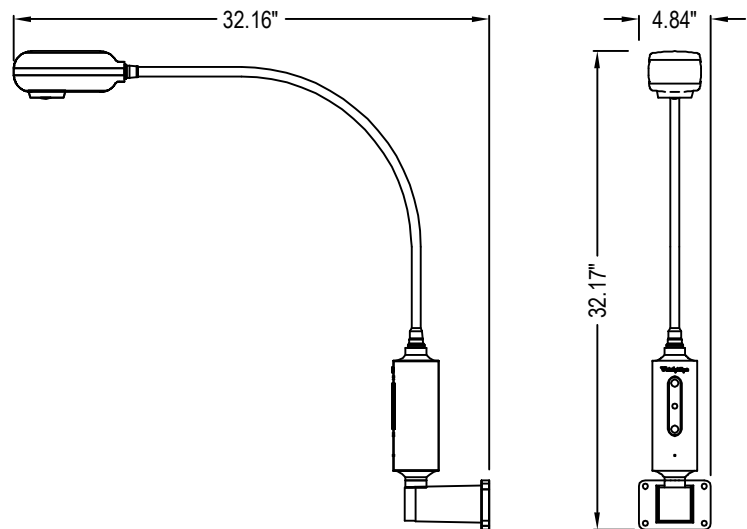
NOTES:

1. INSTALLATION TO BE COMPLETED IN ACCORDANCE WITH MANUFACTURER'S SPECIFICATIONS.
2. DO NOT SCALE DRAWING.
3. THIS DRAWING IS INTENDED FOR USE BY ARCHITECTS, ENGINEERS, CONTRACTORS, CONSULTANTS AND DESIGN PROFESSIONALS FOR PLANNING PURPOSES ONLY. THIS DRAWING MAY NOT BE USED FOR CONSTRUCTION.
4. ALL INFORMATION CONTAINED HEREIN WAS CURRENT AT THE TIME OF DEVELOPMENT BUT MUST BE REVIEWED AND APPROVED BY THE PRODUCT MANUFACTURER TO BE CONSIDERED ACCURATE.
5. CONTRACTOR'S NOTE: FOR PRODUCT AND COMPANY INFORMATION VISIT www.CADdetails.com/info AND ENTER REFERENCE NUMBER 5250-009



ISOMETRIC

TOP VIEW



SIDE VIEW

FRONT VIEW

EXAM LIGHTS

EXAM LIGHT GS300 WALL MOUNT