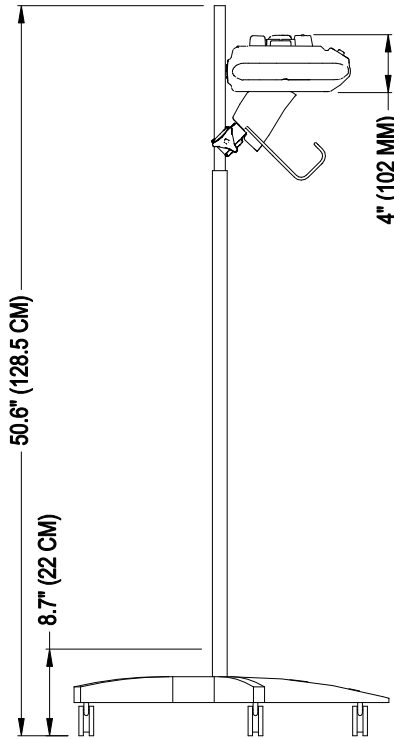
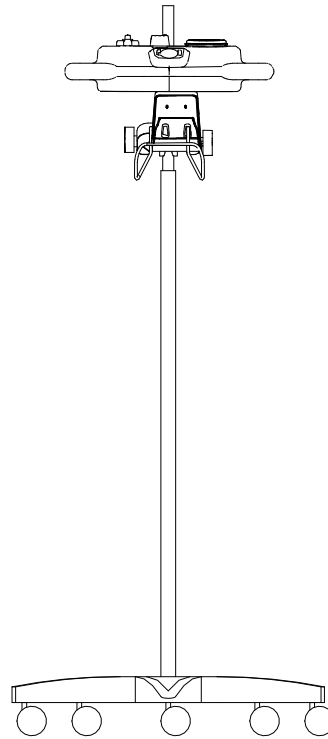


# Hillrom™

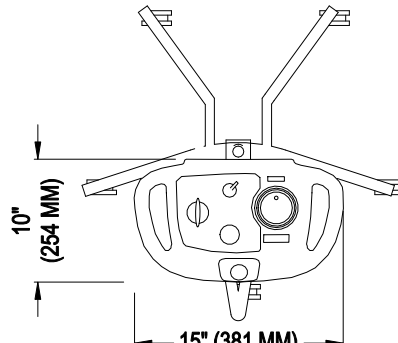
HILLROM  
1069 STATE ROUTE 46 EAST  
BATESVILLE, IN 47006  
PHONE: (812) 934-7777  
FAX: (812) 934-8189  
www.hillrom.com



SIDE VIEW



FRONT VIEW



PLAN VIEW

**SPECIFICATIONS:**

**CONTROLLER WEIGHT:** 4.8 LB (2.2 KG)

**BRACKET ARM WEIGHT:** 1.2 LB (.5 KG)

**STAND WEIGHT:** 10.6 LB (4.8 KG) (BASE AND POLE)

**POWER REQUIREMENTS:** MINIMUM 50 PSI (345 KPA) WITH 60 L/MIN FLOW RATE OF HOSPITAL GRADE OXYGEN

**SOUND LEVEL:** <85 DBA (DURING OPERATION)

© [[2018]] HILLROM SERVICES, INC. ALL RIGHTS RESERVED.

**NOTES:**

1. INSTALLATION TO BE COMPLETED IN ACCORDANCE WITH MANUFACTURER'S SPECIFICATIONS.
2. DO NOT SCALE DRAWING.
3. THIS DRAWING IS INTENDED FOR USE BY ARCHITECTS, ENGINEERS, CONTRACTORS, CONSULTANTS AND DESIGN PROFESSIONALS FOR PLANNING PURPOSES ONLY. THIS DRAWING MAY NOT BE USED FOR CONSTRUCTION.
4. ALL INFORMATION CONTAINED HEREIN WAS CURRENT AT THE TIME OF DEVELOPMENT BUT MUST BE REVIEWED AND APPROVED BY THE PRODUCT MANUFACTURER TO BE CONSIDERED ACCURATE.
5. CONTRACTOR'S NOTE: FOR PRODUCT AND COMPANY INFORMATION VISIT [www.CADdetails.com/info](http://www.CADdetails.com/info) AND ENTER REFERENCE NUMBER 4794-034 - Hillrom - The MetaNeb

Respiratory System

## RESPIRATORY THERAPY

THE METANEBO® RESPIRATORY SYSTEM

