

Hillrom™

HILLROM
1069 STATE ROUTE 46 EAST
BATESVILLE, IN 47006
PHONE: (812) 934-7777
FAX: (812) 934-8189
www.hillrom.com

SPECIFICATIONS:

PRODUCT NUMBER: PVC1

PRODUCT DESCRIPTION: VITALCOUGH™
SYSTEM

MAXIMUM POSITIVE PRESSURE: +50 CMH20, +/-
6CMH20

MAXIMUM NEGATIVE PRESSURE: -50 CMH20, +/-
6CMH20

MAXIMUM INHALATION FLOW*: ≥ 7
LITERS/SECOND

LOW INHALATION FLOW*: ≥ 4.9 LITERS/SECOND

MAXIMUM EXHALATION FLOW*: ≥ 7
LITERS/SECOND

POSITIVE PRESSURE: 0 TO +50 CMH20, 1
CMH20 STEPS

NEGATIVE PRESSURE: -15 TO -50 CMH20, 1
CMH20 STEPS

**INHALATION, EXHALATION, AND PAUSE
TIMES:** 0.0 TO 5.0 SECONDS, 0.2 SECOND
INCREMENTS

INHALATION FLOW: HIGH, MEDIUM AND LOW
FLOWS

POSITIVE AIRWAY: 0-15 CMH20,
ADJUSTABLE (PRESSURE THAT IS KEPT
ABOVE ATMOSPHERIC PRESSURE)

WEIGHT: 6.8 KG (15 LBS)

*THE MAXIMUM, MEDIUM, AND LOW
INHALATION FLOW RATES SHOWN ARE
BASED ON MAXIMUM PRESSURE SETTINGS.

© [[2018]] HILLROM SERVICES, INC. ALL RIGHTS RESERVED.

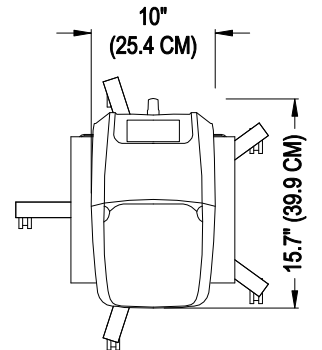
NOTES:

1. INSTALLATION TO BE COMPLETED IN ACCORDANCE WITH MANUFACTURER'S SPECIFICATIONS.
2. DO NOT SCALE DRAWING.
3. THIS DRAWING IS INTENDED FOR USE BY ARCHITECTS, ENGINEERS, CONTRACTORS, CONSULTANTS AND DESIGN PROFESSIONALS FOR PLANNING PURPOSES ONLY. THIS DRAWING MAY NOT BE USED FOR CONSTRUCTION.
4. ALL INFORMATION CONTAINED HEREIN WAS CURRENT AT THE TIME OF DEVELOPMENT BUT MUST BE REVIEWED AND APPROVED BY THE PRODUCT MANUFACTURER TO BE CONSIDERED ACCURATE.
5. CONTRACTOR'S NOTE: FOR PRODUCT AND COMPANY INFORMATION VISIT www.CADdetails.com/info AND ENTER REFERENCE NUMBER 4794-035 - Hillrom - The VitalCough

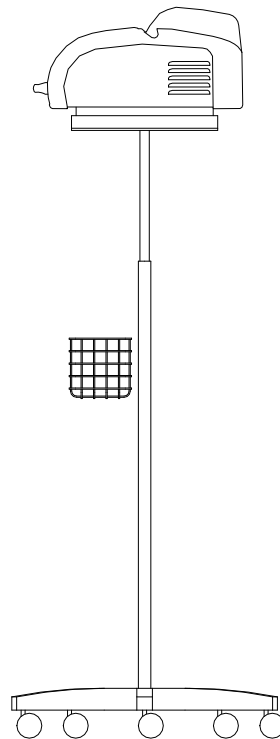
Respiratory System

HILL-ROM RESPIRATORY SYSTEMS

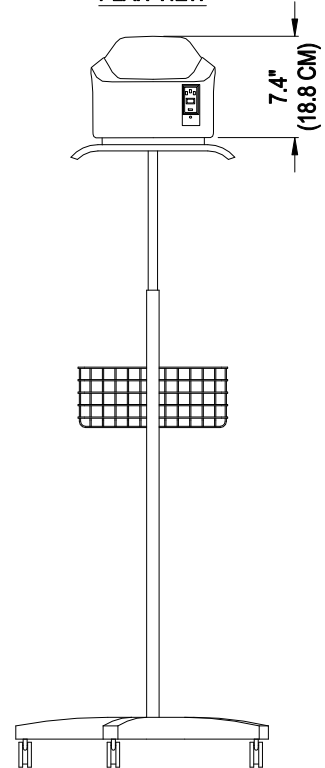
THE VITALCOUGH® RESPIRATORY SYSTEM



PLAN VIEW



SIDE VIEW



FRONT VIEW

