



# BEDS

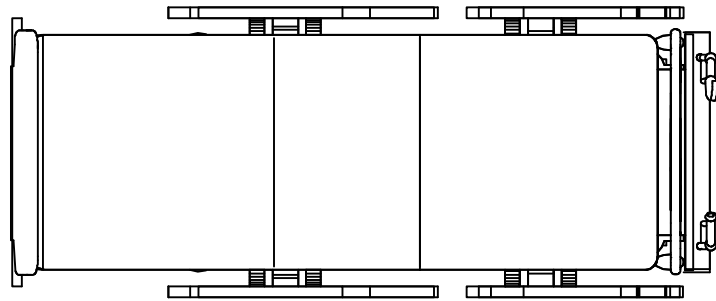
HILL-ROM HOSPITAL BEDS  
1069 STATE ROUT 46 EAST  
BATESVILLE, IN 47006  
PHONE: (812) 934-7777  
FAX: (812) 934-8189  
www.hill-rom.com/usa

SELECT DESIRED MODEL AND FEATURES:

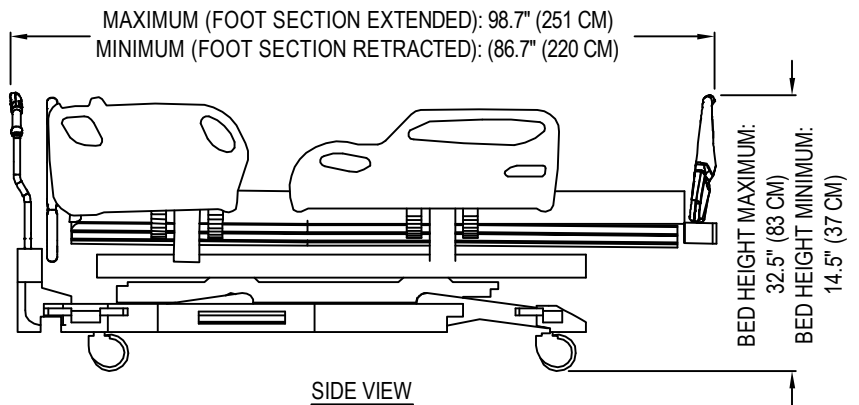
- CNT155:
  - PATIENT PENDANT
  - SECOND PATIENT PENDANT
  - NURSE CALL
  - UNIVERSAL TV AND LIGHTING CONTROLS
  - 5TH WHEEL STEERING
  - ACCESSORY OUTLET

- CNT255
  - ILLUMIGUIDE™ SIDERAIL HANDGRIP
  - COMFORT EDITION 40" WIDTH
  - SECOND PATIENT PENDANT
  - NURSE CALL
  - INTELLIDRIVE® POWERED TRANSPORT
  - UNIVERSAL TV AND LIGHTING CONTROLS
  - SAFEVIEW® AND SYSTEM
  - 5TH WHEEL STEERING
  - ACCESSORY OUTLET

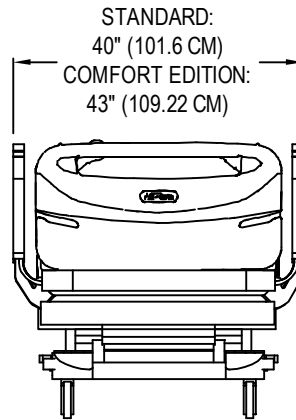
- CNT355
  - COMFORT EDITION 40" WIDTH
  - SECTION PATIENT PENDANT
  - NURSE CALL
  - INTELLIDRIVE® POWERED TRANSPORT
  - UNIVERSAL TV AND LIGHTING CONTROLS
  - 5TH WHEEL STEERING
  - ACCESSORY OUTLET



PLAN VIEW



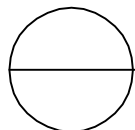
SIDE VIEW



FRONT VIEW

NOTES:

1. INSTALLATION TO BE COMPLETED IN ACCORDANCE WITH MANUFACTURER'S SPECIFICATIONS.
2. DO NOT SCALE DRAWING.
3. THIS DRAWING IS INTENDED FOR USE BY ARCHITECTS, ENGINEERS, CONTRACTORS, CONSULTANTS AND DESIGN PROFESSIONALS FOR PLANNING PURPOSES ONLY. THIS DRAWING MAY NOT BE USED FOR CONSTRUCTION.
4. ALL INFORMATION CONTAINED HEREIN WAS CURRENT AT THE TIME OF DEVELOPMENT BUT MUST BE REVIEWED AND APPROVED BY THE PRODUCT MANUFACTURER TO BE CONSIDERED ACCURATE.
5. ADDITIONAL INFORMATION (MAY NOT BE VISIBLE) AVAILABLE IN MODEL SPACE.
6. CONTRACTOR'S NOTE: FOR PRODUCT AND COMPANY INFORMATION VISIT [www.CADdetails.com/info](http://www.CADdetails.com/info) AND ENTER REFERENCE NUMBER 4794-033



## HILL-ROM HEALTHCARE BEDS

HEALTHCARE: HILL-ROM CENTRELLA™ SMART+ BED