

Hillrom™

HILLROM
1069 STATE ROUTE 46 EAST
BATESVILLE, IN 47006
PHONE: (812) 934-7777
FAX: (812) 934-8189
www.hillrom.com

SELECT DESIRED MODEL

- GOLVO® 8000 MOBILE LIFT (SHOWN)
- GOLVO® 8008 MOBILE LIFT (NOT SHOWN)
- GOLVO® 8008 LOWBASE™ MOBILE LIFT (NOT SHOWN)

SOMETIMES IT'S DIFFICULT TO CHOOSE BETWEEN A MOBILE LIFT AND AN OVERHEAD LIFT. HILL-ROM SIMPLIFIES THAT CHOICE WITH THE DESIGN SUCCESS OF THE GOLVO® LIFT, A UNIQUE MOBILE LIFT THAT OFFERS ADVANTAGES OF AN OVERHEAD LIFT. WITH ITS LIFTING DESIGN AND FLEXIBLE LIFT STRAP, THE GOLVO® LIFT OFFERS FLEXIBILITY AND VERSATILITY FOUND IN NO OTHER MOBILE LIFT.

THE RETRACTABLE ARMRESTS, WHICH ARE STANDARD, HELP TO MAKE THE GOLVO® LIFT THE PERFECT MOBILE LIFT FOR GAIT TRAINING DURING REHABILITATION. ENVIRONMENTALLY SOUND DESIGN AND RECYCLABLE ALUMINUM MAKE THE GOLVO® LIFT A STRONG, LIGHT MOBILE LIFT THAT YOU CAN DEPEND ON IN MOST LIFTING SITUATIONS. A SPECIAL VERSION OF THE GOLVO® LIFT IS ADAPTED TO PERMIT ACCESS UNDER LOW BEDS. WE CALL IT THE GOLVO® LOW BASE LIFT.

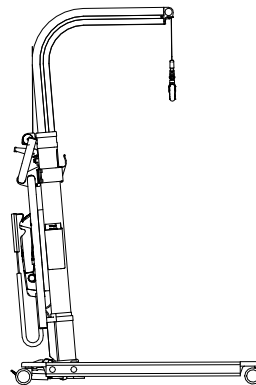
IMPORTANT FEATURES

- THE VERTICAL LIFTING MOTION, ENABLED BY A FLEXIBLE STRAP, IS THE MOST LOGICAL AND EASIEST WAY TO LIFT A PERSON
- PARALLEL AND SYMMETRICAL BASE-WIDTH ADJUSTMENT ENABLES EASIER ACCESS
- RETRACTABLE ARMRESTS CAN BE HELD BY THE PATIENT AND CAREGIVER FOR GREATER STABILITY, SAFETY AND SECURITY
- THE COMPREHENSIVE DESIGN IN RECYCLABLE ALUMINUM
- MAXIMUM LOAD: 440 LBS

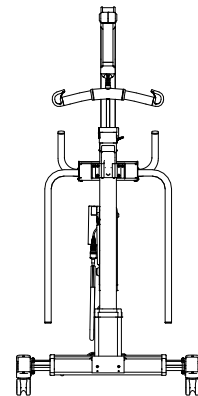
© [[2018]] HILLROM SERVICES, INC. ALL RIGHTS RESERVED.

NOTES:

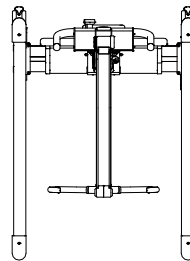
1. INSTALLATION TO BE COMPLETED IN ACCORDANCE WITH MANUFACTURER'S SPECIFICATIONS.
2. DO NOT SCALE DRAWING.
3. THIS DRAWING IS INTENDED FOR USE BY ARCHITECTS, ENGINEERS, CONTRACTORS, CONSULTANTS AND DESIGN PROFESSIONALS FOR PLANNING PURPOSES ONLY. THIS DRAWING MAY NOT BE USED FOR CONSTRUCTION.
4. ALL INFORMATION CONTAINED HEREIN WAS CURRENT AT THE TIME OF DEVELOPMENT BUT MUST BE REVIEWED AND APPROVED BY THE PRODUCT MANUFACTURER TO BE CONSIDERED ACCURATE.
5. CONTRACTOR'S NOTE: FOR PRODUCT AND COMPANY INFORMATION VISIT www.CADdetails.com/info AND ENTER REFERENCE NUMBER 4794-053 - Hillrom - Golvo Mobile Lift



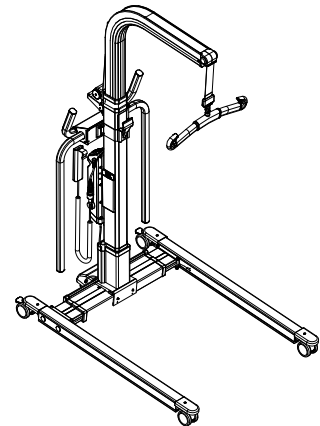
SIDE ELEVATION



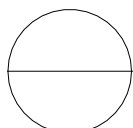
FRONT ELEVATION



PLAN VIEW



ISOMETRIC VIEW



PATIENT LIFTS (PREVIOUSLY LIKO)

GOLVO® MOBILE LIFT