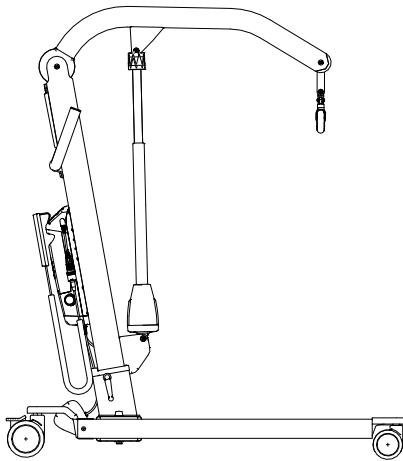
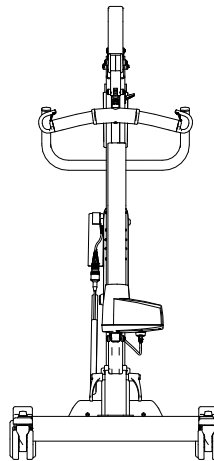


Hillrom™

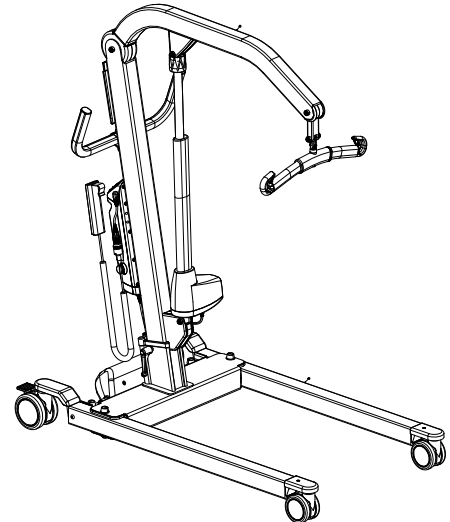
HILLROM
1069 STATE ROUTE 46 EAST
BATESVILLE, IN 47006
PHONE: (812) 934-7777
FAX: (812) 934-8189
www.hillrom.com



SIDE ELEVATION



FRONT ELEVATION



ISOMETRIC VIEW

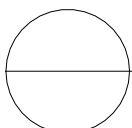
THE VIKING® SERIES OF LIFTS IS READY TO SOLVE MANY VARYING LIFTING NEEDS IN DIFFERENT CARE SITUATIONS, AND THE ADAPTATION POSSIBILITIES ARE AS COMPREHENSIVE AS HILL-ROM'S LIKO® ACCESSORY RANGE. THE VIKING® LIFT SERIES IS AVAILABLE IN FIVE MODELS, FROM THE SMALLEST VIKING® XS LIFT TO THE SUPER-STRONG VIKING® XL LIFT.

IN RELATION TO ITS HIGH LIFTING CAPACITY, THE VIKING® LIFT IS INCREDIBLE EASY TO MANEUVER AND IS IDEAL FOR COMMON LIFTING NEEDS AS WELL AS HEAVY LIFTING. THANKS TO ITS LOW WEIGHT, A MERE 83 LBS, THE VIKING® L LIFT IS VERY EASY TO HANDLE AND CAN LIFT UP TO 550 LBS.

© [[2018]] HILLROM SERVICES, INC. ALL RIGHTS RESERVED.

NOTES:

1. INSTALLATION TO BE COMPLETED IN ACCORDANCE WITH MANUFACTURER'S SPECIFICATIONS.
2. DO NOT SCALE DRAWING.
3. THIS DRAWING IS INTENDED FOR USE BY ARCHITECTS, ENGINEERS, CONTRACTORS, CONSULTANTS AND DESIGN PROFESSIONALS FOR PLANNING PURPOSES ONLY. THIS DRAWING MAY NOT BE USED FOR CONSTRUCTION.
4. ALL INFORMATION CONTAINED HEREIN WAS CURRENT AT THE TIME OF DEVELOPMENT BUT MUST BE REVIEWED AND APPROVED BY THE PRODUCT MANUFACTURER TO BE CONSIDERED ACCURATE.
5. CONTRACTOR'S NOTE: FOR PRODUCT AND COMPANY INFORMATION VISIT www.CADdetails.com/info AND ENTER REFERENCE NUMBER 4794-056 - Hillrom - Viking L Mobile Lift



PATIENT LIFTS (PREVIOUSLY LIKO)

VIKING® L MOBILE LIFT