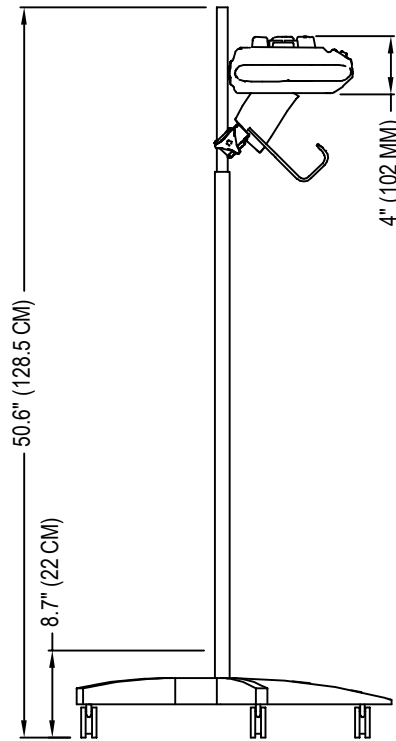


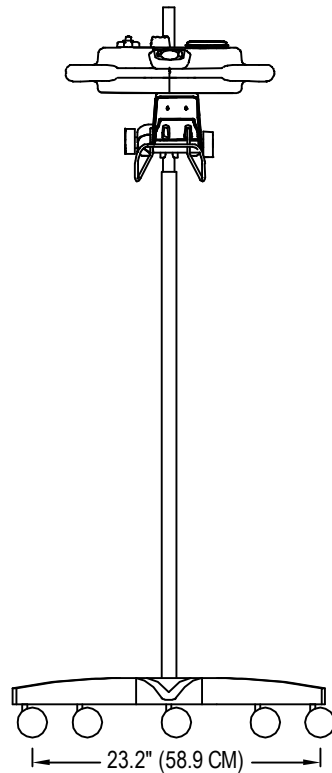


BEDS

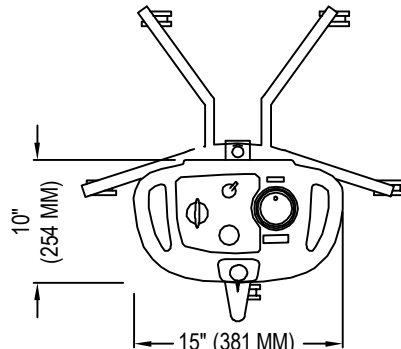
HILL-ROM HOSPITAL BEDS
1069 STATE ROUT 46 EAST
BATESVILLE, IN 47006
PHONE: (812) 934-7777
FAX: (812) 934-8189
www.hill-rom.com/usa



SIDE VIEW



FRONT VIEW



PLAN VIEW

SPECIFICATIONS:

CONTROLLER WEIGHT: 4.8 LB (2.2 KG)

BRACKET ARM WEIGHT: 1.2 LB (.5 KG)

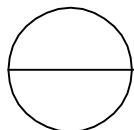
STAND WEIGHT: 10.6 LB (4.8 KG) (BASE AND POLE)

POWER REQUIREMENTS: MINIMUM 50 PSI (345 KPA) WITH 60 L/MIN FLOW RATE OF HOSPITAL GRADE OXYGEN

SOUND LEVEL: <85 DBA (DURING OPERATION)

NOTES:

1. INSTALLATION TO BE COMPLETED IN ACCORDANCE WITH MANUFACTURER'S SPECIFICATIONS.
2. DO NOT SCALE DRAWING.
3. THIS DRAWING IS INTENDED FOR USE BY ARCHITECTS, ENGINEERS, CONTRACTORS, CONSULTANTS AND DESIGN PROFESSIONALS FOR PLANNING PURPOSES ONLY. THIS DRAWING MAY NOT BE USED FOR CONSTRUCTION.
4. ALL INFORMATION CONTAINED HEREIN WAS CURRENT AT THE TIME OF DEVELOPMENT BUT MUST BE REVIEWED AND APPROVED BY THE PRODUCT MANUFACTURER TO BE CONSIDERED ACCURATE.
5. ADDITIONAL INFORMATION (MAY NOT BE VISIBLE) AVAILABLE IN MODEL SPACE.
6. CONTRACTOR'S NOTE: FOR PRODUCT AND COMPANY INFORMATION VISIT www.CADdetails.com/info AND ENTER REFERENCE NUMBER 4794-034



HILL-ROM RESPIRATORY SYSTEMS

THE METANEB® RESPIRATORY SYSTEM