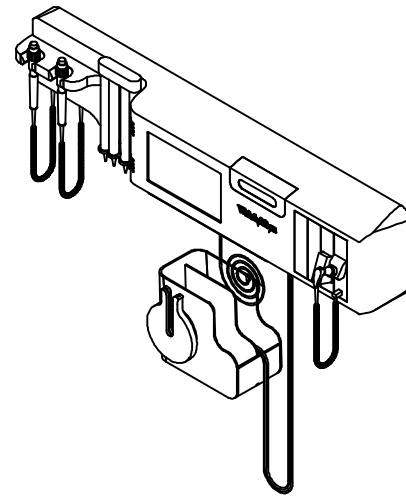




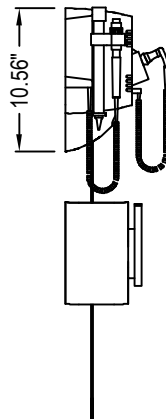
WELCH ALLYN - A HILL-ROM COMPANY
 1069 STATE ROUTE 46 E.
 BATESVILLE, IN 47006
 PHONE: (812) 934-7777
 FAX: (812) 934-8189
 www.welchallyn.com

SELECT DESIRED MODEL:

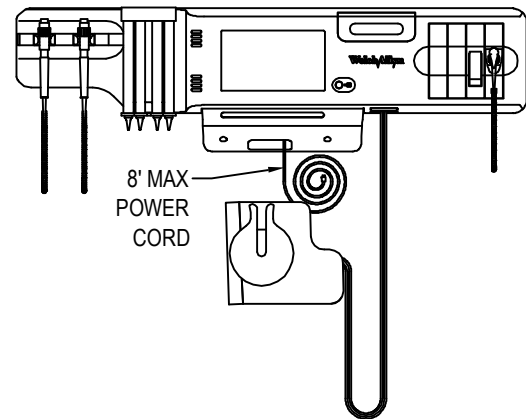
- WIRELESS CONFIGURATION
- NON-WIRELESS CONFIGURATION



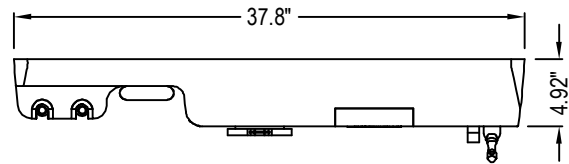
ISOMETRIC



SIDE VIEW



FRONT VIEW



TOP VIEW

FEATURES:

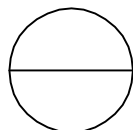
- INTEGRATED OTOSCOPE AND OPHTHALMOSCOPE, CHOOSE FROM A VARIETY OF 3.5 V OPTIONS.
- OPTIONAL NONINVASIVE CONTINUOUS MONITORING OF TOTAL HEMOGLOBIN.
- SURETEMP® PLUS ORAL AND/OR BRAUN THERMOSCAN® PRO 4000 EAR THERMOMETRY.
- NIBP MODES FEATURING SUREBP™ - 15-SECOND NIBP AND PULSE RATE.
- MASIMO® OR NELLCOR® PULSE OXIMETRY.
- WALL MOUNTED CORD/CUFF MANAGEMENT SYSTEM.
- LARGE, EASY-TO-READ COLOR TOUCHSCREEN.

MANUFACTURER NOTES:

COPYRIGHT: [[2018]] HILL-ROM SERVICES, INC. ALL RIGHTS RESERVED

NOTES:

1. INSTALLATION TO BE COMPLETED IN ACCORDANCE WITH MANUFACTURER'S SPECIFICATIONS.
2. DO NOT SCALE DRAWING.
3. THIS DRAWING IS INTENDED FOR USE BY ARCHITECTS, ENGINEERS, CONTRACTORS, CONSULTANTS AND DESIGN PROFESSIONALS FOR PLANNING PURPOSES ONLY. THIS DRAWING MAY NOT BE USED FOR CONSTRUCTION.
4. ALL INFORMATION CONTAINED HEREIN WAS CURRENT AT THE TIME OF DEVELOPMENT BUT MUST BE REVIEWED AND APPROVED BY THE PRODUCT MANUFACTURER TO BE CONSIDERED ACCURATE.
5. CONTRACTOR'S NOTE: FOR PRODUCT AND COMPANY INFORMATION VISIT www.CADdetails.com/info AND ENTER REFERENCE NUMBER 5250-002



VITAL SIGNS DEVICES

CONNEX® INTEGRATED WALL SYSTEM