



® 4242 Baldwin Boulevard  
 Corpus Christi, Texas  
 USA 78405-3399  
 Tel: 800-531-3111, 361-888-5591  
 Fax: 800-531-3108, 361-888-6510  
 www.hortondoors.com  
 The Automatic Choice

# ARCHITECTURAL DETAILS

## POWER SWING DOOR OPERATORS

Series 7900 & 4900LE Surface Applied Fire Door  
 Single & Pair with Outswing Arm

B2.8

Sept 12

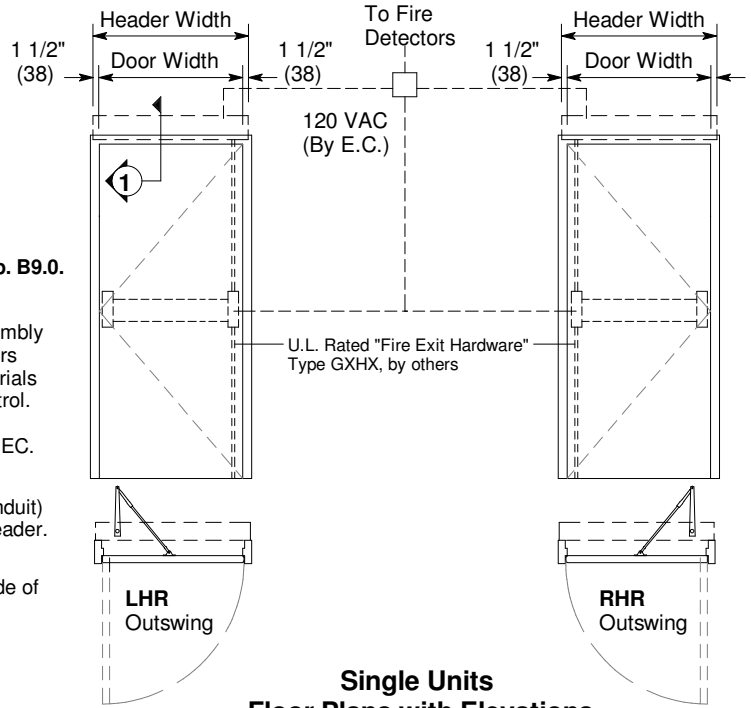
### Standard Packages

Single Units		Pair Units	
Types: LH, RH, LHR, RHR		Types: LH-RH, LHR-RHR	
Door Width	Header Width	Door Pair Width	Header Width
3'-0" (914)	3'-3" (991)	5'-0" (1524)	5'-3" (1600)
3'-6" (1067)	3'-9" (1143)	6'-0" (1829)	6'-3" (1905)
		7'-0" (2133)	7'-3" (2210)
<b>Anodized Finish:</b> Clear or Dark Bronze			

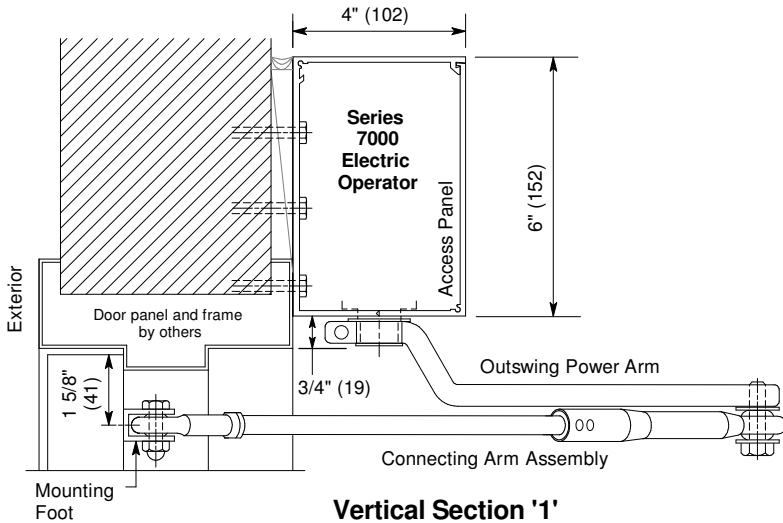
For additional equipment information see Architectural Specs starting on p. B9.0.

### Installation and Operation

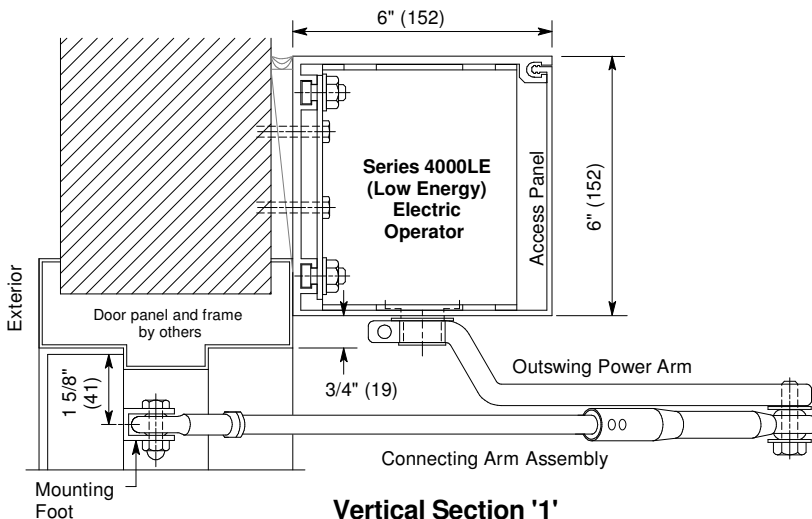
- Swing door header is surface mounted onto frame and connecting arm assembly is mounted to face of door panel. Required U.L. equipment supplied by others includes "Fire Exit Hardware" type GXHX as found in the U.L. Building Materials Directory, door, frame, hinges, automatic fire detectors or central alarm control. Rated equipment must comply with NFPA 101 & NFPA 80 Fire Door Requirements. Connections must comply with NFPA 72 and article 760 of NEC.
- Electrical: Provide 120 VAC, 60 cycle, single phase, 15 amp service (in conduit) to each swing door unit on a dedicated 20 amp circuit breaker routed into header. Maximum current draw is 3.15 amps.
- Unit to be actuated by push plate or push button switch mounted on each side of opening for two-way traffic (see page B8.5).



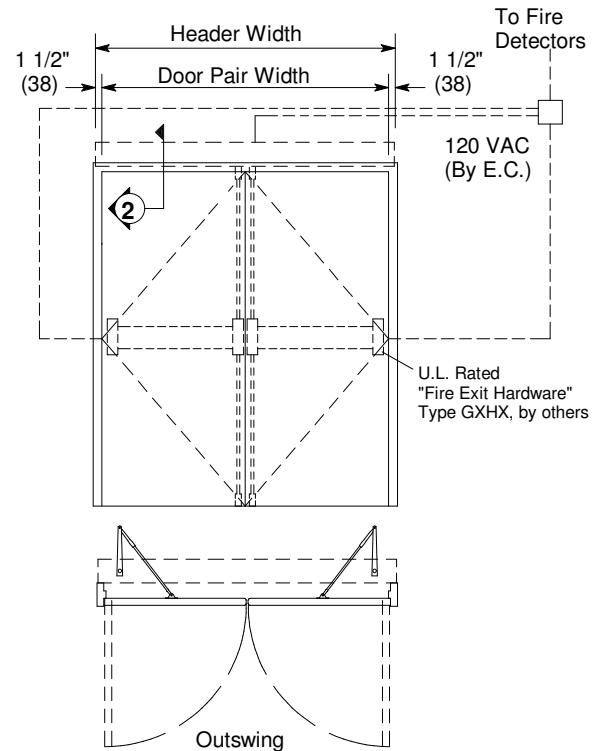
Single Units  
 Floor Plans with Elevations



Vertical Section '1'



Vertical Section '1'



Pair Unit  
 Floor Plan with Elevation

LHR-RHR  
 Outswing