



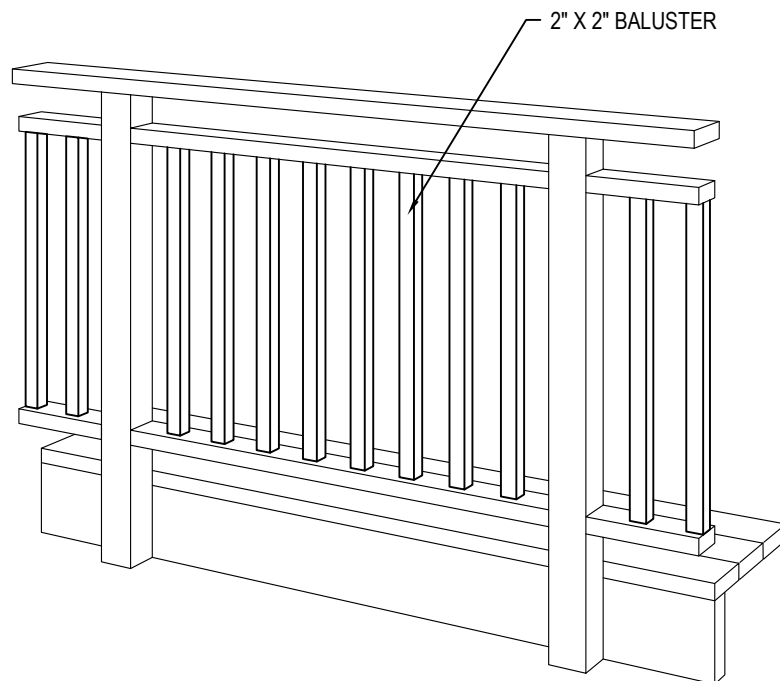
Humboldt Sawmill™

HUMBOLDT SAWMILL
3700 OLD REDWOOD HWY, SUITE 200
SANTA ROSA, CA 95403
www.getredwood.com

SELECT DESIRED STYLE:

36" SQUARE BALUSTER

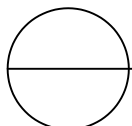
48" SQUARE BALUSTER



PERSPECTIVE

NOTES:

1. INSTALLATION TO BE COMPLETED IN ACCORDANCE WITH MANUFACTURER'S SPECIFICATIONS.
2. DO NOT SCALE DRAWING.
3. THIS DRAWING IS INTENDED FOR USE BY ARCHITECTS, ENGINEERS, CONTRACTORS, CONSULTANTS AND DESIGN PROFESSIONALS FOR PLANNING PURPOSES ONLY. THIS DRAWING MAY NOT BE USED FOR CONSTRUCTION.
4. ALL INFORMATION CONTAINED HEREIN WAS CURRENT AT THE TIME OF DEVELOPMENT BUT MUST BE REVIEWED AND APPROVED BY THE PRODUCT MANUFACTURER TO BE CONSIDERED ACCURATE.
5. CONTRACTOR'S NOTE: FOR PRODUCT AND COMPANY INFORMATION VISIT www.CADdetails.com/info AND ENTER REFERENCE NUMBER 5348-014



REDWOOD DECKING & ACCESSORIES

REDWOOD DECKING & ACCESSORIES: 2" X 2" BALUSTER