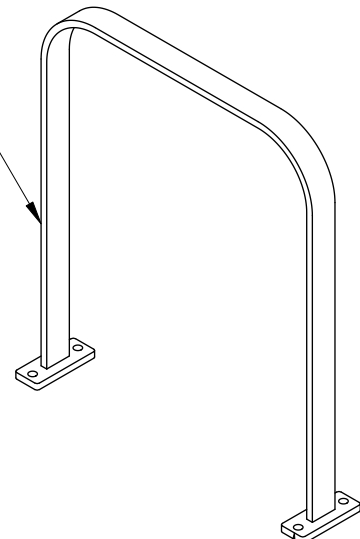


2 1/2" x 5/8" Mild Steel Flat Bar



TSI # 50096

DRAWN	JERRY	DATE	04-02-14		SHEET 1 OF 1	
CHANGED			CUSTOMER			
ENG APPR.			HUNTCO			
MFG APPR.						
Q.A.						
COMMENTS			SIZE	DWG. NO.	REV	
DO NOT SCALE DRAWING			B	HP-FB-FLPC	0	

MATERIAL : MILD STEEL
 FINISH : POWDER COAT

8 7 6 5 4 3 2 1