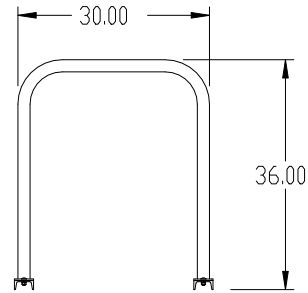
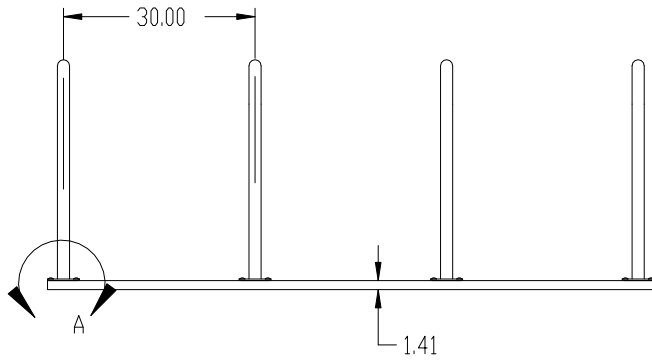
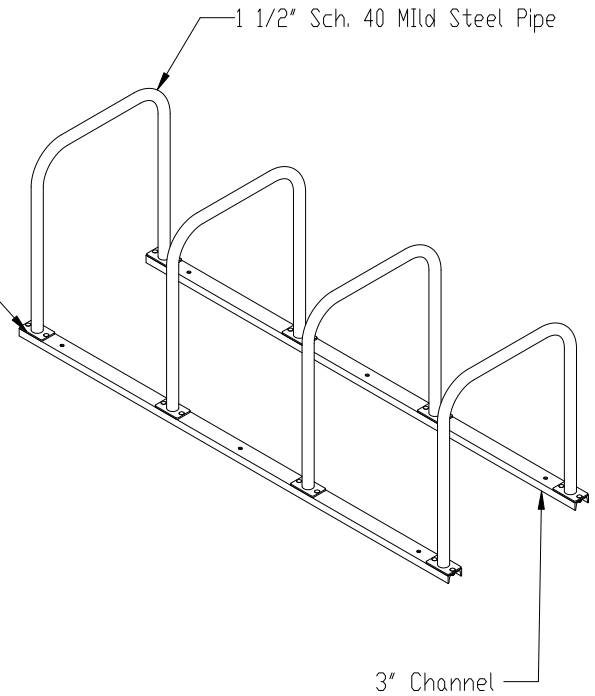
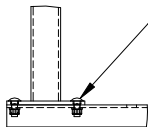


5.00 x 3.00 x .25
Mild Steel Plate
With 2 - Sq. Holes
For Carriage Bolt



DETAIL A
SCALE 1 : 9



3/8-16 Carriage Head Bolt x 1.00"
3/8-16 Hex Head Nut
3/8 Lock Washer

PROPRIETARY & CONFIDENTIAL

THE INFORMATION CONTAINED IN THIS
DRAWING IS THE SOLE PROPERTY OF HUNTCD
ANY REPRODUCTION IN PART OR AS A WHOLE
WITHOUT THE WRITTEN PERMISSION OF
HUNTCD IS PROHIBITED.

1-800-547-5909 / WWW.HUNTCD.COM

HUNTCD

BIKE RACK NAME

BIKE CORRAL STAPLE-8-KD