

InKan DOOR / SIDELITE RAILS, SADDLE AND THRESHOLDS SECTIONS

For FINISHES, see Page 02

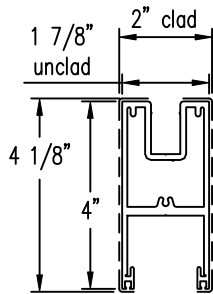
DASHED OUTLINE indicates OPTIONAL CLADDING

SOLID OUTLINE indicates CLADDING ONLY

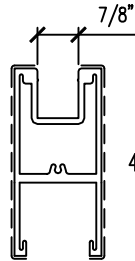
ADD 1/8" to RAIL OVERALL HEIGHT for CLADDING ALLOWANCE

ADD 1/8" to RAIL WIDTH for CLADDING ALLOWANCE

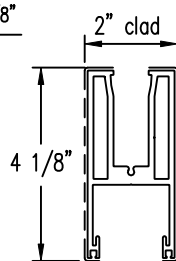
CLAD STILES are BUILT OUT 1/16" PROUD of RAIL FACE



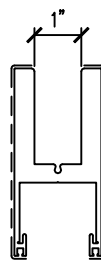
4" RAIL for
1/2" GLASS



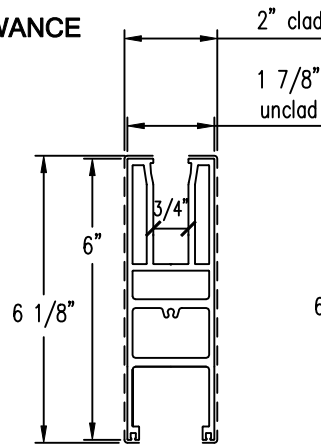
4" RAIL for
3/4" GLASS



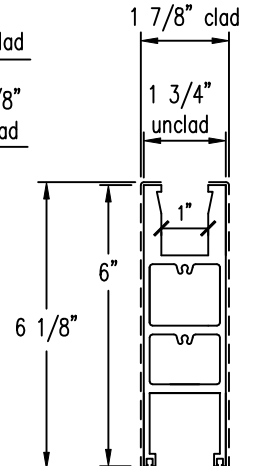
4" RAIL DEEP
POCKET RAIL
for 1/2" GLASS



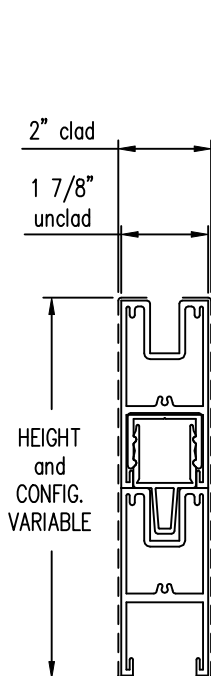
4" RAIL DEEP
SLIDING RAIL
for 1/2" 3/4" GLASS



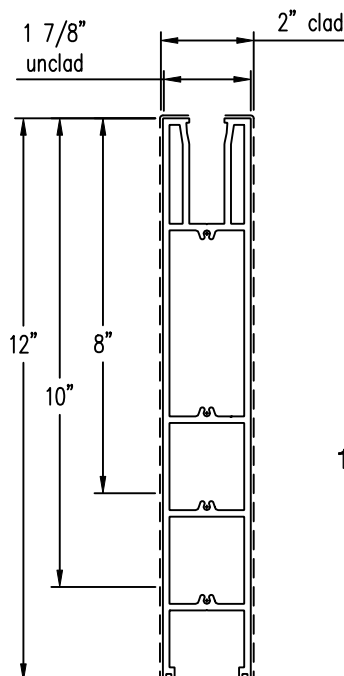
6" RAIL DEEP
1/2" GLASS



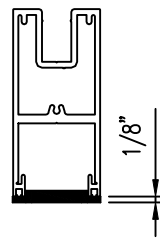
6" SPECIAL RAIL
NARROW PROFILE
3/4" GLASS



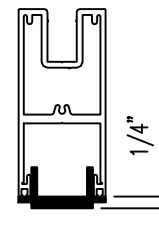
COMPOSITE RAIL for
1/2" TO 7/8" GLASS
Clad Only (ABOVE 12"+)



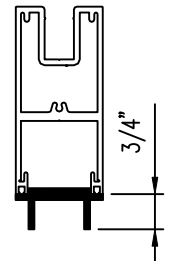
12" RAIL for
1/2" & 5/8" GLASS



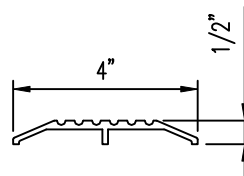
1/8" SADDLE



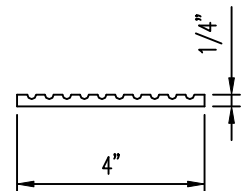
1/4" SADDLE



3/4" SADDLE



4" THRESHOLD
5", 6" and 7"
ALSO AVAILABLE



4" THRESHOLD

