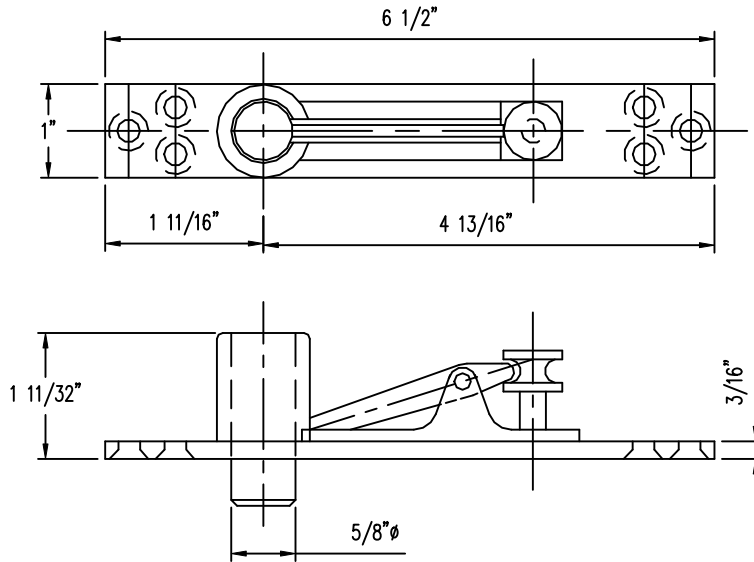


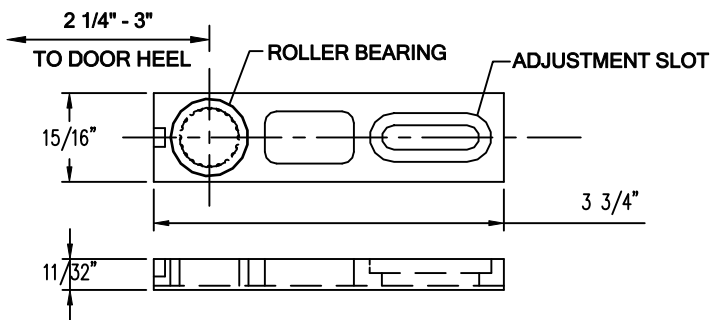
8062 WALKING BEAM PIVOT

CENTRE PIVOTING DOORS
 PIVOT HOUSED into ALUMINUM TUBE or CHANNEL
 MAXIMUM WEIGHT of DOOR: 440 lbs (200 kg)
 DOOR PORTION - #319.2 INSERT for TOP PATCH

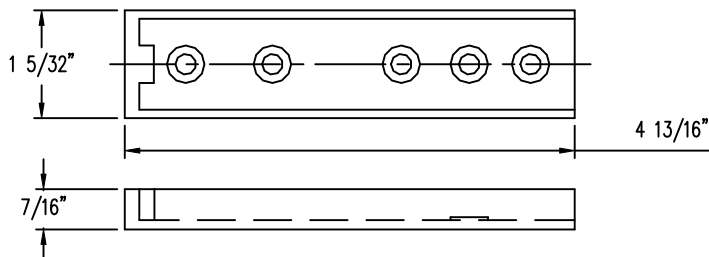
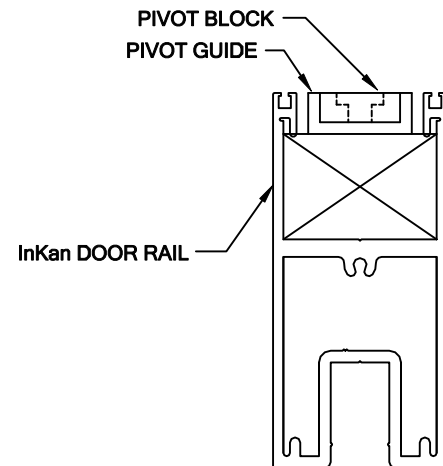


DOOR PIVOT INSERT

CENTRE PIVOTING DOORS
 PIVOT HOUSED into InKan DOOR RAIL



PIVOT BLOCK



PIVOT GUIDE