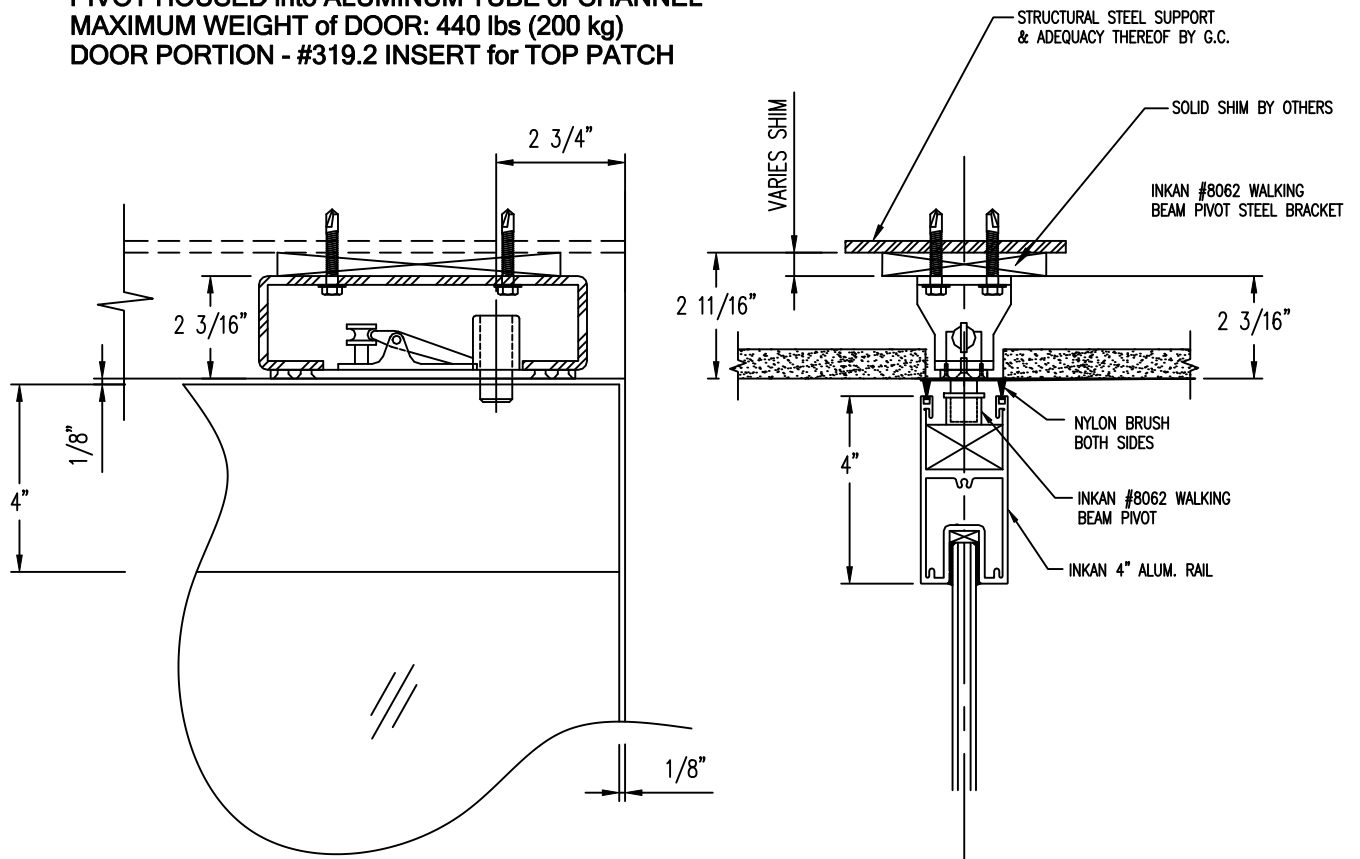


## 8062 WALKING BEAM PIVOT STEEL SUPPORT BRACKET

PIVOT HOUSED into ALUMINUM TUBE or CHANNEL  
 MAXIMUM WEIGHT of DOOR: 440 lbs (200 kg)  
 DOOR PORTION - #319.2 INSERT for TOP PATCH



## 8062 WALKING BEAM PIVOT MOUNTED IN HEADER

