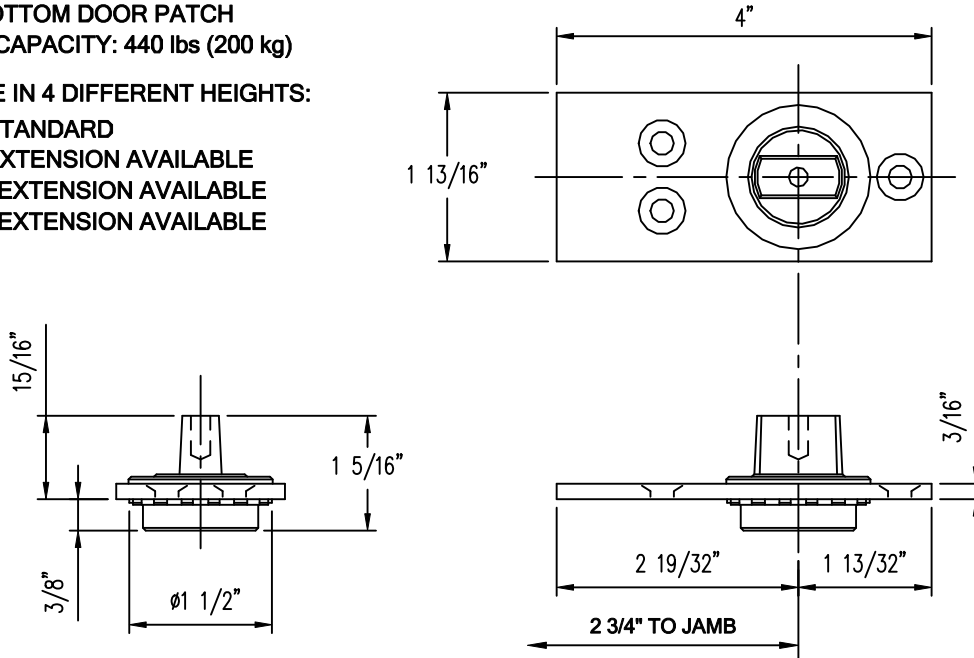


#355.5 FLOOR BEARING PIVOT

- SURFACE APPLIED to FLOOR or THRESHOLD
- FOR USE with DOOR RAIL ARM (#7421) or #319.1 BOTTOM DOOR PATCH
- WEIGHT CAPACITY: 440 lbs (200 kg)

AVAILABLE IN 4 DIFFERENT HEIGHTS:

- 8mm - STANDARD
- 5mm - EXTENSION AVAILABLE
- 10mm - EXTENSION AVAILABLE
- 15mm - EXTENSION AVAILABLE



#7471K FLOOR BEARING PIVOT

- SURFACE APPLIED to FLOOR or THRESHOLD
- FOR USE with DOOR RAIL ARM (#7421) or #319.1 BOTTOM DOOR PATCH * ON PATCH DOORS BOTTOM GAP WILL BE 11/16"
- WEIGHT CAPACITY: 440 lbs (200 kg)

