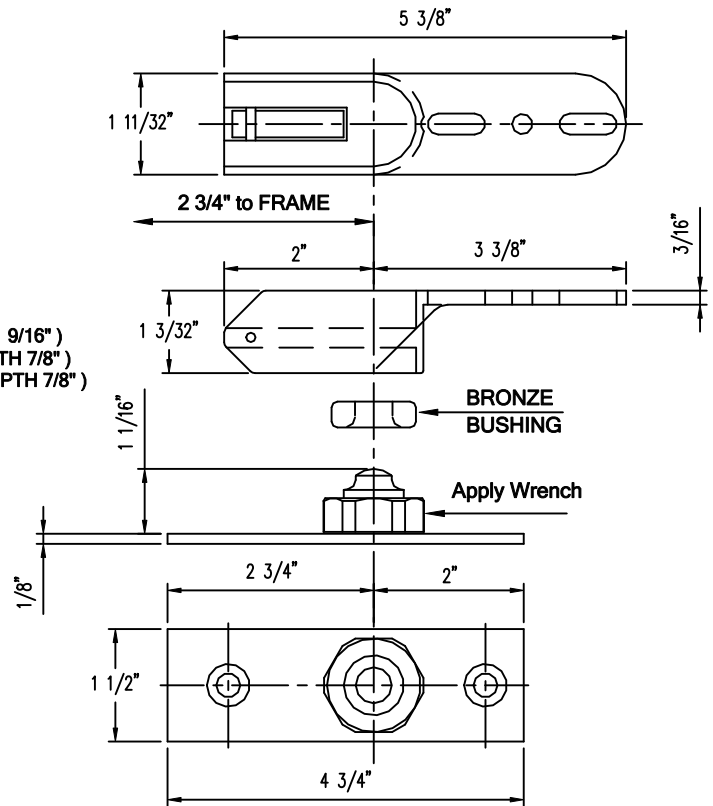


8853 BOTTOM PIVOT

FLOOR MOUNTED
 CENTRE LINE PIVOTING
 FOR USE with DOOR RAIL - 2 3/4" PIVOT POINT
 END LOADING
 1/4" ADJUSTMENT
 WEIGHT CAPACITY: 200 lbs (91 kg)

AVAILABLE IN 3 DIFFERENT HEIGHTS:

- #8853 - SHOWN STANDARD (1/4"-7/16" GAP (CHANNEL RAIL DEPTH 1 9/16")
- #8852 - AVAILABLE ON REQUEST (3/8"-5/8" GAP (CHANNEL RAIL DEPTH 7/8")
- #8855 - AVAILABLE ON REQUEST (3/16"-7/16" GAP (CHANNEL RAIL DEPTH 7/8")



8856 FLOOR PIVOT - THRESHOLD

25/32" Ø HOLE in THRESHOLD
 CENTRE LINE PIVOTING
 FOR USE with DOOR RAIL - 2 3/4" PIVOT POINT
 END LOADING
 1/4" ADJUSTMENT
 WEIGHT CAPACITY: 200 lbs (91 kg)

#8856 - SHOWN STANDARD (3/16"-7/16" GAP (CHANNEL RAIL DEPTH 1 3/8")

