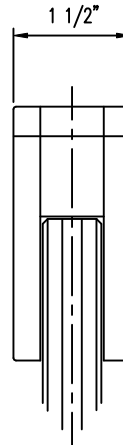
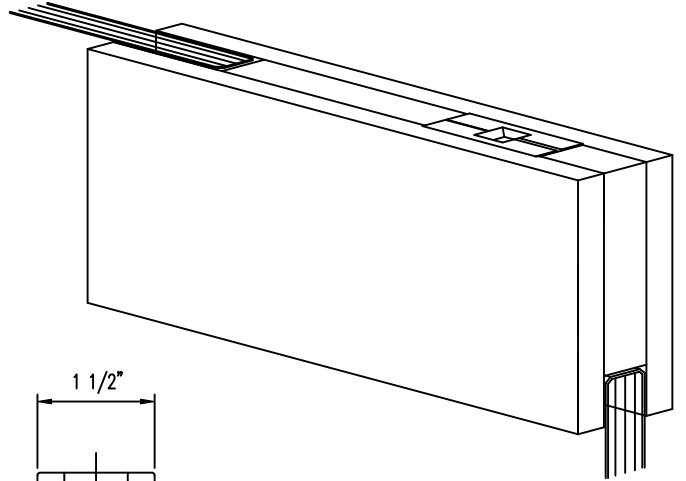
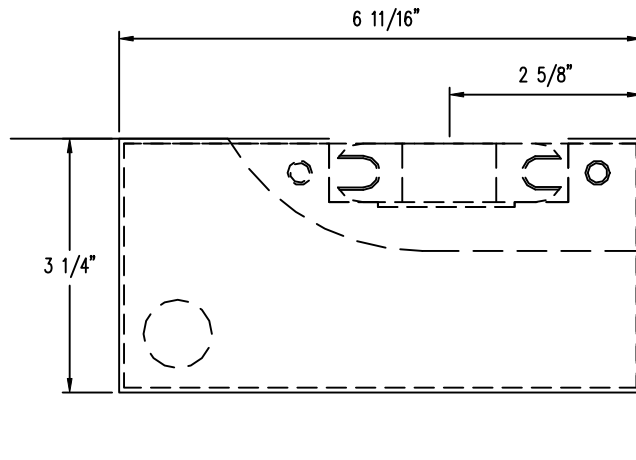


## TOP DOOR PATCH

#319.41 for DORMA 88 OVERHEAD CLOSER  
#319.2 for #156 TOP PIVOT

PATCHES for 3/4" GLASS (SPECIAL ORDER)



## BOTTOM DOOR PATCH

#319.1 for DORMA 80 FLOOR CLOSER or  
#355.5 FLOOR BEARING PIVOT

PATCHES for 3/4" GLASS (SPECIAL ORDER)

