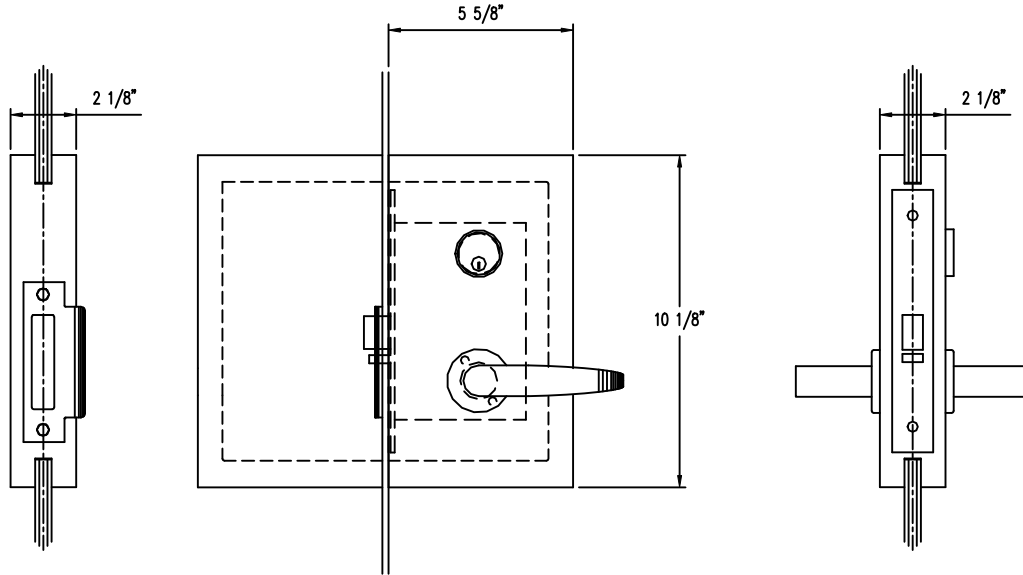


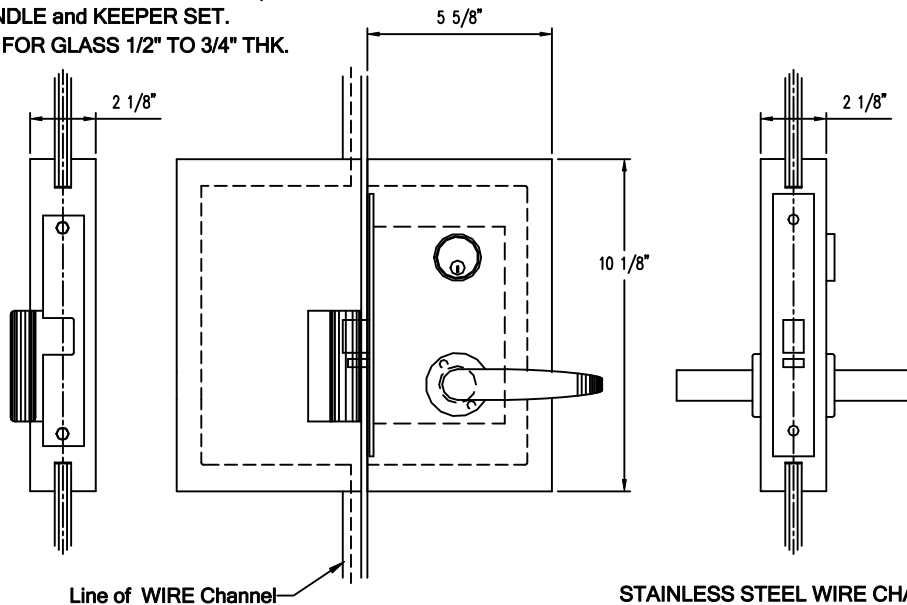
INKAN CENTRE HOUSING and KEEPER

HEAVY DUTY MORTISE LATCH LOCK,
LEVER HANDLE and KEEPER SET.
AVAILABLE FOR GLASS 1/2" TO 3/4" THK.



INKAN CENTRE HOUSING with ELECTRIC STRIKE KEEPER

HEAVY DUTY MORTISE LATCH LOCK,
LEVER HANDLE and KEEPER SET.
AVAILABLE FOR GLASS 1/2" TO 3/4" THK.



STAINLESS STEEL WIRE CHANNEL TO CONCEAL WIRES
TAMPER RESISTANT
STATIC STRENGTH 3,070 lbs. (FAIL SECURE)
DYNAMIC STRENGTH 350 ft.-lbs. (FAIL SECURE)
FAIL SECURES (STANDARD)
DUAL VOLTAGE 12VDC or 24VDC CONTINUOUS DUTY