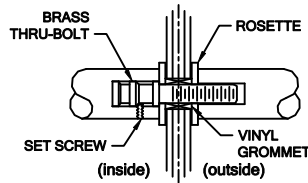


## PUSH and PULL HANDLES ( 4000 SERIES )

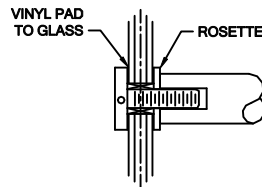
PUSH /PULLS can be MOUNTED BACK to BACK or SINGLE SIDE  
 HANDLE DIAMETER -  $\varnothing 1"$   
 ROSETTE DIAMETER - 1 1/4"  
 MATERIAL - BRASS, BRONZE, STAINLESS STEEL and ALUMINUM  
 GLASS HOLE - 5/8" $\varnothing$   
 MINIMUM FIXTURE - 3/8"  
 MAXIMUM FIXTURE - 2 1/2" STILE  
 STOCK HANDLES - ALL MATERIALS

4012 SERIES - 12" O/A HANDLES IN STOCK  
 OTHER SIZES AVAILABLE ON ORDER.

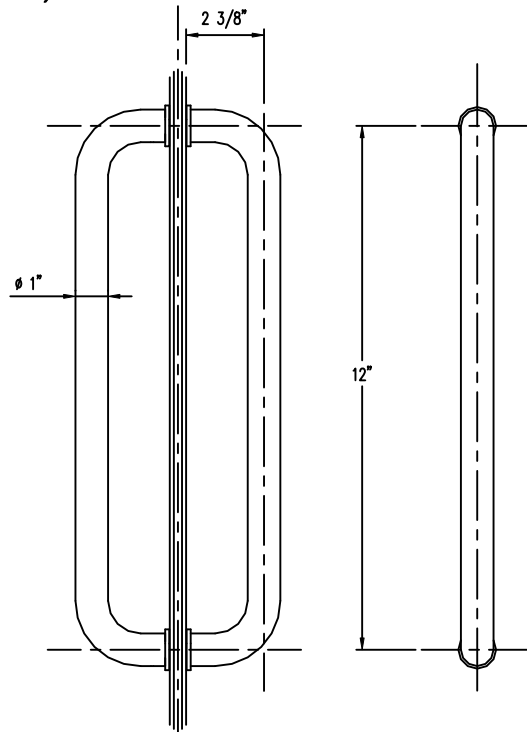
IDENTIFICATION EXAMPLES: 4012 : distance 'a' = 12"  
 4027 3/4 : distance 'a' = 27 3/4"



BACK to BACK  
MOUNTING



SECURITY FASTENER

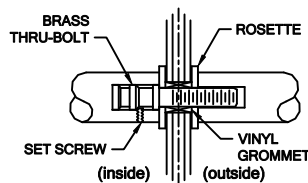


( 4012 SERIES )

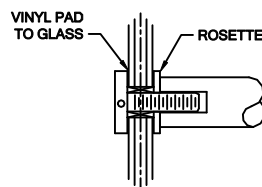
## PUSH and PULL HANDLES ( 4006 SERIES )

PUSH /PULLS can be MOUNTED BACK to BACK or SINGLE SIDE  
 HANDLE DIAMETER -  $\varnothing 3/4"$   
 ROSETTE DIAMETER - 1 1/4"  
 MATERIAL - BRASS, BRONZE, STAINLESS STEEL and ALUMINUM  
 GLASS HOLE - 5/8" $\varnothing$   
 MINIMUM FIXTURE - 3/8"  
 MAXIMUM FIXTURE - 2 1/2" STILE  
 STOCK HANDLES - ALL MATERIALS

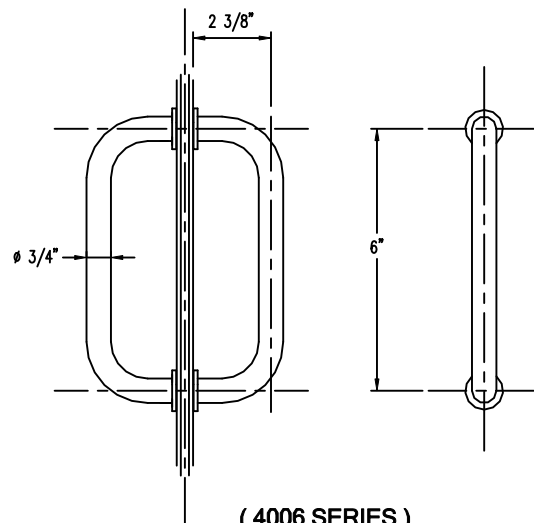
4006 SERIES - 6" O/A HANDLES IN STOCK



BACK to BACK  
MOUNTING



SECURITY FASTENER



( 4006 SERIES )