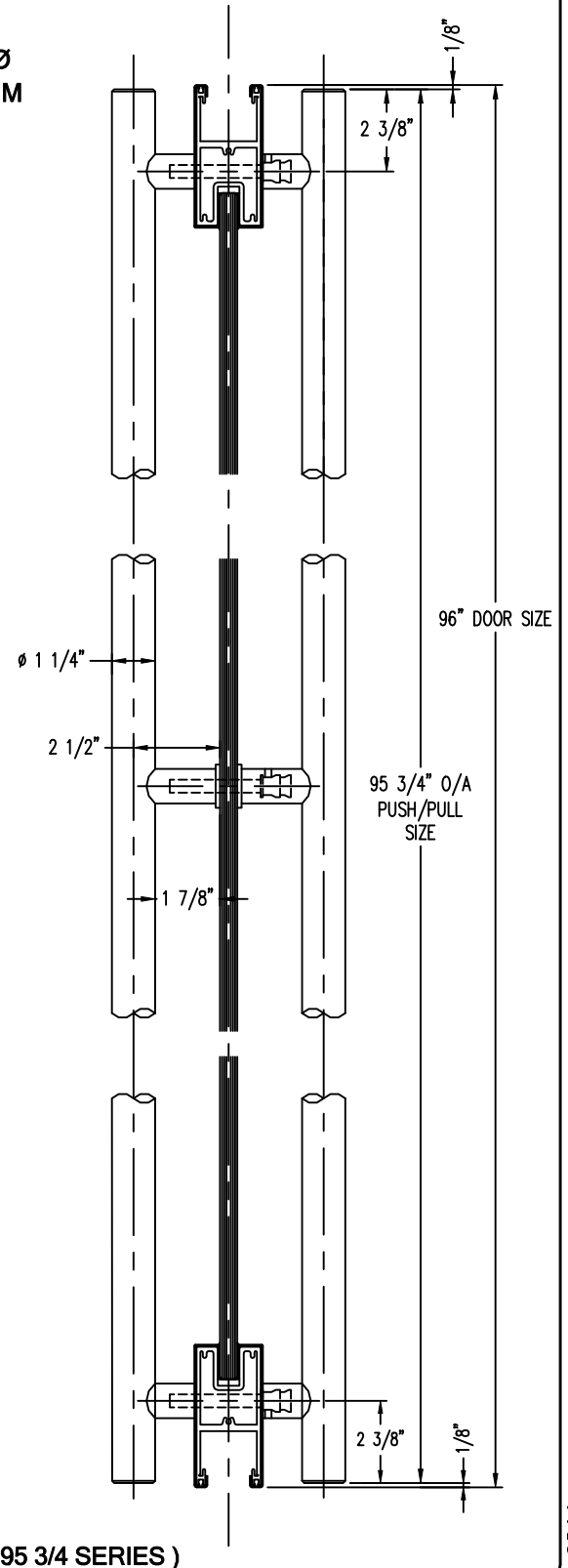
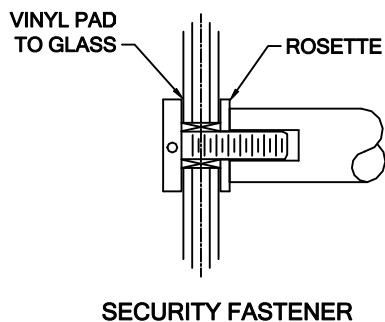
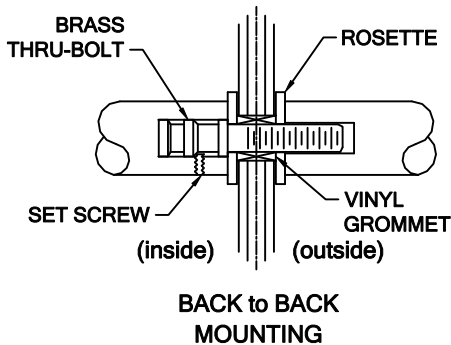


## PUSH and PULL HANDLES ( 4400 SERIES )

PUSH /PULLS can be MOUNTED BACK to BACK or SINGLE SIDE  
 HANDLE DIAMETER - Ø1 1/4"  
 ROSETTE DIAMETER - Ø1 1/4" / STANDOFF - 2 LOCATIONS 1"Ø  
 MATERIAL - BRASS, BRONZE, STAINLESS STEEL and ALUMINUM  
 GLASS HOLE - 3/4"Ø  
 MINIMUM FIXTURE - 3/8"  
 MAXIMUM FIXTURE - 2 1/2" STILE

RAIL AND GLASS MOUNTING APPLICATIONS (FULL HEIGHT PUSH/PULLS)  
 ANY SIZES AVAILABLE UPON ORDER.  
 OVER 60" SPAN BETWEEN STANDOFFS WILL REQUIRE A 3RD STANDOFF.

IDENTIFICATION EXAMPLES: 4495 3/4 : distance 'a' = 95 3/4"



( 4495 3/4 SERIES )