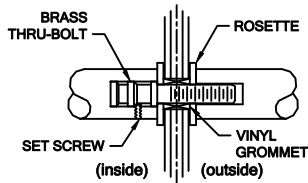


PUSH and PULL HANDLES (4500 SERIES)

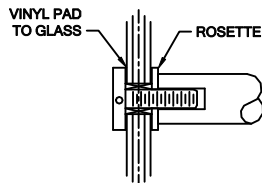
PUSH /PULLS can be MOUNTED BACK to BACK or SINGLE SIDE
 HANDLE DIAMETER - $\varnothing 1"$
 ROSETTE DIAMETER - 1 1/4"
 MATERIAL - BRASS, BRONZE, STAINLESS STEEL and ALUMINUM
 GLASS HOLE - 5/8" \varnothing
 MINIMUM FIXTURE - 3/8"
 MAXIMUM FIXTURE - 2 1/2" STILE
 STOCK HANDLES - ALL MATERIALS

CUSTOM ORDER HANDLE AVAILABLE

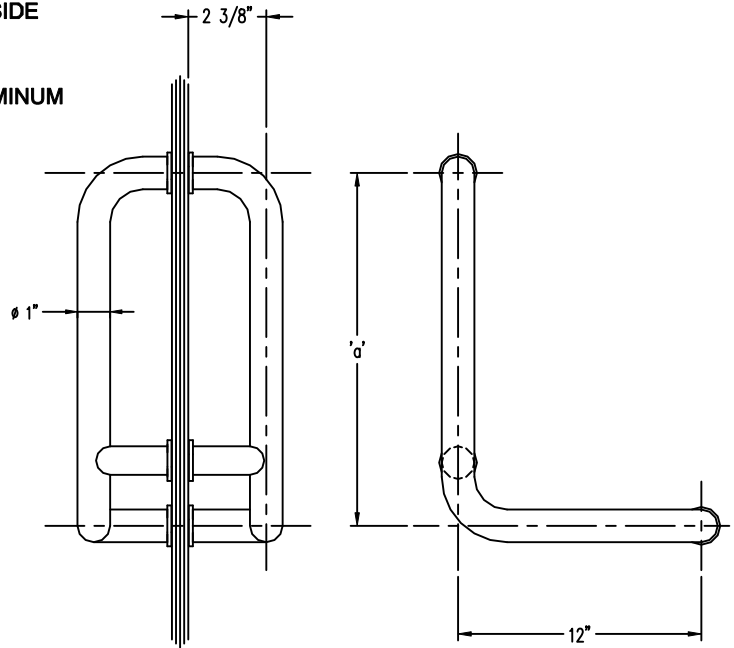
IDENTIFICATION EXAMPLES: 4512 : distance 'a' = 12"
 4527 3/4 : distance 'a' = 27 3/4"



BACK to BACK MOUNTING



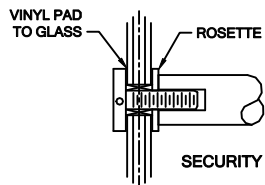
SECURITY FASTENER



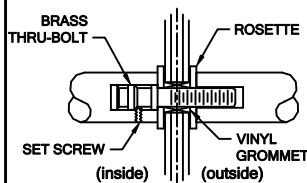
(4500 SERIES)

PUSH and PULL HANDLES (4600 SERIES)

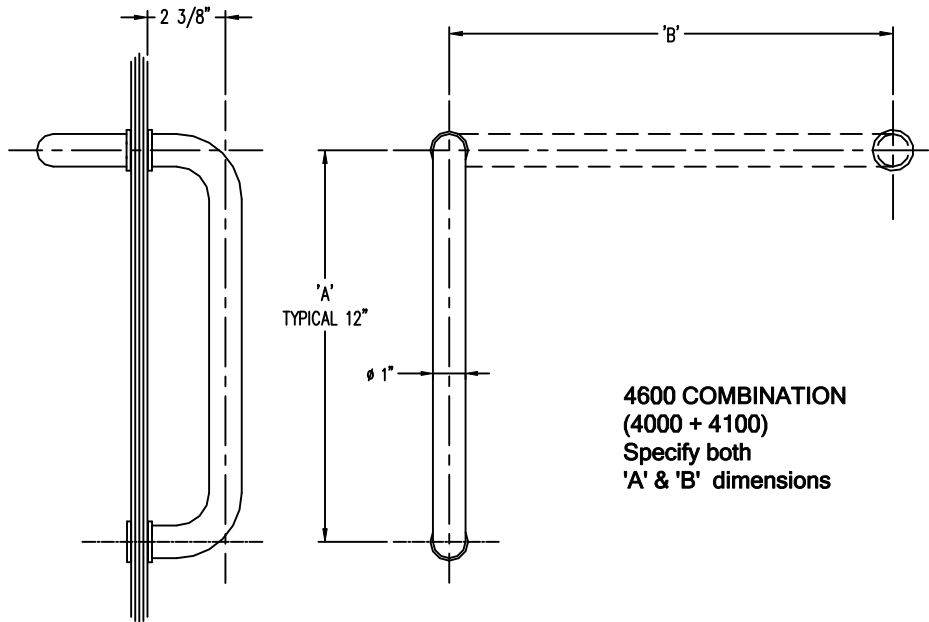
PUSH /PULLS can be MOUNTED BACK to BACK or SINGLE SIDE
 HANDLE DIAMETER - $\varnothing 1"$
 ROSETTE DIAMETER - 1 1/4"
 MATERIAL - BRASS, BRONZE, STAINLESS STEEL and ALUMINUM
 GLASS HOLE - 5/8" \varnothing
 MINIMUM FIXTURE - 3/8"
 MAXIMUM FIXTURE - 2 1/2" STILE
 STOCK HANDLES - ALL MATERIALS
 CUSTOM ORDER HANDLE AVAILABLE



SECURITY FASTENER



BACK to BACK MOUNTING



4600 COMBINATION
 (4000 + 4100)
 Specify both
 'A' & 'B' dimensions