

PUSH and PULL HANDLES (4700 SERIES)

PUSH /PULLS can be MOUNTED BACK to BACK or SINGLE SIDE

HANDLE DIAMETER - $\varnothing 1"$

ROSETTE DIAMETER - 1 1/4"

MATERIAL - BRASS, BRONZE, STAINLESS STEEL and ALUMINUM

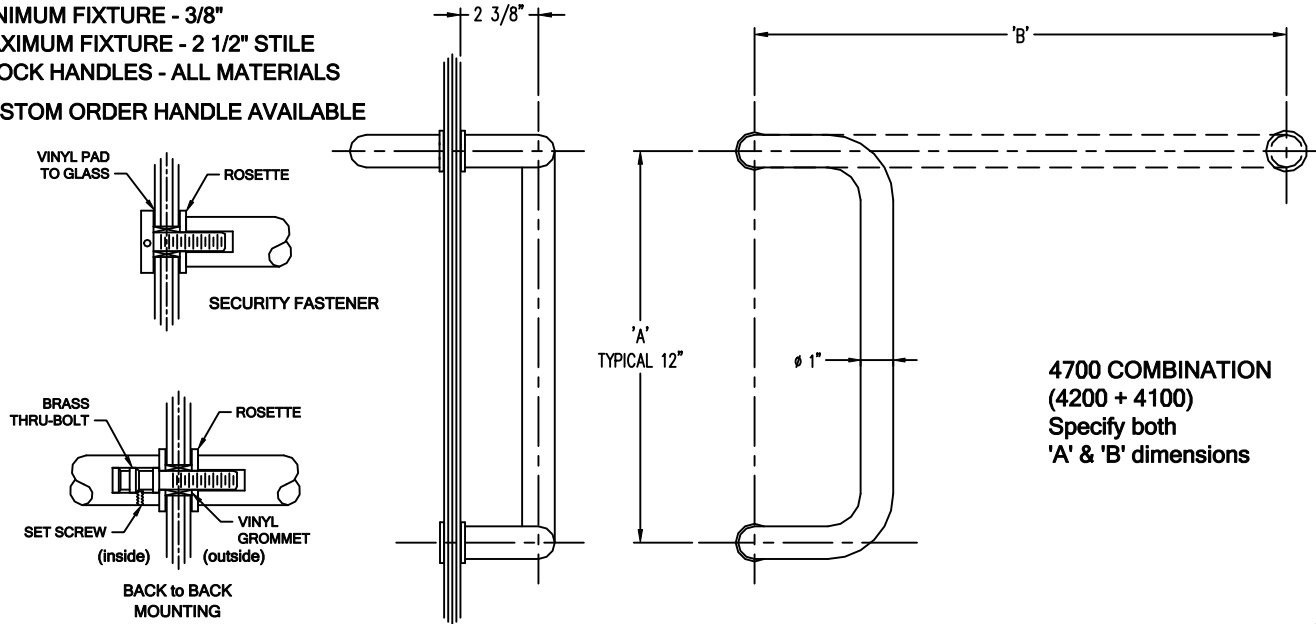
GLASS HOLE - 5/8" \varnothing

MINIMUM FIXTURE - 3/8"

MAXIMUM FIXTURE - 2 1/2" STILE

STOCK HANDLES - ALL MATERIALS

CUSTOM ORDER HANDLE AVAILABLE



4700 COMBINATION
(4200 + 4100)
Specify both
'A' & 'B' dimensions