

## STANDARD InKan WEATHER-STRIP

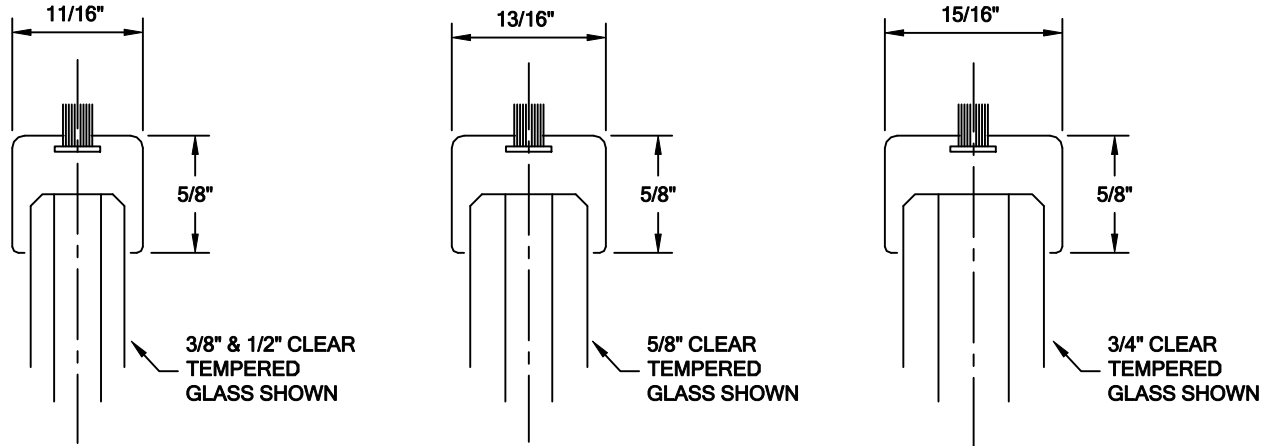
for 3/8", 1/2", 5/8" and 3/4" GLASS

MATERIAL: BRASS, BRONZE OR STAINLESS STEEL.

FINISH: BRUSHED (BLEND 'S') OR MIRROR FINISH.

INSTOCK STAINLESS STEEL FOR 1/2". 5/8" & 3/4"

SLIDE IN MOHAIR PILE.



## STANDARD InKan WEATHER-STRIP

for 3/8" & 1/2" and 3/4" to 15/16" GLASS

MATERIAL: ALUMINUM

FINISH: ANODIZED. - IN STOCK

SPECIAL ORDER:

BLACK, BRONZE K-40, BRONZE K-26, CHAMPAGNE,  
STAINLESS STEEL, CLEAR, GOLD, GREEN, BLUE AND RED

SLIDE IN MOHAIR PILE.

