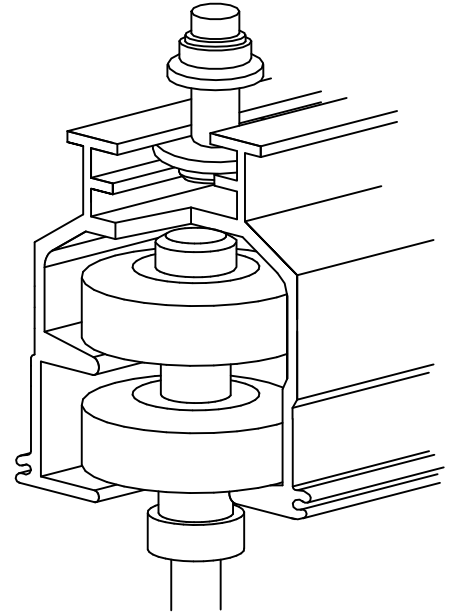
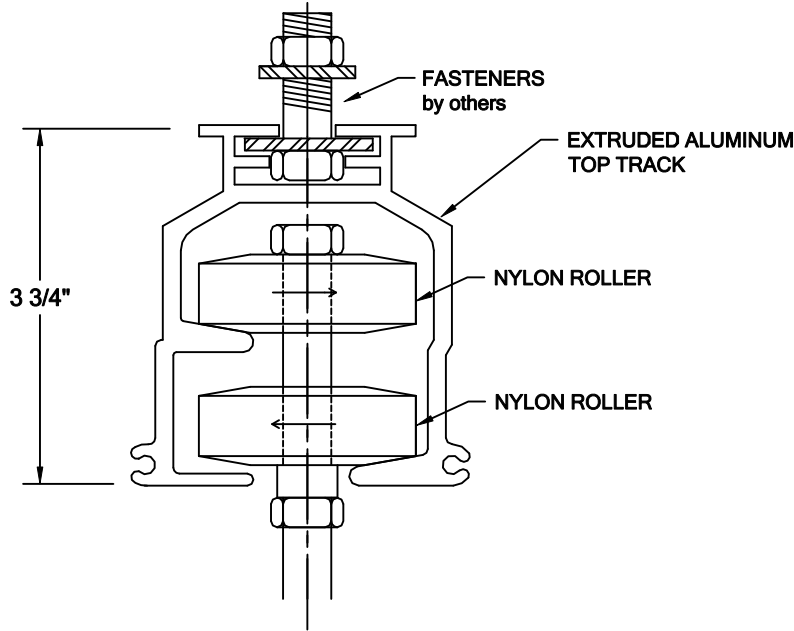


ST90 TOP TRACK and ROLLER

For 520 SLIDERS

PANEL WEIGHT NOT TO EXCEED 273 Kg (600 lbs.)
(FOR MAINTENANCE REPAIRS ONLY)

ADEQUATE STRUCTURAL SUPPORT REQUIRED.
Adequacy to be determined by project architect
and/or structural engineer.



HSW TOP TRACK and ROLLER

For 520, 530 & 540 SLIDERS

PANEL WEIGHT NOT TO EXCEED 150 Kg (330 lbs.)

ADEQUATE STRUCTURAL SUPPORT REQUIRED.
Adequacy to be determined by project architect
and/or structural engineer.

