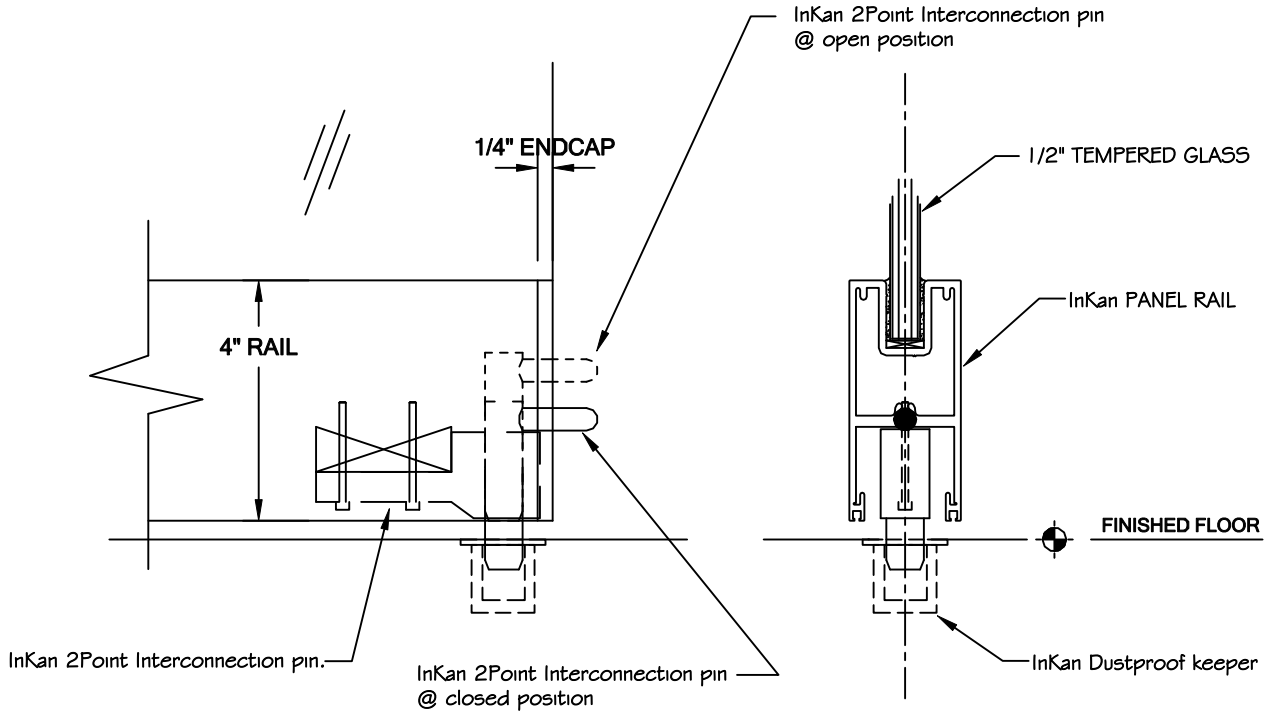


## InKan 2 Point Interconnecting pin

used with HSW sliding system (SERIES 520, 530 & 540 SLIDERS)



## InKan 1 Point Interconnecting pin

used with HSW sliding system (SERIES 520, 530 & 540 SLIDERS)

