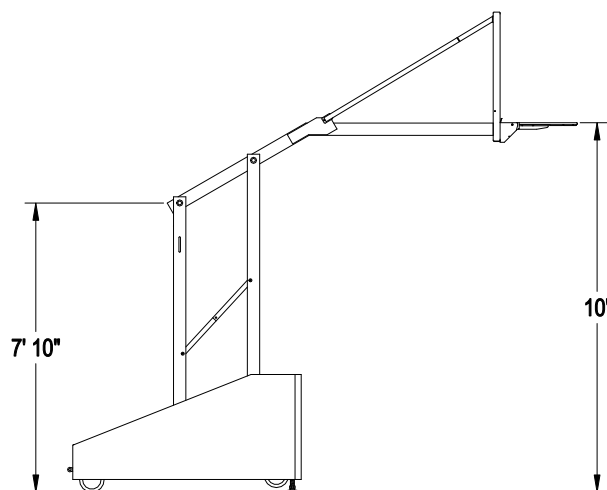
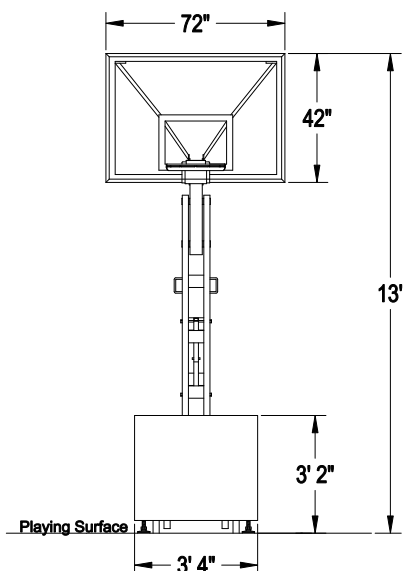


STORAGE POSITION



Portable Basketball System shall provide a 42" x 72" glass backboard and competition breakaway goal on a fully padded portable base. Face of backboard shall be a minimum of 54" from the front of the padded base when rim is at 10'. Backboard shall be 1/2" tempered glass with official white border and shooter's square and extruded aluminum frame. Backboard shall be designed so that the basketball rim mounts through the glass into the horizontal extension of the base to reduce stress on the glass during play. Breakaway goal shall have continuous netlocks. Backboard padding shall be bolt-on molded urethane with steel inserts molded into the padding and available in 17 colors. Backboard and goal shall be suspended by means of a pivoting, welded steel structure that uses extension spring technology to counterbalance the weight of the backboard and goal to raise and lower the goal for play and storage. Primary structural steel components shall be a minimum of 4" x 4" and 4" x 2" tubing. All pivot points to facilitate lowering for storage shall be 1 1/4" steel pivot pins riding on self lubricating bearings. Welded base shall provide a fully enclosed ballast compartment that is properly loaded with ballast at the factory. Goal shall be raised and lowered by one person and locked at the desired rim height or storage position by means of a telescoping height adjustment mechanism that has permanent rim height markings. Rim shall be capable of height settings from 5' to 10' in 6" increments. All steel components shall have a white textured polyester powder coated finish. Entire basketball system shall rest on the floor when in the storage position on four (4), 8" diameter, 2" wide urethane casters. When rolled into playing position, front of system shall be lifted from the front wheels onto two 4" diameter urethane stabilizer pads. Stabilizer pads shall be lowered by means of a threaded lead screw located at the top front corners of the base. Entire front and sides of the base and front of the structural upright shall be padded a minimum of 2" thick in choice of 17 colors. Front locator pins and floor locator bushings shall be standard with the system. Rear hold-downs are optional accessories, order BA898HD. System weight shall be approximately 1700#. The padded base shall be approximately 76" wide x 124" long x 78" high. Installation to be completed in accordance to manufacturer's instructions. Do not scale drawings. Components shall carry the following minimum warranties. Backboard, limited lifetime; Structure, 10-year limited; Padding, 1-year replacement and Breakaway Goal, 1-year.



## PRODUCT SPECIFICATION

BA894GSR T-Rex™ 54 Portable Basketball System

REVISED 8/01/19