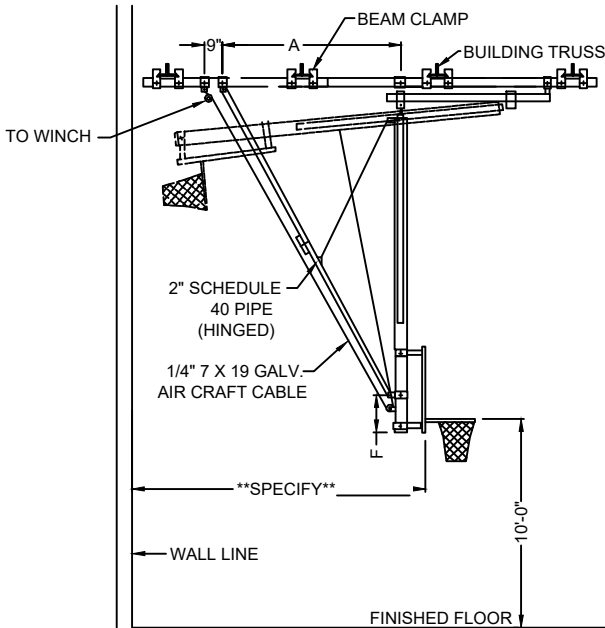
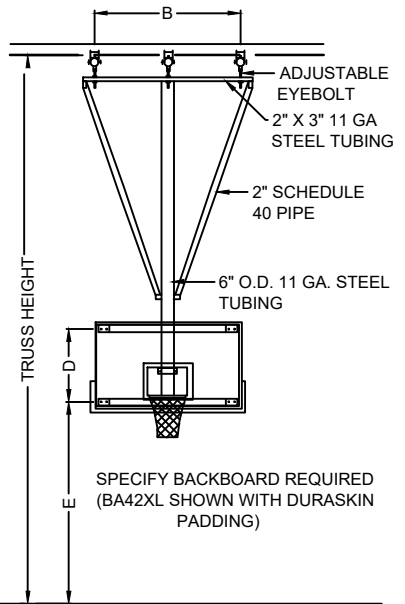


SUPPORT PIPE MAY BE
TURNED EITHER DIRECTION



SIDE ELEVATION



FRONT ELEVATION

NOTES:

1. INSTALLATION TO BE COMPLETED IN ACCORDANCE WITH MANUFACTURER'S SPECIFICATIONS.
2. DO NOT SCALE DRAWING.



PRODUCT SPECIFICATION

IP1345FRBF: Y-FRAME FORWARD ROLL, BACKWARD FOLD BASKETBALL BACKSTOP



REVISED 10/14/20

BACKSTOP MAIN FRAME ASSEMBLY SHALL CONSIST OF A MAIN CENTRAL MAST OF 6" O.D. 11 GAUGE STEEL TUBING, DIAGONAL SWAY BRACES OF 2" SCHEDULE 10 PIPE AND A HORIZONTAL SPREADER OF 2" X 3" 11 GAUGE STEEL TUBING. ASSEMBLED, THE COMPONENTS FORM A RIGID, BACK-TO-BACK TRIANGLE UNIT. ALL BACKSTOPS WITH AN ATTACHMENT HEIGHT OF LESS THAN 28'-0", WILL BE SHIPPED AS A COMPLETELY WELDED ASSEMBLY. **FOR BACKSTOPS WITH AN ATTACHMENT HEIGHT OF 28'0" OR GREATER, BACKSTOP FRAME WILL BE SHIPPED WITH FITTINGS TO BE BOLTED TOGETHER AT THE JOB-SITE.** MAIN FRAME ASSEMBLY SHALL BE SUPPLIED WITH 1" DIAMETER 12" LONG EYEBOLTS TO PROVIDE ADJUSTABILITY TO LEVEL FRAME DURING INSTALLATION. ALL BEARING POINTS SHALL OPERATE ON PRECISION BRONZE OILLESS TYPE BEARINGS. SPECIAL HANGERS SHALL BE FURNISHED TO ENABLE THE MAIN FRAME ASSEMBLY TO ROLL FORWARD ON A TRACK OF 2" X 2" 11 GAUGE STEEL TUBING, THUS ALLOWING THE BACKSTOP TO FOLD IN A COMPACTED SPACE.

BACK BRACE OF 2" SCHEDULE 10 PIPE SHALL INCLUDE A HINGED JOINT. THE HINGED JOINT LOCKS THE BACKBOARD INTO THE PLAYING POSITION AND IS EASILY DISENGAGED WHEN THE HOIST CABLE PULLS THE HINGE JOINT OPEN. BRAE FITTINGS ARE ADJUSTABLE TO PRECISELY PLUMB THE FACE OF THE BACKBOARD.

BACKSTOP SHALL BE SUSPENDED FROM A SUPERSTRUCTURE (OF CONFIGURATION REQUIRED FOR ATTACHMENT TO BUILDING SUPPORT MEMBERS) OF 3" SCHEDULE 40 PIPE. WHEN BUILDING MEMBERS ARE SPACED MORE THAN 16'-0" APART, HORIZONTAL 3" SCHEDULE 40 SUPPORT PIPE SHALL BE REINFORCED WITH 1 1/2" SCHEDULE 10 STEEL PIPE AND SPACERS WELDED TO FOR BRIDGING. FOR BUILDINGS WITH A SLOPED STRUCTURE, OR EXCESSIVE HEIGHT, DROP CRADLES WILL BE REQUIRED.

ALL METAL PARTS, WITH THE EXCEPTION OF GALVANIZED OR PLATED PARTS, SHALL HAVE A POLYESTER POWDER COATED FINISH OR SHALL BE PRIMED SUITABLE FOR FIELD PAINTING BY CONTRACTOR.



PRODUCT SPECIFICATION

IP1345FRBF: Y-FRAME FORWARD ROLL, BACKWARD FOLD BASKETBALL BACKSTOP

REVISED 10/14/20

BACKSTOP MAIN FRAME ASSEMBLY SHALL CONSIST OF A MAIN CENTRAL MAST OF 6" O.D. 11 GAUGE STEEL TUBING, DIAGONAL SWAY BRACES OF 2" SCHEDULE 10 PIPE AND A HORIZONTAL SPREADER OF 2" X 3" 11 GAUGE STEEL TUBING. ASSEMBLED, THE COMPONENTS FORM A RIGID, BACK-TO-BACK TRIANGLE UNIT. ALL BACKSTOPS WITH AN ATTACHMENT HEIGHT OF LESS THAN 28'-0", WILL BE SHIPPED AS A COMPLETELY WELDED ASSEMBLY. **FOR BACKSTOPS WITH AN ATTACHMENT HEIGHT OF 28'0" OR GREATER, BACKSTOP FRAME WILL BE SHIPPED WITH FITTINGS TO BE BOLTED TOGETHER AT THE JOB-SITE.** MAIN FRAME ASSEMBLY SHALL BE SUPPLIED WITH 1" DIAMETER 12" LONG EYEBOLTS TO PROVIDE ADJUSTABILITY TO LEVEL FRAME DURING INSTALLATION. ALL BEARING POINTS SHALL OPERATE ON PRECISION BRONZE OILLESS TYPE BEARINGS. SPECIAL HANGERS SHALL BE FURNISHED TO ENABLE THE MAIN FRAME ASSEMBLY TO ROLL FORWARD ON A TRACK OF 2" X 2" 11 GAUGE STEEL TUBING, THUS ALLOWING THE BACKSTOP TO FOLD IN A COMPACTED SPACE.

BACK BRACE OF 2" SCHEDULE 10 PIPE SHALL INCLUDE A HINGED JOINT. THE HINGED JOINT LOCKS THE BACKBOARD INTO THE PLAYING POSITION AND IS EASILY DISENGAGED WHEN THE HOIST CABLE PULLS THE HINGE JOINT OPEN. BRAE FITTINGS ARE ADJUSTABLE TO PRECISELY PLUMB THE FACE OF THE BACKBOARD.

BACKSTOP SHALL BE SUSPENDED FROM A SUPERSTRUCTURE (OF CONFIGURATION REQUIRED FOR ATTACHMENT TO BUILDING SUPPORT MEMBERS) OF 3" SCHEDULE 40 PIPE. WHEN BUILDING MEMBERS ARE SPACED MORE THAN 16'-0" APART, HORIZONTAL 3" SCHEDULE 40 SUPPORT PIPE SHALL BE REINFORCED WITH 1 1/2" SCHEDULE 10 STEEL PIPE AND SPACERS WELDED TO FOR BRIDGING. FOR BUILDINGS WITH A SLOPED STRUCTURE, OR EXCESSIVE HEIGHT, DROP CRADLES WILL BE REQUIRED.

ALL METAL PARTS, WITH THE EXCEPTION OF GALVANIZED OR PLATED PARTS, SHALL HAVE A POLYESTER POWDER COATED FINISH OR SHALL BE PRIMED SUITABLE FOR FIELD PAINTING BY CONTRACTOR.



PRODUCT SPECIFICATION

IP1345FRBF: Y-FRAME FORWARD ROLL, BACKWARD FOLD BASKETBALL BACKSTOP

REVISED 10/14/20