

METACRYLICS

ACRYLIC RESTORATION COATING SYSTEM ROOF DETAILS

ACRYLIC
COATING
SYSTEM

SEAL:

DRAWING INDEX:

- C-01 - COVER PAGE & DRAWING INDEX SHEET
- A-01 - BUR CAPSHEET
- A-02 - BRAI TORCHDOWN
- A-03 - TPO
- A-04 - METAL- CORRUGATED, STANDING SEAM, R-PANEL
- A-05 - EPDM
- A-06 - FOAM
- A-07 - CONCRETE
- A-08 - RE-COAT OVER ACRYLIC COATED SURFACE
- A-09 - TILE ROOF

REV:

JOB NUMBER:

SCALE:

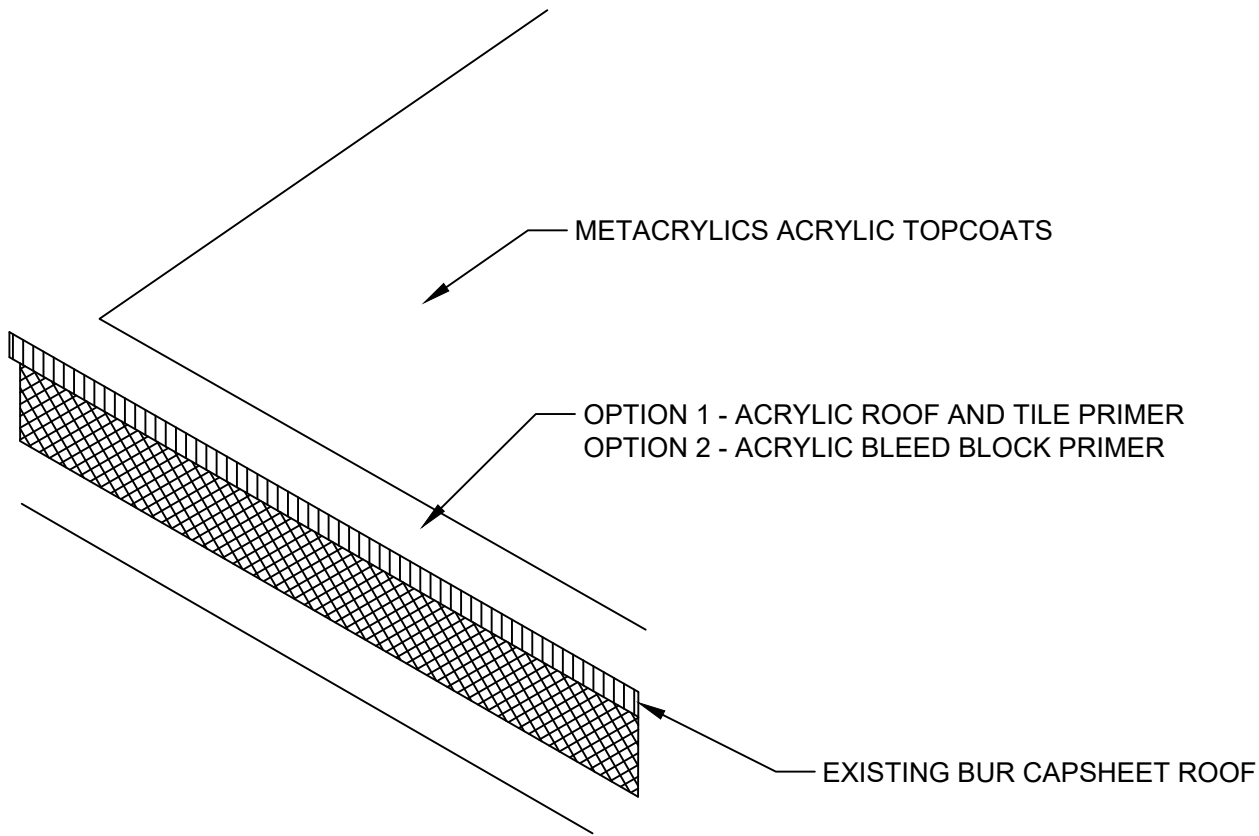
DATE: 09-25-17

DRAWN BY:
DHALSELL

CHECKED BY:

SHEET:

C-01



**ACRYLIC
COATING
SYSTEM**

SEAL:

REV:

JOB NUMBER:

SCALE:

DATE: 09-25-17

DRAWN BY: DHALSELL

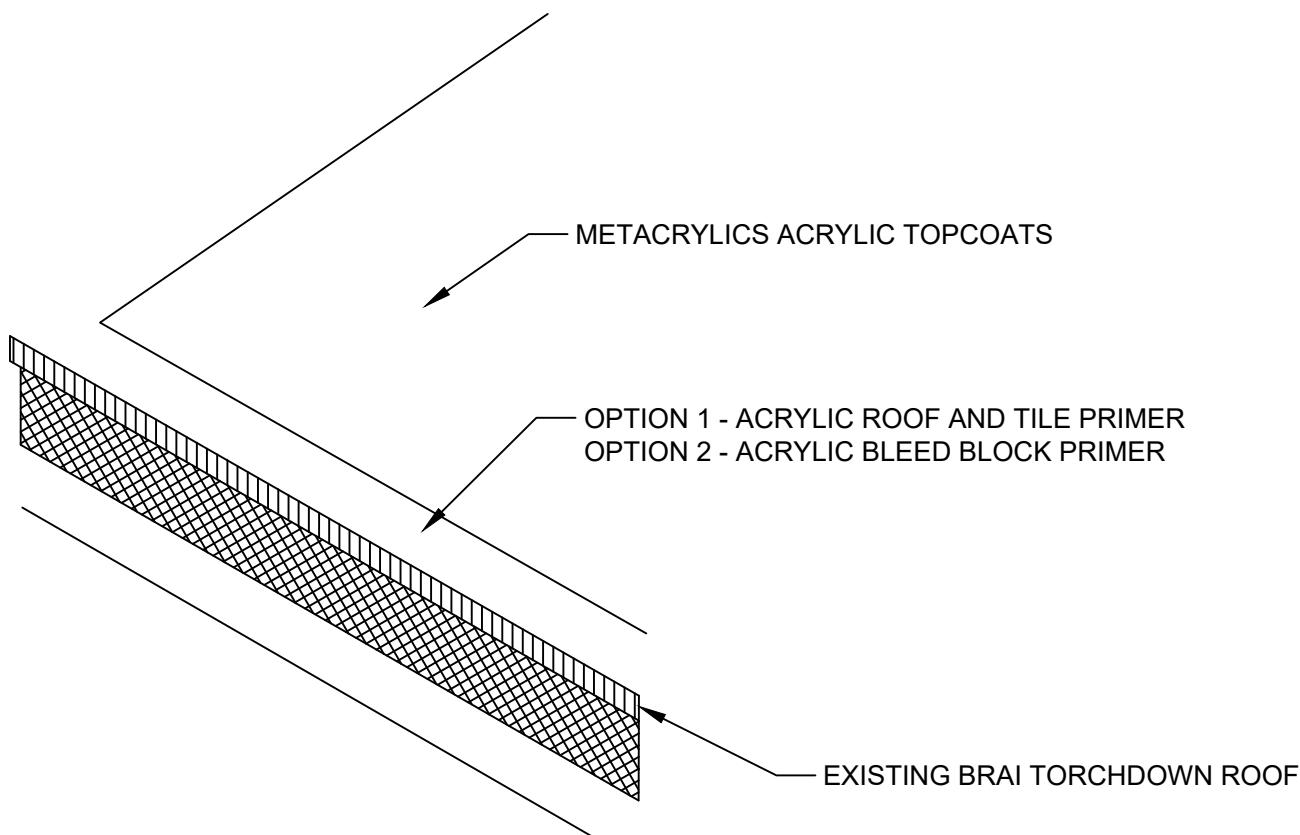
CHECKED BY:

SHEET:
A-01

**BUR CAPSHEET ACRYLIC RESTORATION
COATING SYSTEM**

NOTES:

1. FIELD SEAMS SHOULD BE SEALED AND REINFORCED BY EITHER 3-COURSING THE SEAM WITH ACRYLIC GEL AND POLYESTER FABRIC OR ACRYLIC BASE AND FABRIC.
2. ALL ROOF TOP PENETRATIONS, DRAINS, SCUPPERS, FLASHING, SKYLIGHTS, & PARAMETER EDGE FLASHING ARE REQUIRED TO BE SEALED OR REINFORCED BY 3-COURSING WITH ACRYLIC GEL & POLYESTER FABRIC.
3. METACRYLICS ACRYLIC BLEED BLOCK PRIMER PREVENTS THE ASPHALT OILS FROM BLEEDING THROUGH THE ACRYLIC AND DISCOLORING IT.



ACRYLIC
COATING
SYSTEM

BRAI TORCHDOWN ACRYLIC RESTORATION
COATING SYSTEM

SEAL:

REV:

JOB NUMBER:

SCALE:

DATE: 09-25-17

DRAWN BY: DHALSELL

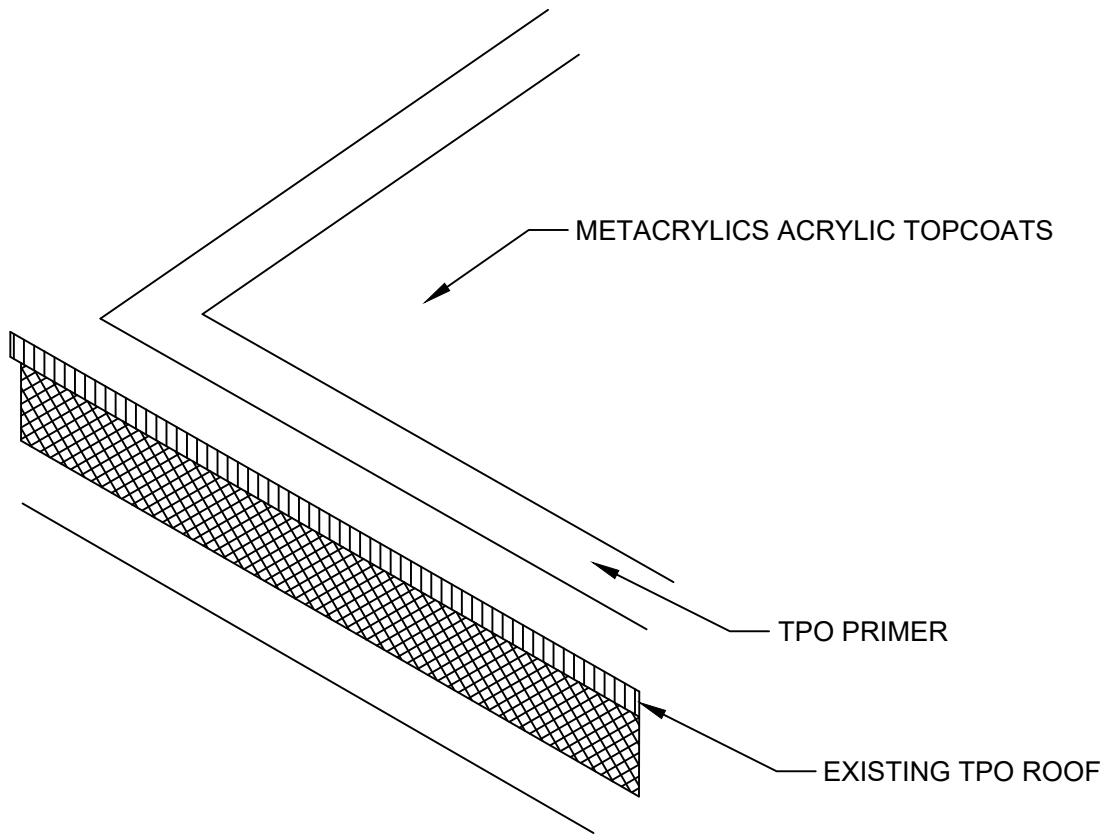
CHECKED BY:

SHEET:

A-02

NOTES:

1. FIELD SEAMS SHOULD BE SEALED AND REINFORCED BY EITHER 3-COURSING THE SEAM WITH ACRYLIC GEL AND POLYESTER FABRIC OR ACRYLIC BASE AND FABRIC.
2. ALL ROOF TOP PENETRATIONS, DRAINS, SCUPPERS, FLASHING, SKYLIGHTS, & PARAMETER EDGE FLASHING ARE REQUIRED TO BE SEALED OR REINFORCED BY 3-COURSING WITH ACRYLIC GEL & POLYESTER FABRIC.
3. METACRYLICS ACRYLIC BLEED BLOCK PRIMER PREVENTS THE ASPHALT OILS FROM BLEEDING THROUGH THE ACRYLIC AND DISCOLORING IT.



**ACRYLIC
COATING
SYSTEM**

**TPO ACRYLIC RESTORATION
COATING SYSTEM**

SEAL:

REV:

JOB NUMBER:

SCALE:

DATE: 09-25-17

DRAWN BY: DHALSELL

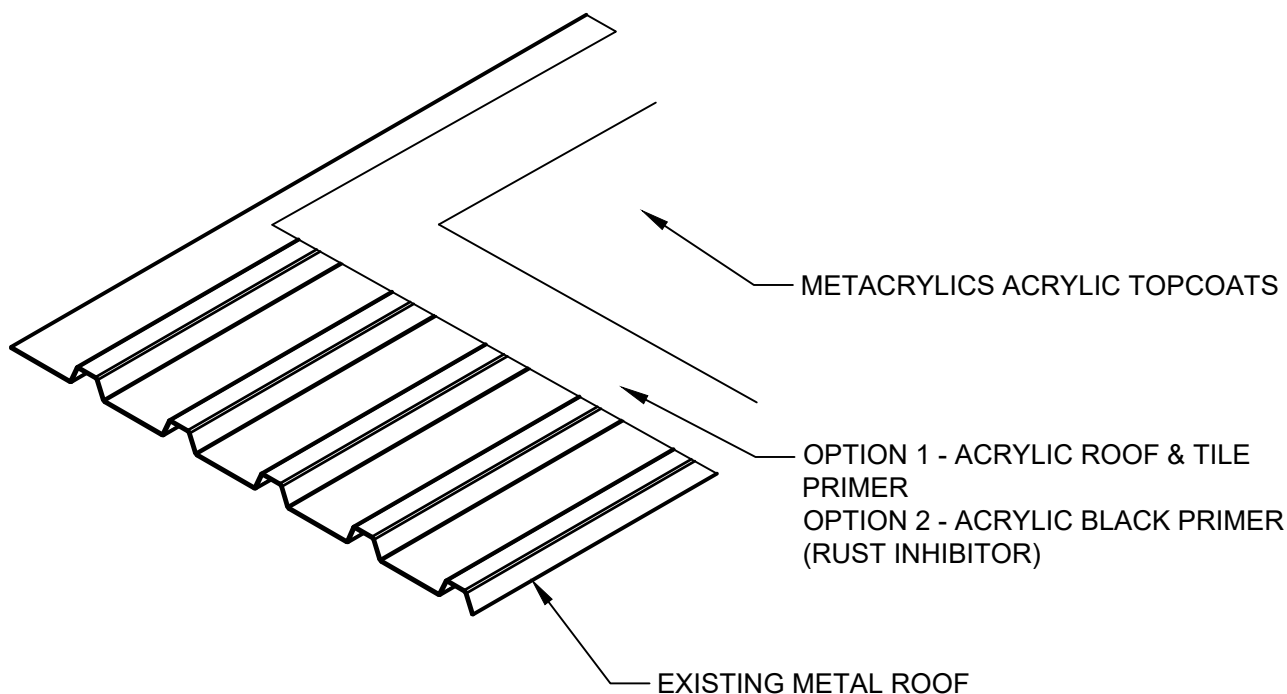
CHECKED BY:

SHEET:

A-03

NOTES:

1. FIELD SEAMS SHOULD BE SEALED AND REINFORCED BY EITHER 3-COURSING THE SEAM WITH ACRYLIC GEL AND POLYESTER FABRIC OR ACRYLIC BASE AND FABRIC.
2. ALL ROOF TOP PENETRATIONS, DRAINS, SCUPPERS, FLASHING, SKYLIGHTS, & PARAMETER EDGE FLASHING ARE REQUIRED TO BE SEALED OR REINFORCED BY 3-COURSING WITH ACRYLIC GEL & POLYESTER FABRIC.



**ACRYLIC
COATING
SYSTEM**

**METAL ACRYLIC RESTORATION
COATING SYSTEM**

SEAL:

REV:

JOB NUMBER:

SCALE:

DATE: 09-25-17

DRAWN BY: DHALSELL

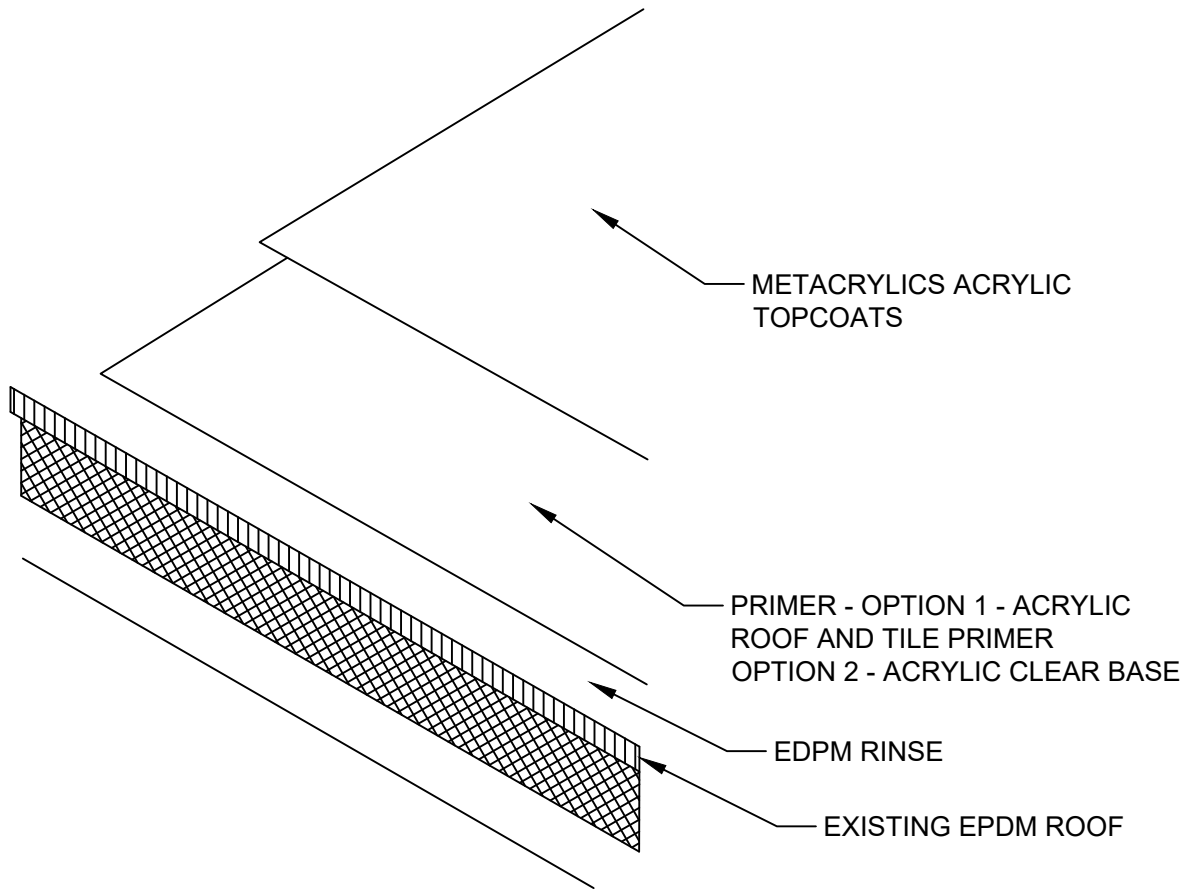
CHECKED BY:

SHEET:

A-04

NOTES:

1. ACRYLIC SURFACES ARE VERY SLIPPERY WHEN WET. ADDING NON-SLIP SURFACING TO HIGH FOOT TRAFFIC AREAS IS RECOMMENDED FOR SLOPED SURFACES.
2. FIELD SEAMS SHOULD BE SEALED AND REINFORCED BY EITHER 3-COURSING THE SEAM WITH ACRYLIC GEL AND POLYESTER FABRIC OR ACRYLIC BASE AND FABRIC.
3. ALL ROOF TOP PENETRATIONS, DRAINS, SCUPPERS, FLASHING, SKYLIGHTS, & PARAMETER EDGE FLASHING ARE REQUIRED TO BE SEALED OR REINFORCED BY 3-COURSING WITH ACRYLIC GEL & POLYESTER FABRIC.



ACRYLIC COATING SYSTEM

EPDM ACRYLIC RESTORATION COATING SYSTEM

SEAL:

REV:

JOB NUMBER:

SCALE:

DATE: 09-25-17

DRAWN BY: DHALSELL

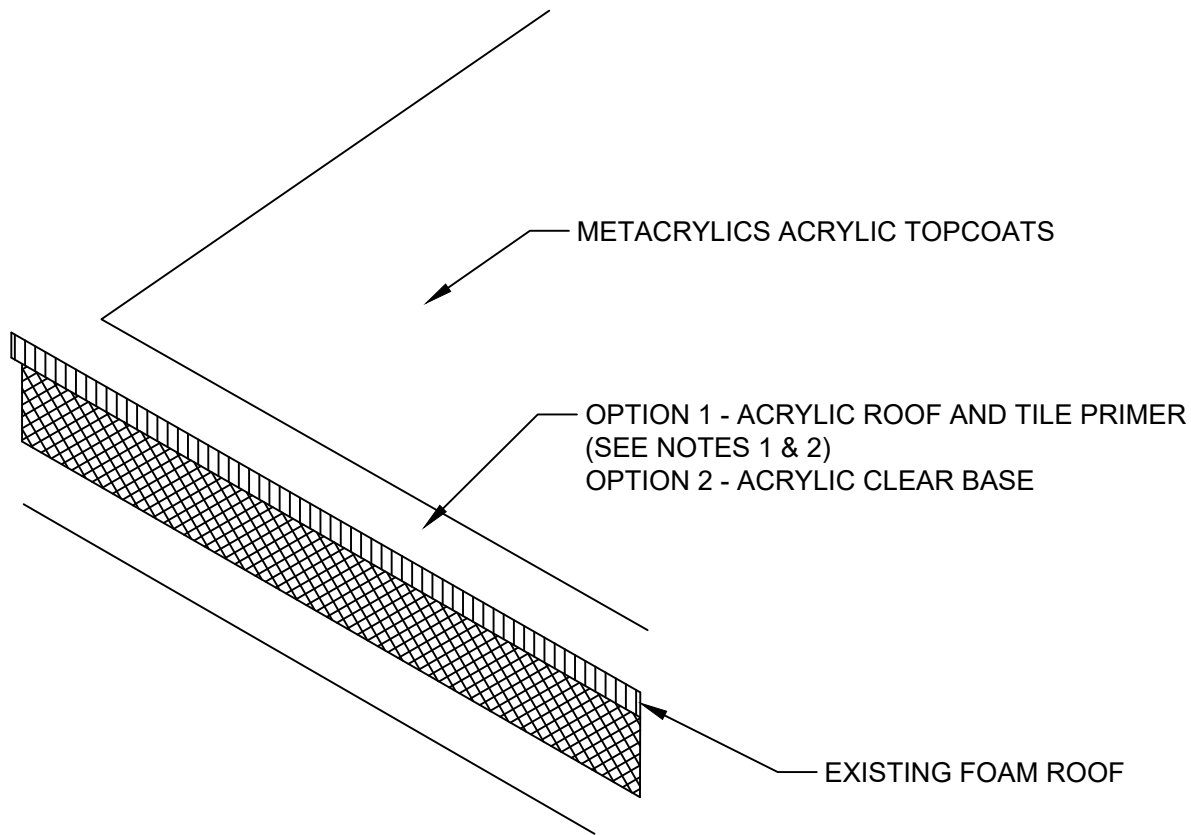
CHECKED BY:

SHEET:

A-05

NOTES:

1. FIELD SEAMS SHOULD BE SEALED AND REINFORCED BY EITHER 3-COURSING THE SEAM WITH ACRYLIC GEL AND POLYESTER FABRIC OR ACRYLIC BASE AND FABRIC.
2. ALL ROOF TOP PENETRATIONS, DRAINS, SCUPPERS, FLASHING, SKYLIGHTS, & PARAMETER EDGE FLASHING ARE REQUIRED TO BE SEALED OR REINFORCED BY 3-COURSING WITH ACRYLIC GEL & POLYESTER FABRIC.



**ACRYLIC
COATING
SYSTEM**

**FOAM ACRYLIC RESTORATION
COATING SYSTEM**

SEAL:

REV:

JOB NUMBER:

SCALE:

DATE: 09-25-17

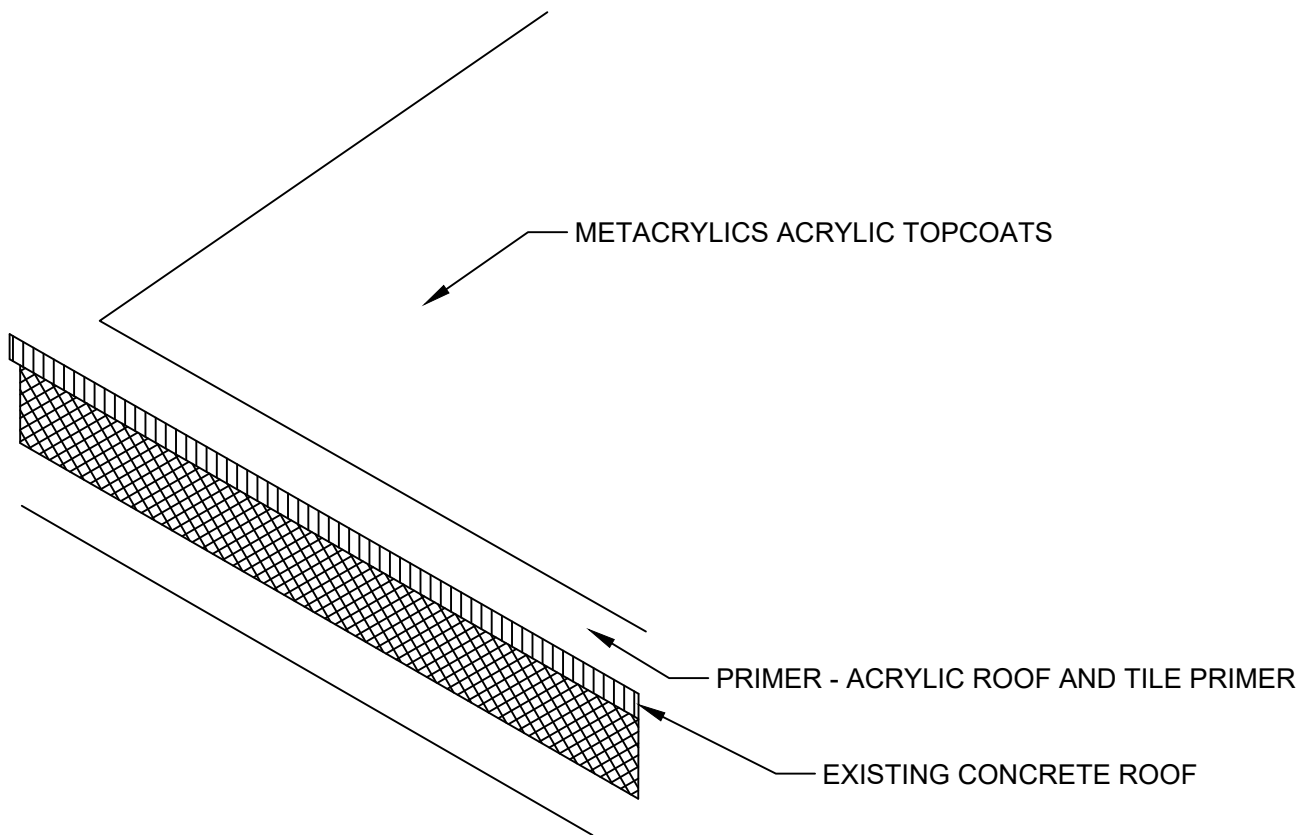
DRAWN BY: DHALSELL

CHECKED BY:

SHEET:
A-06

NOTES:

1. ALL ROOF TOP PENETRATIONS, DRAINS, SCUPPERS, FLASHING, SKYLIGHTS, & PARAMETER EDGE FLASHING ARE REQUIRED TO BE SEALED OR REINFORCED BY 3-COURSING WITH ACRYLIC GEL & POLYESTER FABRIC.
2. ALL EXISTING PONDING AREAS ARE RECOMMEND TO BE REINFORCED WITH POLYESTER FABRIC.



**ACRYLIC
COATING
SYSTEM**

**CONCRETE ACRYLIC RESTORATION
COATING SYSTEM**

SEAL:

REV:

JOB NUMBER:

SCALE:

DATE: 09-25-17

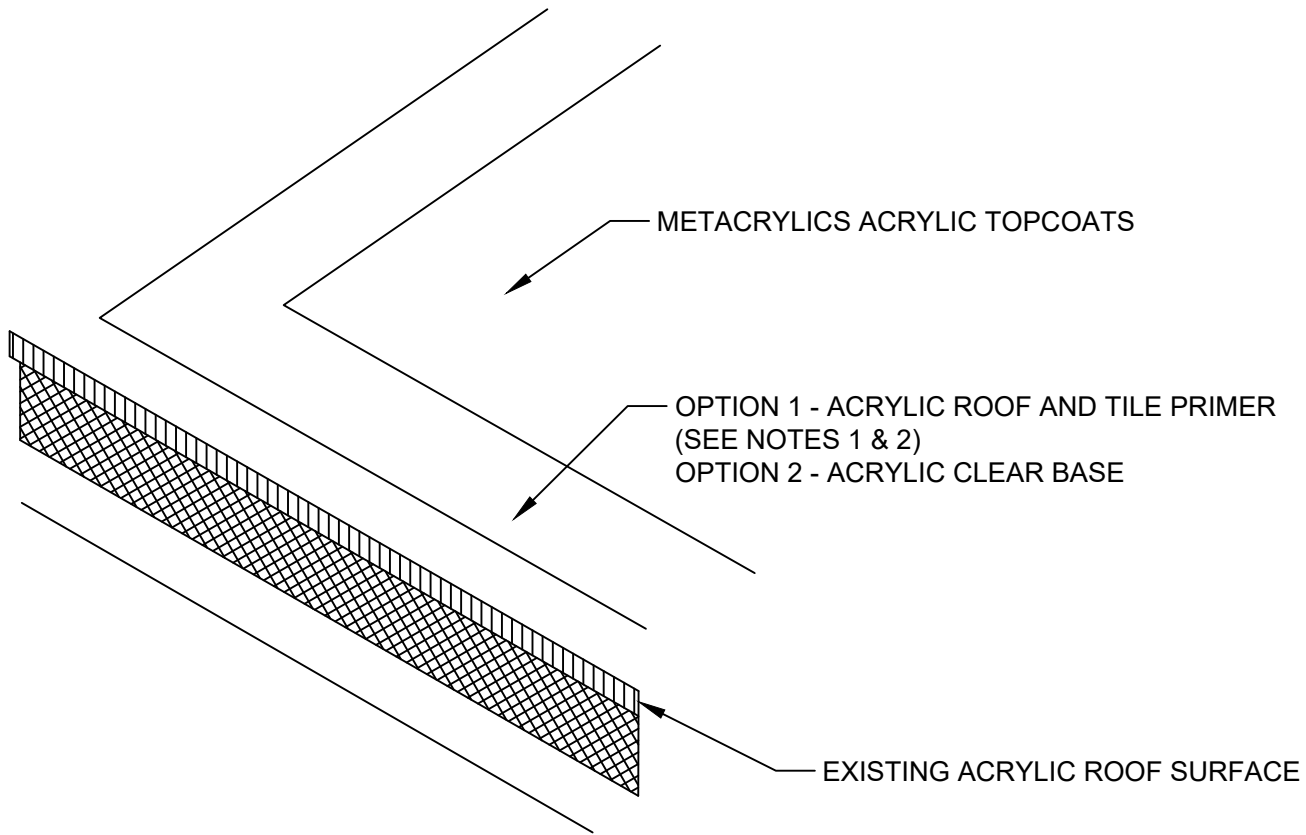
DRAWN BY: DHALSELL

CHECKED BY:

SHEET:
A-07

NOTES:

1. SPECIALTY PRIMERS WOULD BE REQUIRED IF EXISTING SURFACE REQUIRES SPECIAL TREATMENTS. FOR EXAMPLE, EFFERVESCENCE BLOCKER.
2. EXPANSION JOINTS AND HORIZONTAL/VERTICAL TRANSITIONS SHOULD BE SEALED AND REINFORCED BY EITHER 3-COURSING WITH ACRYLIC GEL AND POLYESTER FABRIC OR ACRYLIC BASE AND POLYESTER FABRIC.
3. ALL ROOF TOP PENETRATIONS, DRAINS, SCUPPERS, FLASHING, SKYLIGHTS, & PARAMETER EDGE FLASHING ARE REQUIRED TO BE SEALED OR REINFORCED BY 3-COURSING WITH ACRYLIC GEL AND POLYESTER FABRIC.



RE-COAT EXISTING ACRYLIC COATED SURFACE

ACRYLIC COATING SYSTEM

SEAL:

REV:

JOB NUMBER:

SCALE:

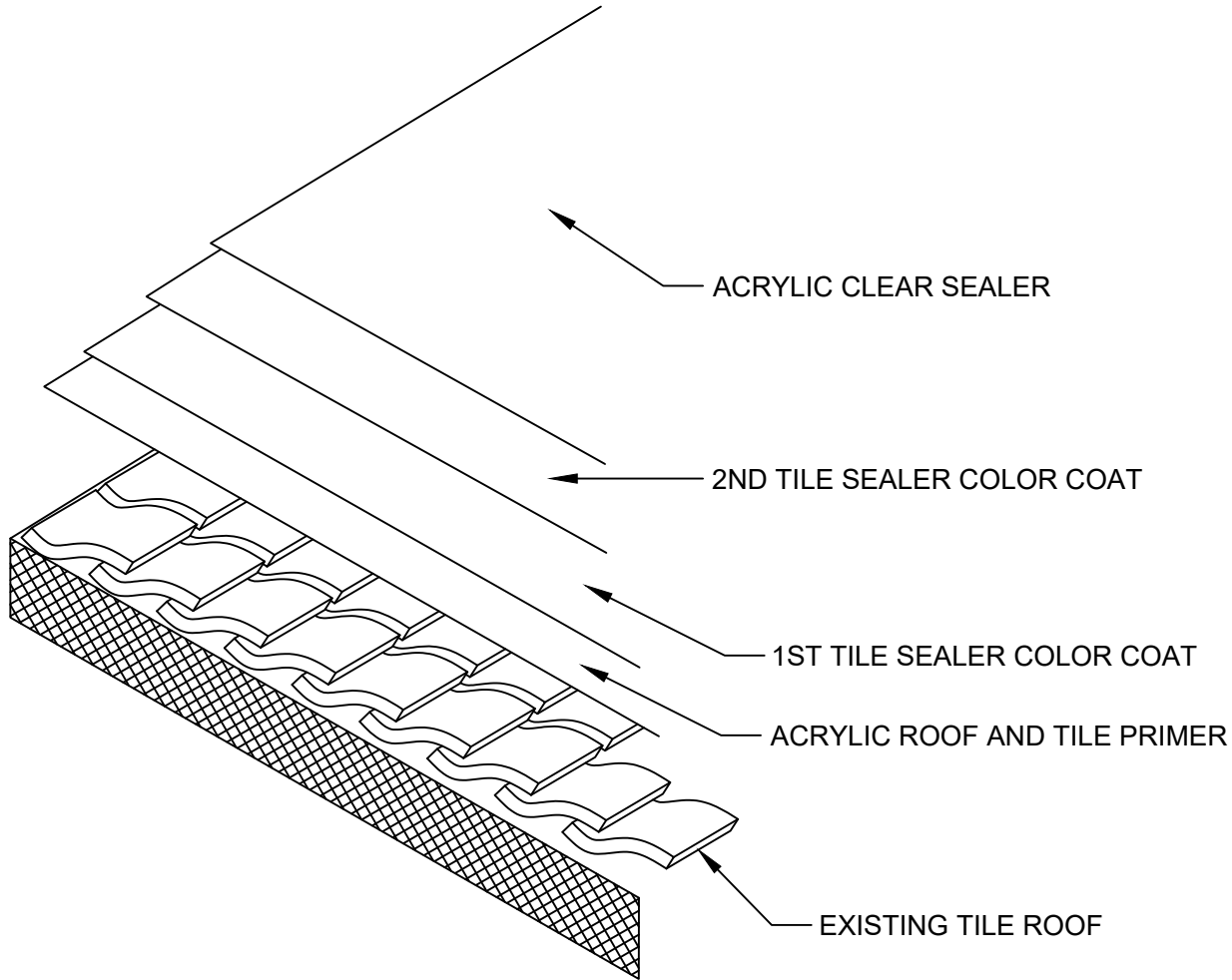
DATE: 09-25-17

DRAWN BY: DHALSELL

CHECKED BY:

SHEET:

A-08



**ACRYLIC
COATING
SYSTEM**

SEAL:

REV:

JOB NUMBER:

SCALE:

DATE: 09-25-17

DRAWN BY: DHALSELL

CHECKED BY:

SHEET:

A-09

**TILE ROOF RESTORATION
COATING SYSTEM**

NOTES:

1. ALL ROOF TOP PENETRATIONS, DRAINS, SCUPPERS, FLASHINGS, SKYLIGHTS, & PARAMETER EDGE METAL ARE TO BE SEALED AND REINFORCED BY 3-COURSING WITH METACRYLICS ACRYLIC GEL AND POLYESTER FABRIC.