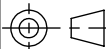


WGT: 75 LBS

GENERAL NOTES

DIMENSIONS ARE IN INCHES
TOLERANCES: LINEAR: ± 1/16
ANGULAR: ± 1°



SHEET SIZE
A

SCALE
1:18

REV



Kay Park Rec.

CONFIDENTIAL DRAWING.
INFORMATION IS NOT TO BE COPIED OR
DISCLOSED TO OTHERS WITHOUT
CONSENT OF KAY INDUSTRIES.
SPECIFICATIONS SUBJECT TO CHANGE
WITHOUT NOTICE.

DRAWN BY

JNB

6/4/2014

DESC:

6' STATIONARY BENCH

APPROVED

MATL:

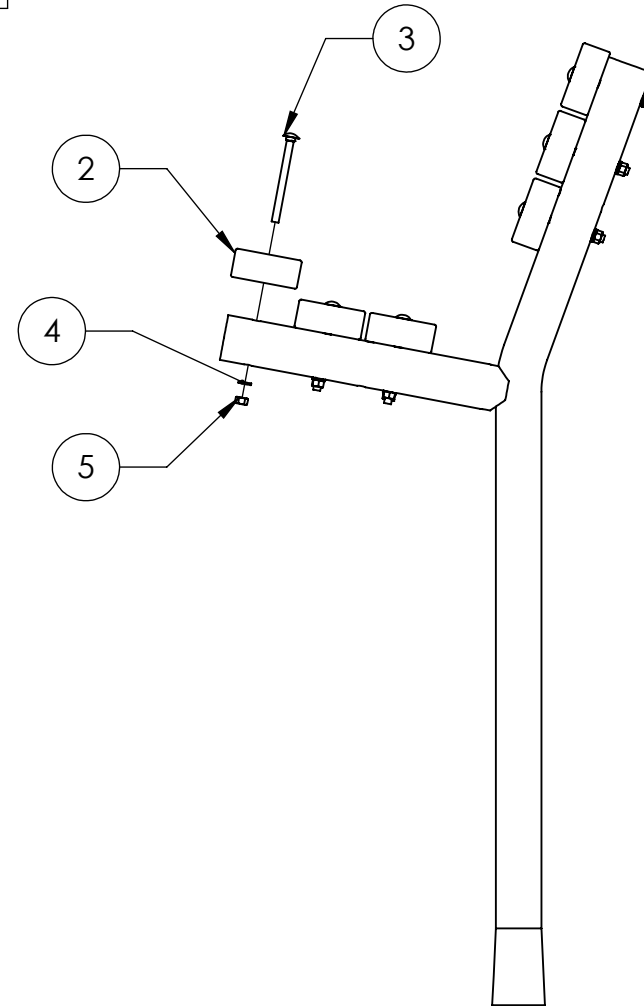
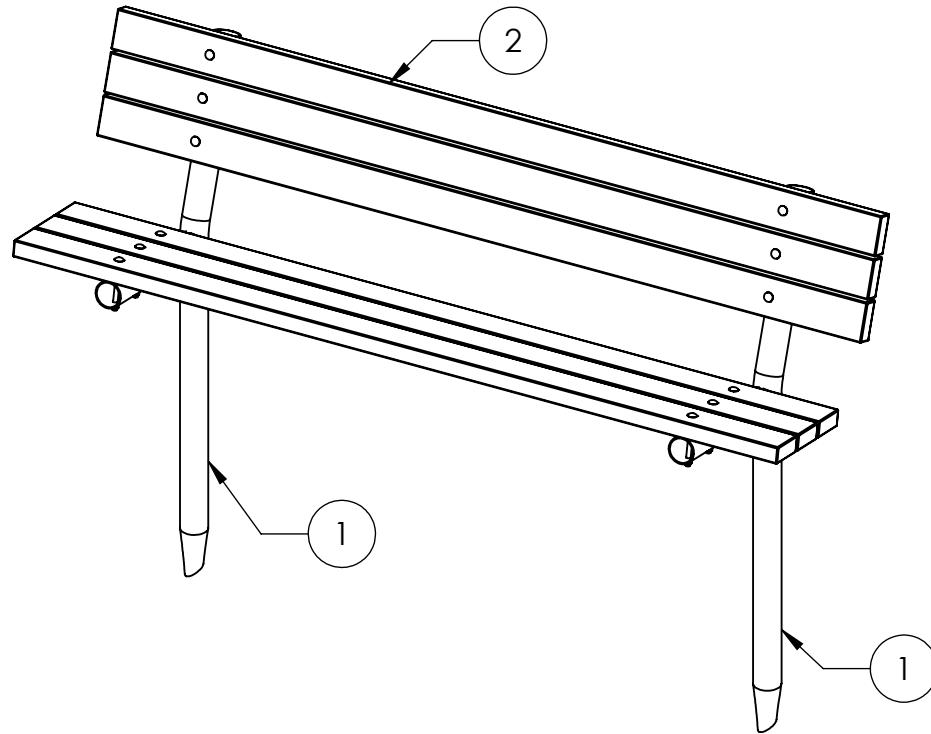
LAST SAVED

chrisbull

3/6/2019

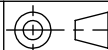
PART NO: 62SGPS

ITEM NO.	PART NUMBER	DESCRIPTION	QTY.
1	SG-SA1	STATIONARY BENCH LEG IN GROUND WITH BABK	2
2	6IPB-7	2"x 4" TREATED SOUTHERN YELLOW PINE	6
3	RHSNBOLT 0.375-16x4.5x1-N	RHSN CARRIAGE BOLT 3/8"-16 x 4 1/2"	12
4	LOCKW-3/8	LOCK WASHER 3/8"	12
5	HNUT 0.3750-16-D-N	HNUT 0.3750-16-D-N	12



GENERAL NOTES

DIMENSIONS ARE IN INCHES
TOLERANCES: LINEAR: ± 1/16
ANGULAR: ± 1°



SHEET SIZE

A

SCALE

1:16

REV



Kay Park Rec.

CONFIDENTIAL DRAWING.
INFORMATION IS NOT TO BE COPIED OR
DISCLOSED TO OTHERS WITHOUT
CONSENT OF KAY INDUSTRIES.
SPECIFICATIONS SUBJECT TO CHANGE
WITHOUT NOTICE.

DRAWN BY

JNB

6/4/2014

DESC:

6' STATIONARY BENCH

APPROVED

MATL:

LAST SAVED

chrisbull

3/6/2019

PART NO: 62SGPS