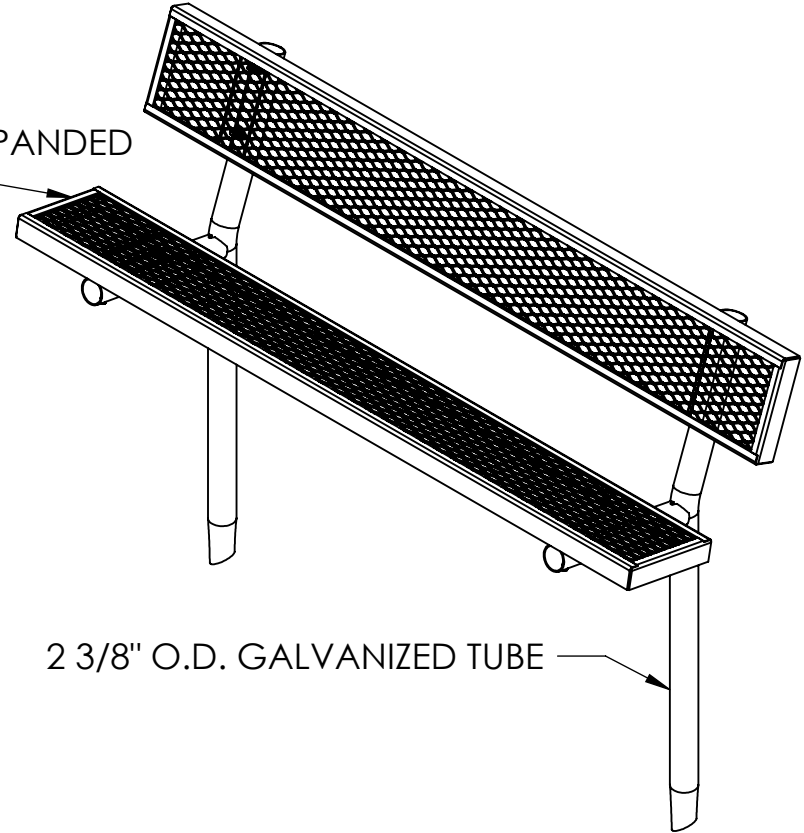


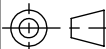
VINYL PLASTISOL COATED EXPANDED METAL SEAT AND BACK



2 3/8" O.D. GALVANIZED TUBE

GENERAL NOTES

DIMENSIONS ARE IN INCHES
TOLERANCES: LINEAR: ± 1/16
ANGULAR: ± 1°



CONFIDENTIAL DRAWING.
INFORMATION IS NOT TO BE COPIED OR
DISCLOSED TO OTHERS WITHOUT
CONSENT OF KAY INDUSTRIES.
SPECIFICATIONS SUBJECT TO CHANGE
WITHOUT NOTICE.

SHEET SIZE
A

SCALE
1:16

REV



Kay Park Rec.

DRAWN BY

JNB

6/2/2017

DESC:

6' STATIONARY VP BENCH

APPROVED

MATL:

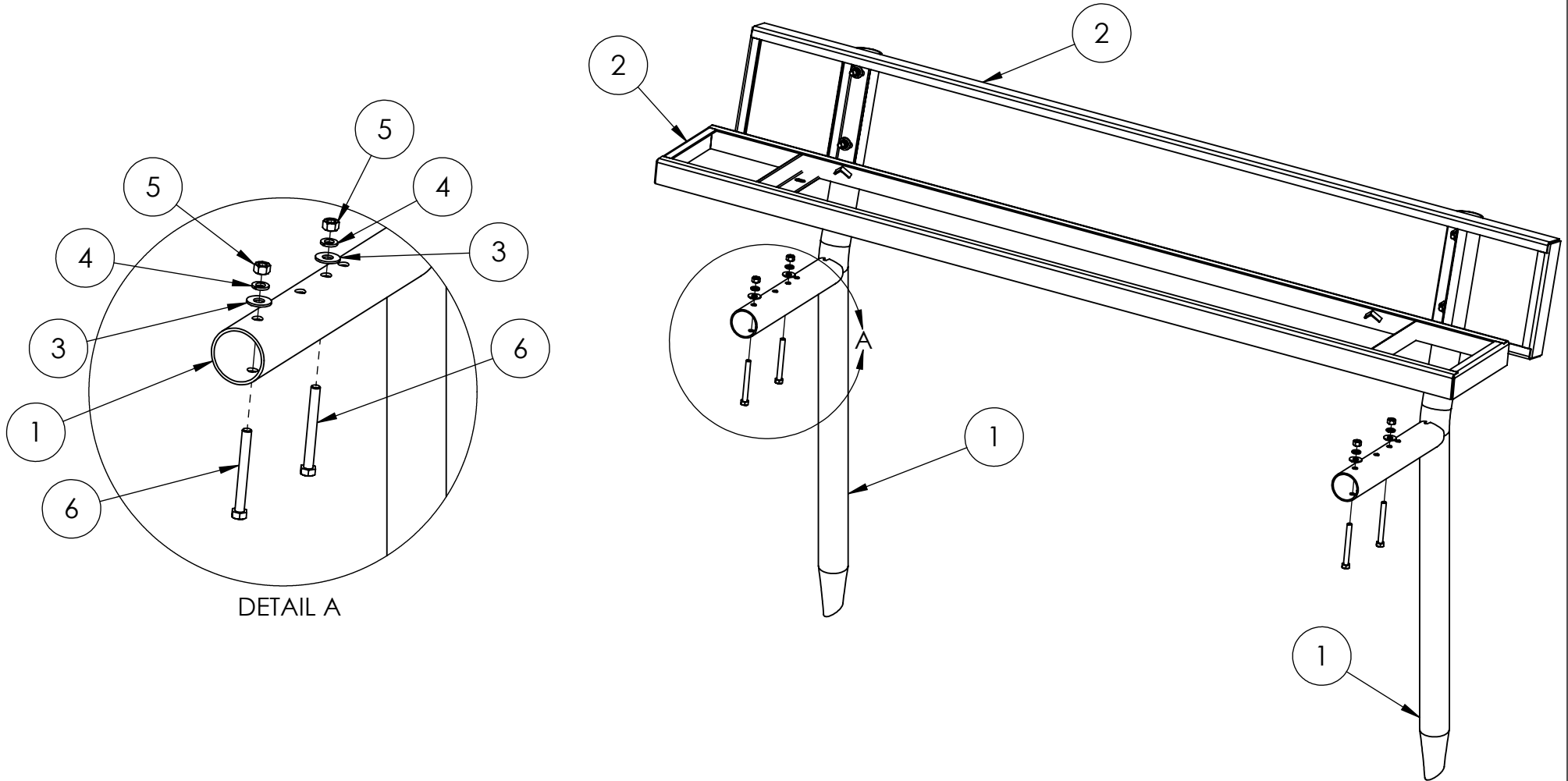
LAST SAVED

chrisbull

3/6/2019

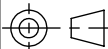
PART NO: 62SGVPB

ITEM NO.	PART NUMBER	DESCRIPTION	QTY.
1	SG-SA1	STATIONARY BENCH LEG IN GROUND WITH BABK	2
2	6IV-8	6' VP Seat	2
3	Preferred Wide FW 0.375	FLAT WASHER 3/8" WIDE	8
4	Regular LW 0.375	LOCK WASHER 3/8"	8
5	HNUT 0.3750-16-D-N	3/8"-16 HEX NUT	8
6	HBOLT 0.3750-16x3.5x1-N	HEX BOLT 3/8"-16x 3 1/2"	8



GENERAL NOTES

DIMENSIONS ARE IN INCHES
TOLERANCES: LINEAR: ± 1/16
ANGULAR: ± 1°



SHEET SIZE

A

SCALE

1:12

REV



Kay Park Rec.

CONFIDENTIAL DRAWING.
INFORMATION IS NOT TO BE COPIED OR
DISCLOSED TO OTHERS WITHOUT
CONSENT OF KAY INDUSTRIES.
SPECIFICATIONS SUBJECT TO CHANGE
WITHOUT NOTICE.

DRAWN BY

JNB

6/2/2017

DESC:

6' STATIONARY VP BENCH

APPROVED

MATL:

LAST SAVED

chrisbull

3/6/2019

PART NO: 62SGVPB