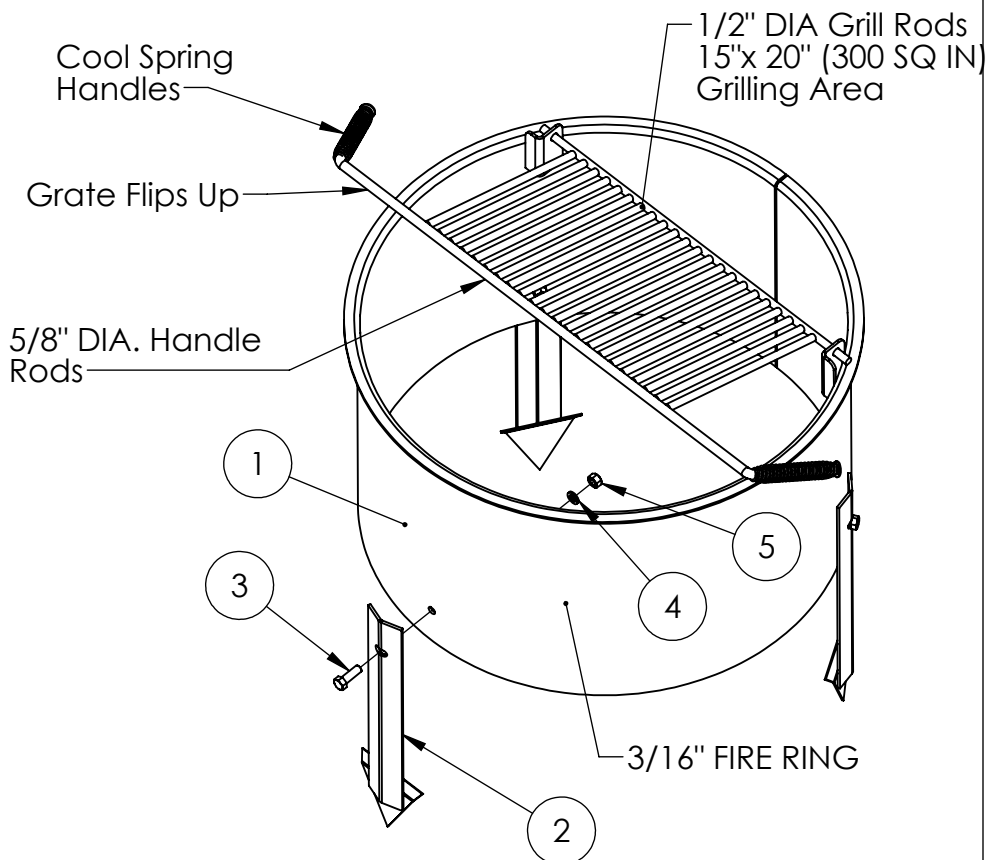
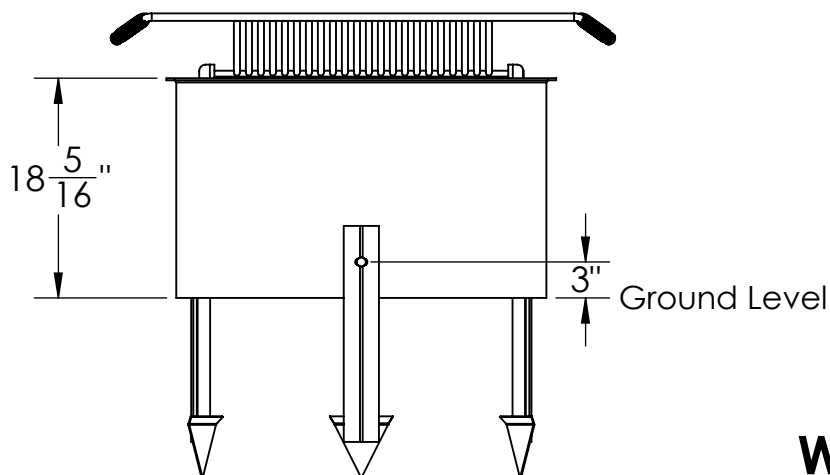
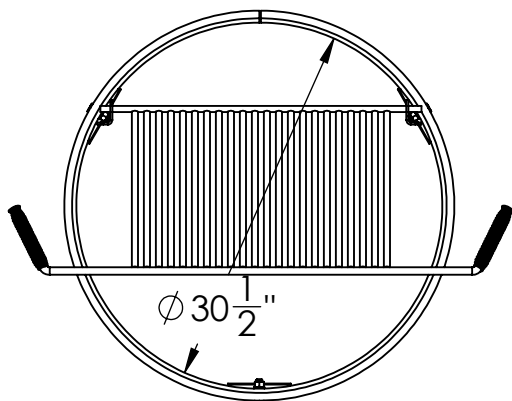


NO.	PART NUMBER	DESCRIPTION	MATERIAL	QTY.
1	FR18-SA4	WELDED GRIL ASSY ADA 18"		1
2	IFP-SAS	ANCHOR SPADE WELD ASSEMBLY		3
3	HBOLT 0.5000-13x1.5x1.25-N	1/2"-13x 1 1/2" HEX BOLT		3
4	Regular LW 0.5	1/2" REGULAR LOCK WASHER		3
5	HNUT 0.5000-13-D-N	1/2"-13 HEX LOCKNUT		3

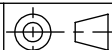


1. Before the assembly mark line on the ground the out side the grill for anchor spade placement and at as same time mark the center line where is bolts mount to grill.
2. Then take a hammer and insert the spade anchor into ground from outside line. Repeat this step with other spade anchors.
3. Place (3) 1/2" x 1 1/2" Hex Bolts into the hole of the Spade anchor and thorough the hole of base grill and other side use lock washer and nuts.

WGT: 126 LBS.

GENERAL NOTES

DIMENSIONS ARE IN INCHES
TOLERANCES: LINEAR: ± 1/16
ANGULAR: ± 1°



SHEET SIZE

A

SCALE

1:16

REV



K Industries, Inc.

CONFIDENTIAL DRAWING.
INFORMATION IS NOT TO BE COPIED OR
DISCLOSED TO OTHERS WITHOUT
CONSENT OF KAY INDUSTRIES.
SPECIFICATIONS SUBJECT TO CHANGE
WITHOUT NOTICE.

DRAWN BY

JNB

7/17/2017

DESC:

18" HC FIRE RING TILT BACK GRATE SPADE ANCHORS

APPROVED

MATL:

LAST SAVED

johnb

8/1/2017

PART NO: FR1830WCSAS