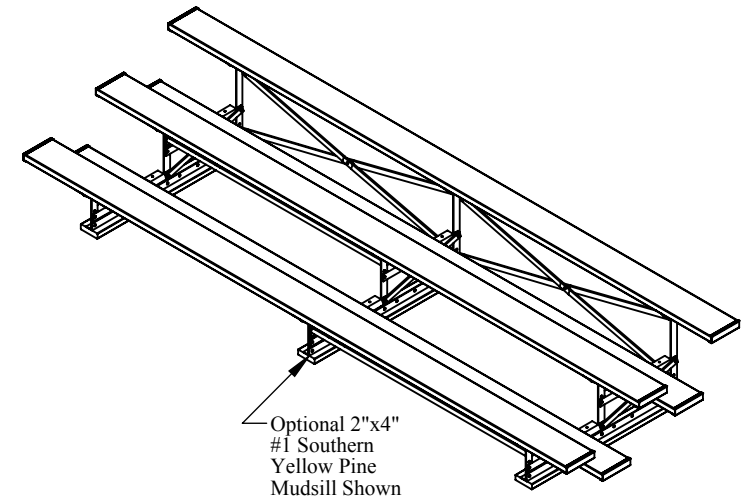


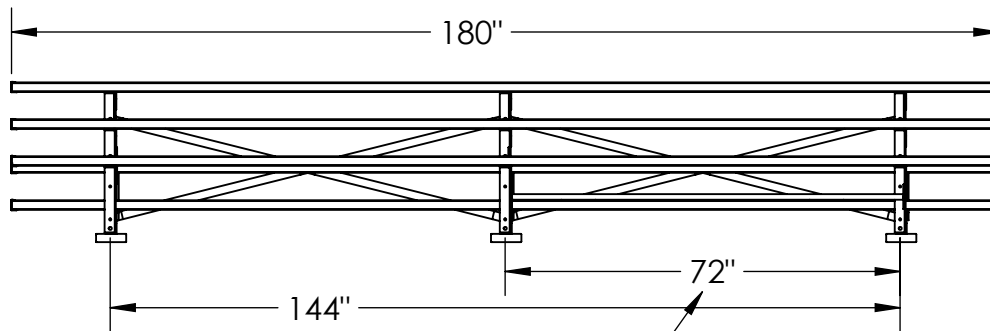
57"

Nominal 2"x10"x.078
Aluminum Alloy
6063 T6 Extruded
Single Foot Board
with a Mill Finish

Nominal 2"x10"x.078"
Aluminum Alloy 6063
T6 Extruded Seat
Plank with an
Anodized Finish



Optional 2"x4"
#1 Southern
Yellow Pine
Mudsill Shown

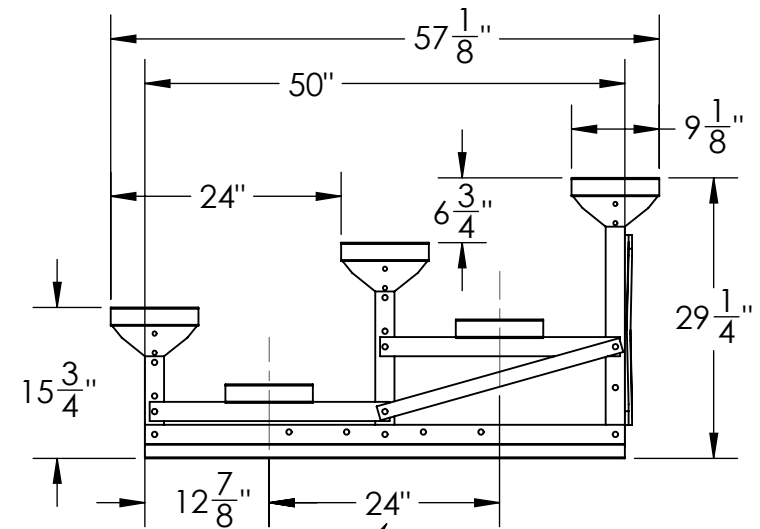


180"

144"

72"

Frame Anchor Spacing



57 1/8"

50"

9 1/8"

24"

6 3/4"

29 1/4"

15 3/4"

12 7/8"

24"

Frame Anchor Spacing

	Initials	Date	Kay Park-Rec Corp.	Spec Drawing	Model #: BLA3A15	Notes: This Drawing and all information contained herein is the property of Kay Park Rec. and is not to be reproduced without express written permission. Kay Park Rec. assumes no responsibility for unauthorized use of this drawing. Kay Park Rec. is not responsible for local permits and occupancy requirements.
Created:		12/17/2010	1301 Pine Street Janesville, IA 50647	Description: 3 Row 15 Foot Aluminum Frame Bleacher With Aluminum Planking, And Single Foot Boards.		
Saved:		3/16/2015	1-800-553-2476			
S:\CADDRWGS\Solidworks\Bleachers\BLA\BLA Assemblies\Bleachers (17in)			WWW.KAYPARK.COM	