

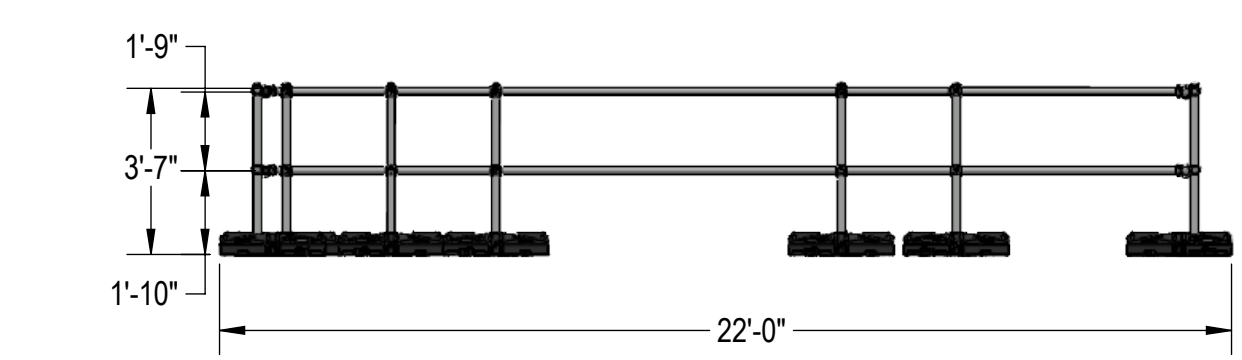
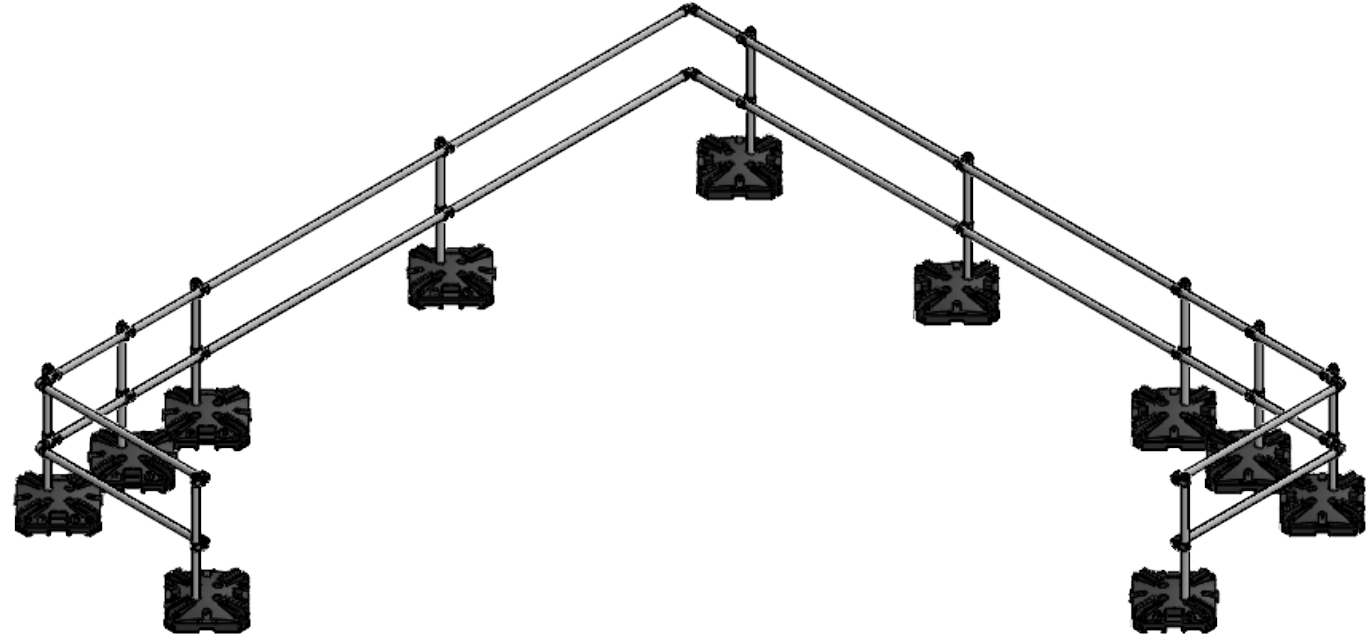
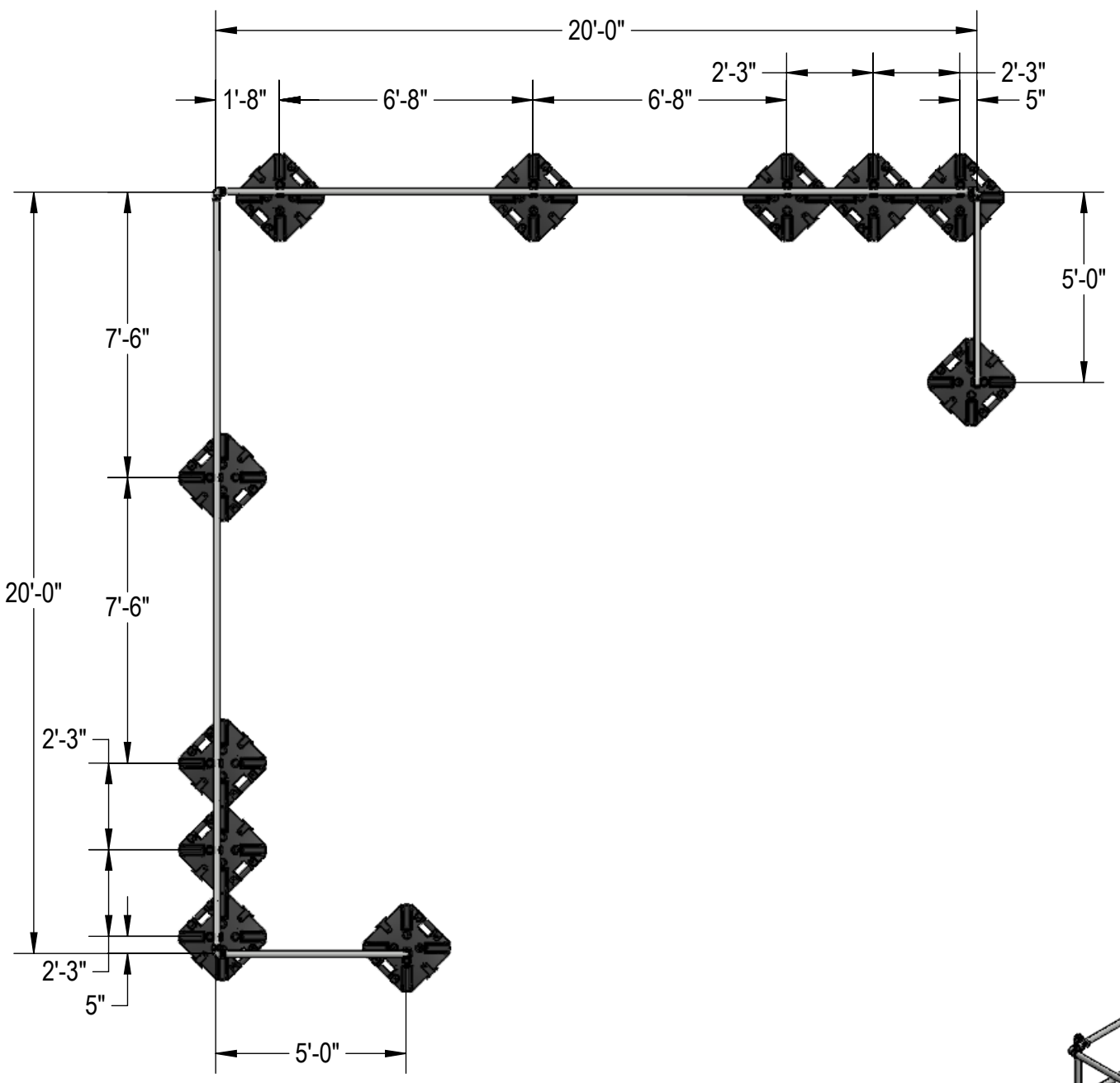
4

3

2

1

CONFIDENTIAL:
 THIS DRAWING AND THE INFORMATION IT CONTAINS IS CONFIDENTIAL. IT MUST NOT BE REPRODUCED, OR COPIED, OR USED FOR ANY OTHER PURPOSE WITHOUT THE WRITTEN PERMISSION OF KEE SAFETY.



REVISIONS	
0	FIRST ISSUE

Kee Safety
 Kee Safety, Inc.
 100 Stradman Street
 Buffalo, NY 14206
 Tel: (716) 896-4949
 Fax: (716) 896-5696
 Toll Free: (800) 851-5181
 www.keesafety.com
 Email: info@keesafety.com

SOLD TO:
 END USER:
 INSTALL ADDRESS:

TITLE: **KG CONTRACTOR
 20'X20'**

SCALE	DATE	DRAWN	CHECKED
PG1			

KG TO BE PLACED 20" FROM ROOF EDGE - PARAPET ASSUMED TO BE LESS THAN 6" HIGH

OSHA 1910.29

4

3

2

1

B

B

A

A