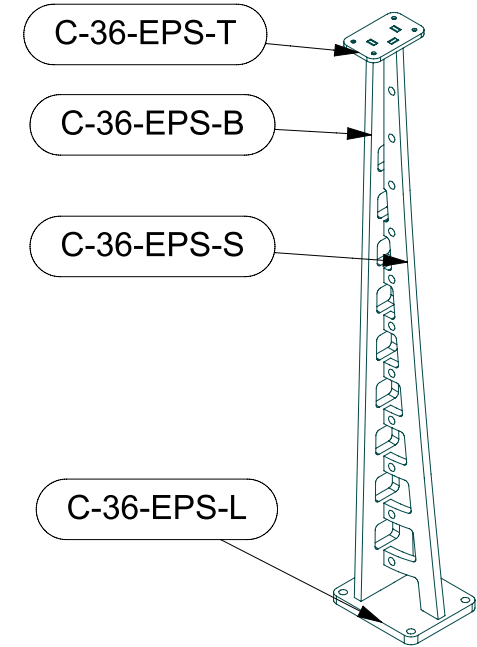
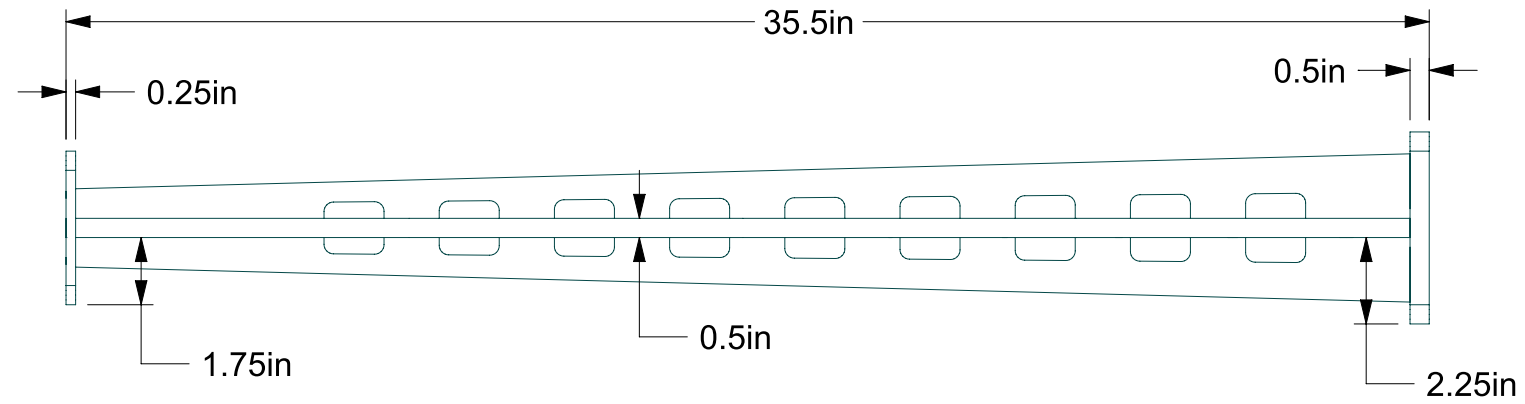
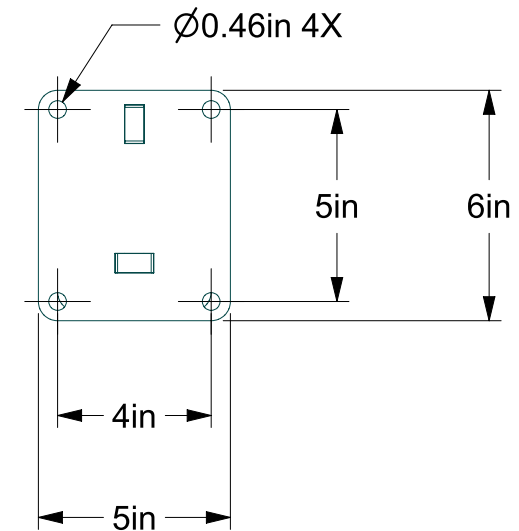
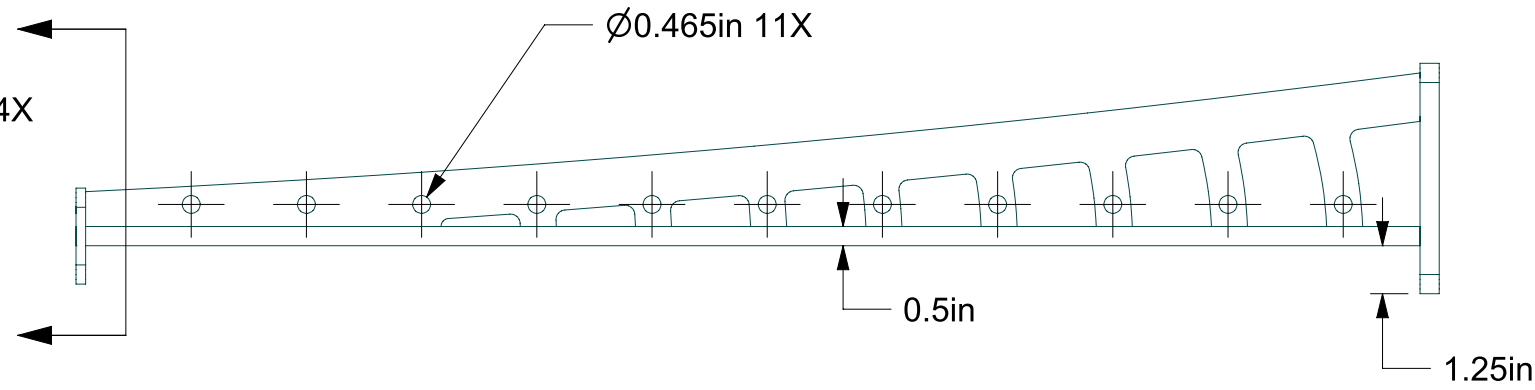
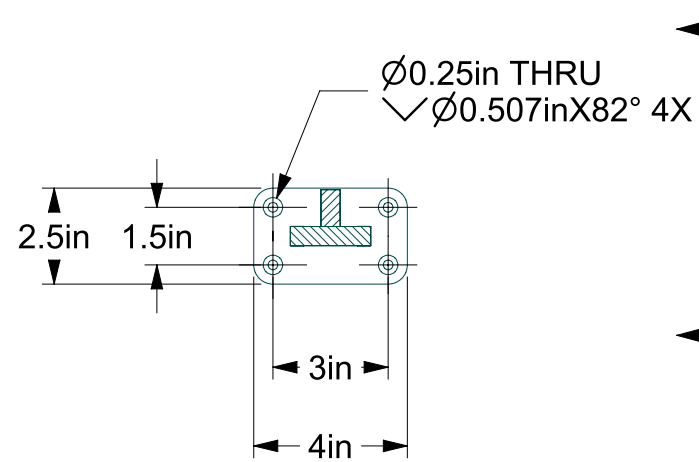


ITEM NO.	PART NUMBER	QTY
1	C-36-EPS-B	1
2	C-36-EPS-L	1
3	C-36-EPS-S	1
4	C-36-EPS-T	1



SCALE 1:10



NOTES:
STANDARD MATERIAL & FINISH:
- A-36 STEEL POWDER COATED

ADDITIONAL MATERIAL OPTIONS:
- A-36 STEEL GALVINIZED
- TYPE 304 STAINLESS STEEL
- TYPE 316 STAINLESS STEEL

MATERIAL: SEE NOTE
FINISH: SEE NOTE
COLOR:
LOCATION:
QUANTITY:

KEUKA STUDIOS
FINE ARCHITECTURAL METAL WORK

1011 Rush Henrietta Townline Road
Rush, NY 14543
P: 1-855-454-5678
F: 585-487-6150
www.keuka-studios.com

PROJECT: C-36-EPS
PART: C-36-EPS
DRAWN BY: JT
DATE: 4/15/16
REVISION: B
SCALE: 1:5
SIZE: B

SHEET: 1 OF: 1

COPYRIGHT © 2016 BY KEUKA STUDIOS INC. ALL RIGHTS RESERVED. THESE DOCUMENTS ARE THE PROPERTY OF KEUKA STUDIOS INC. NO DISTRIBUTION IS PERMITTED WITHOUT WRITTEN APPROVAL FROM KEUKA STUDIOS INC.