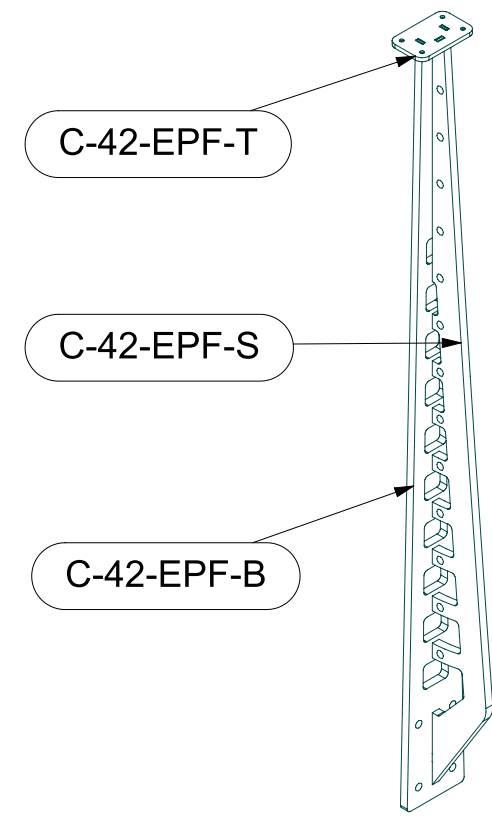
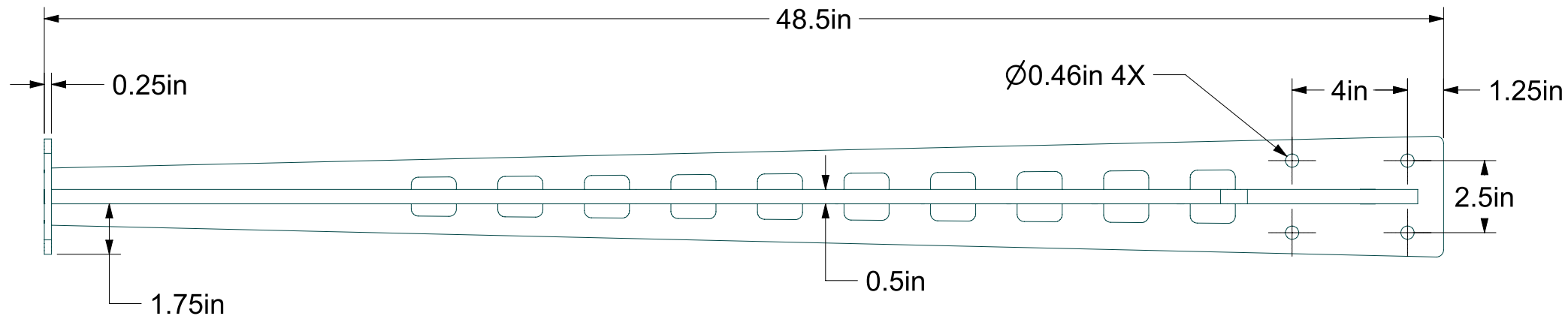
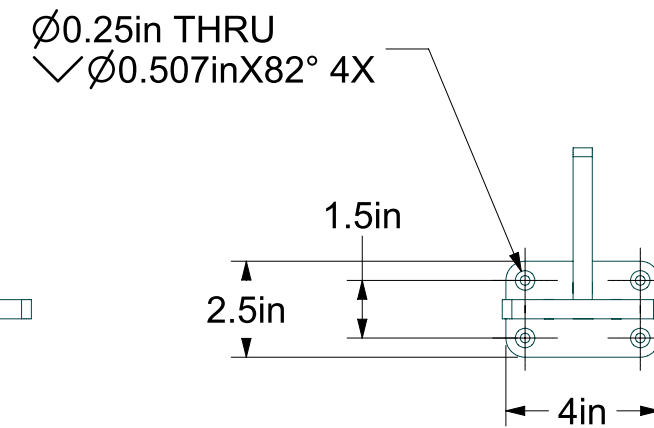
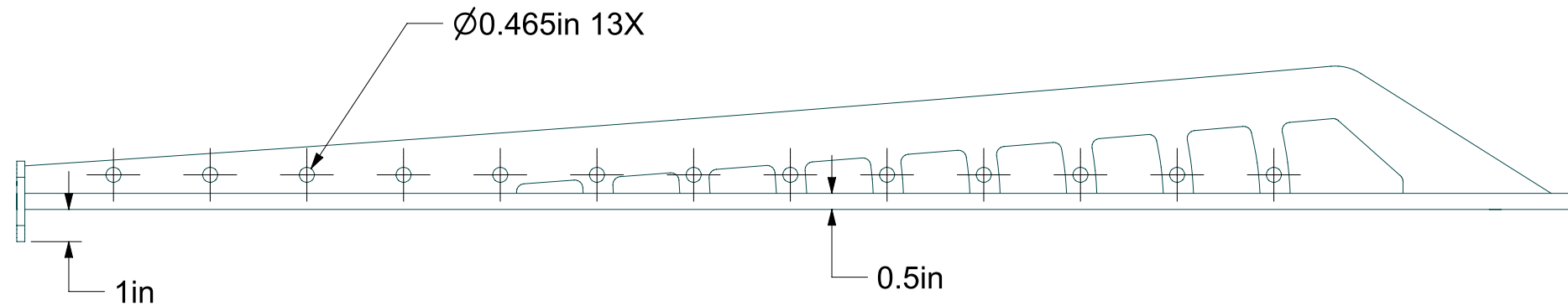


ITEM NO.	PART NUMBER	QTY
1	C-42-EPF-B	1
2	C-42-EPF-S	1
3	C-42-EPF-T	1



SCALE 1:10



NOTES:
STANDARD MATERIAL & FINISH:
- A-36 STEEL POWDER COATED

ADDITIONAL MATERIAL OPTIONS:
- A-36 STEEL GALVINIZED
- TYPE 304 STAINLESS STEEL
- TYPE 316 STAINLESS STEEL

PROJECT: C-42-EPF		MATERIAL: SEE NOTE	
PART: C-42-EPF		FINISH: SEE NOTE	
DRAWN BY: JT		COLOR:	
DATE: 4/15/16		LOCATION:	
REVISION:		QUANTITY:	
SCALE: 1:5			
SIZE: B			
<p>KEUKA STUDIOS FINE ARCHITECTURAL METAL WORK</p> <p>1011 Rush Henrietta Townline Road Rush, NY 14543 P: 1-855-454-5678 F: 585-487-6150 www.keuka-studios.com</p>			
<p><small>COPYRIGHT © 2016 BY KEUKA STUDIOS INC. ALL RIGHTS RESERVED. THESE DOCUMENTS ARE THE PROPERTY OF KEUKA STUDIOS INC. NO DISTRIBUTION IS PERMITTED WITHOUT WRITTEN APPROVAL FROM KEUKA STUDIOS INC.</small></p>			
SHEET: 1	OF: 1		