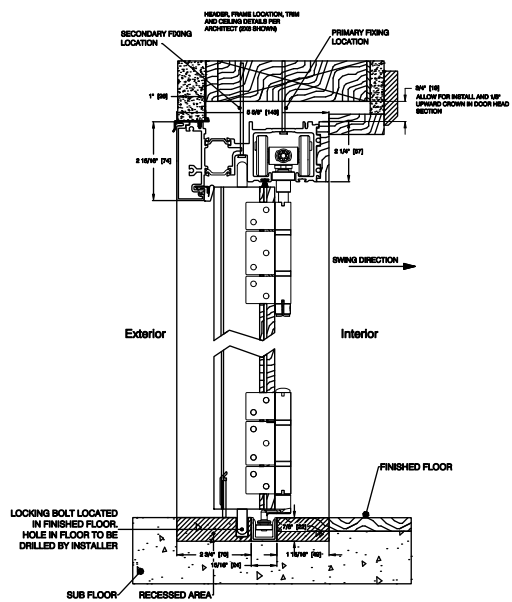


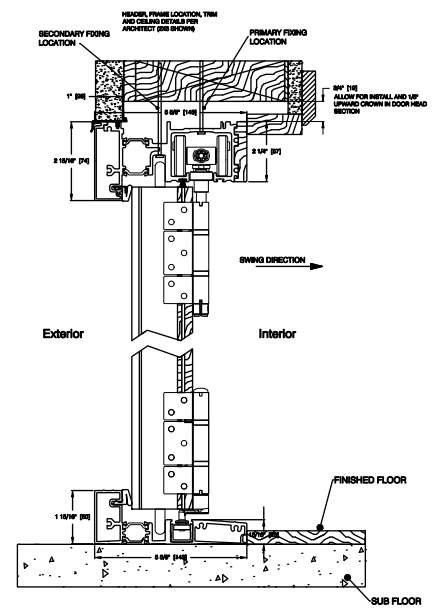
2817 Ocean Front Blvd., Suite 114
 Oceanside, CA 92058
 P: 760.754.1887
 F: 760.754.1891

SYSTEM: ALUMINUM WOOD	SWING: INSWING
SILL: RAMP SILL	DATE: 08-16-12
	DRAWN BY: GD



2817 Ocean Front Blvd., Suite 114
 Oceanside, CA 92058
 P: 760.754.1887
 F: 760.754.1891

SYSTEM: ALUMINUM WOOD	SWING: INSWING
SILL: GUIDE CHANNEL SILL	DATE: 07-17-12
	DRAWN BY: GD



2817 Ocean Front Blvd., Suite 114
 Oceanside, CA 92058
 P: 760.754.1887
 F: 760.754.1891

SYSTEM: ALUMINUM WOOD	SWING: INSWING
SILL: STANDARD SILL	DATE: 07-18-12
	DRAWN BY: GD